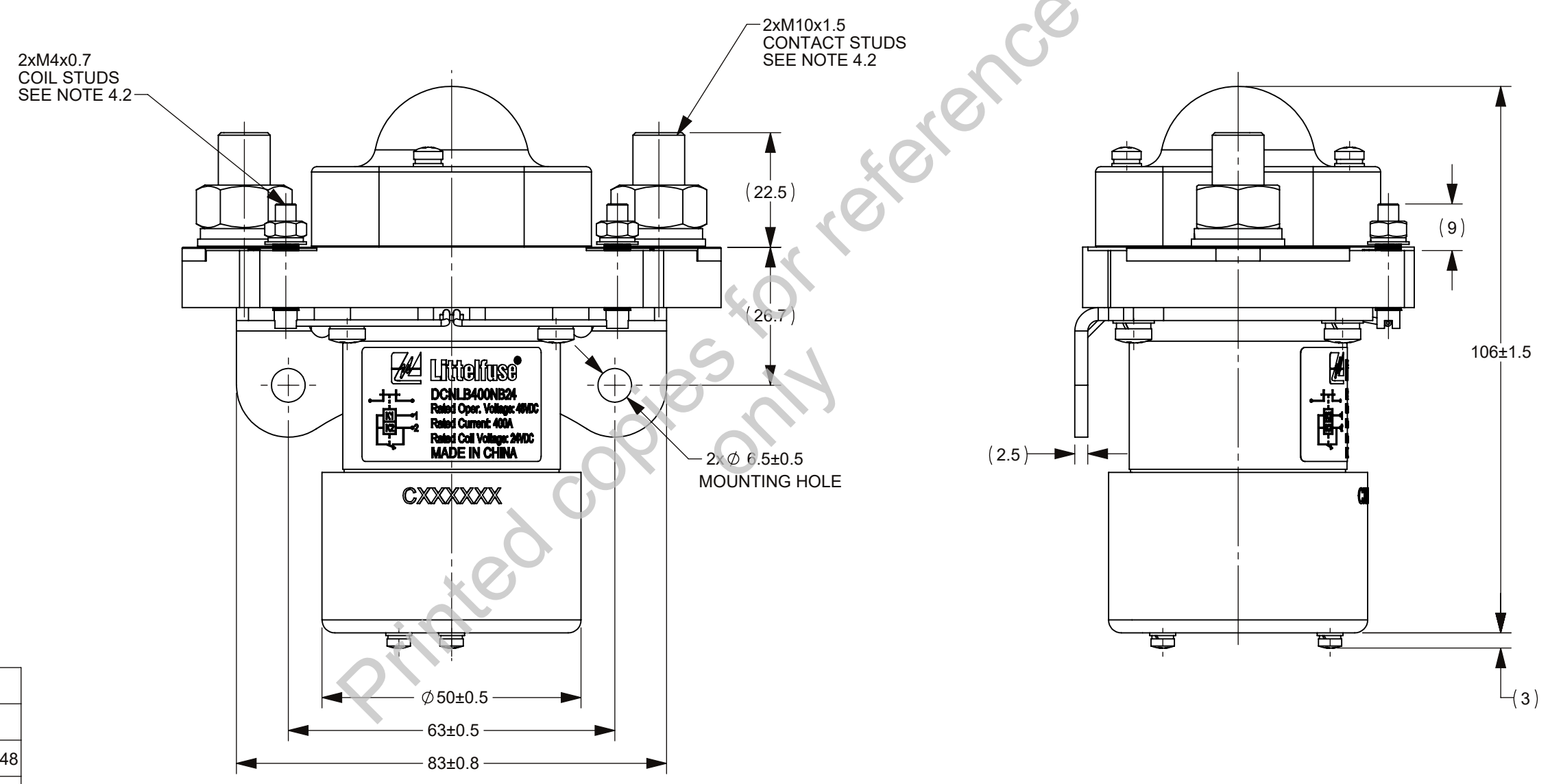
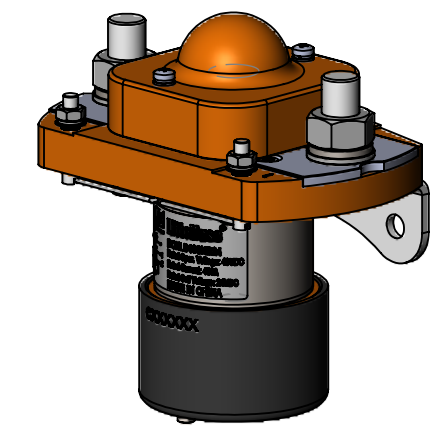
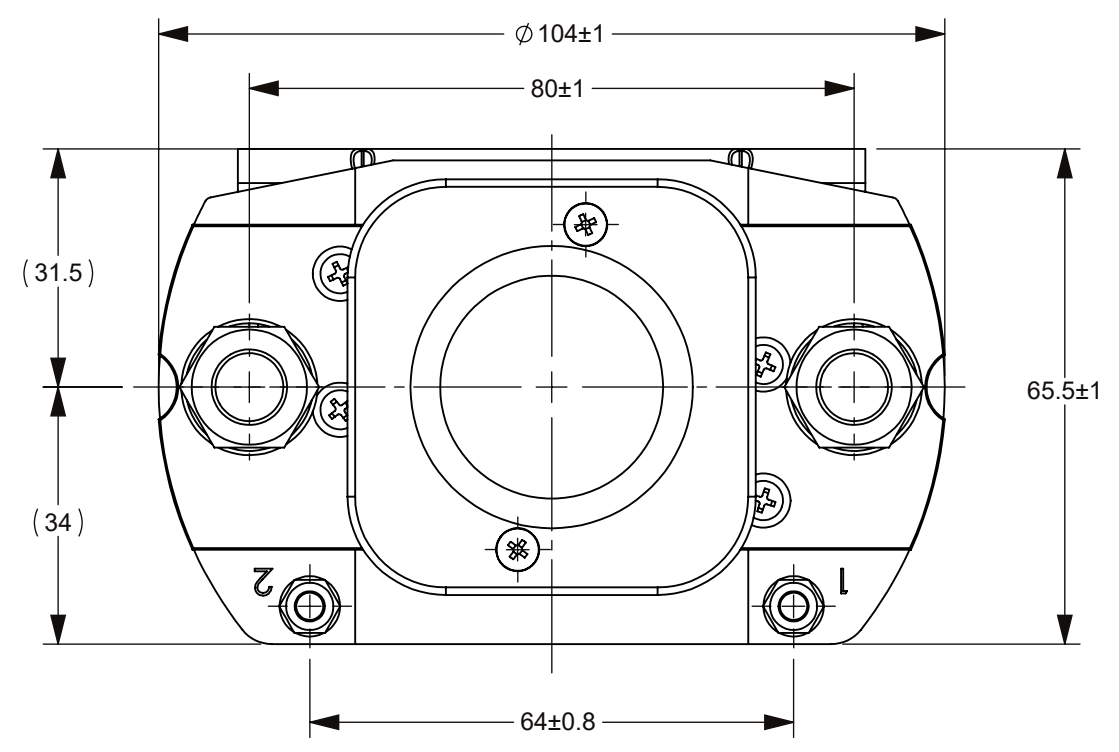


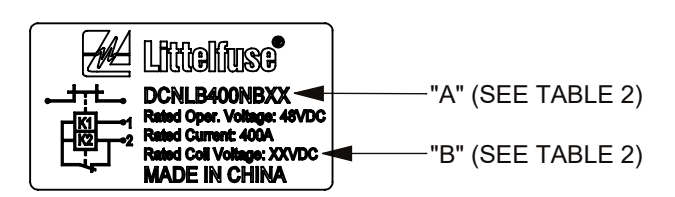
REVISIONS				
ZONE	REV.	DESCRIPTION	DATE	APPROVED
	A	GCF#525119 INITIAL RELEASE	JAN/21/2022	D. ZHANG
A6	B	ECR-100355 ADJUST TORQUE OF CONTACT STUDS	JUN/21/2022	D. ZHANG



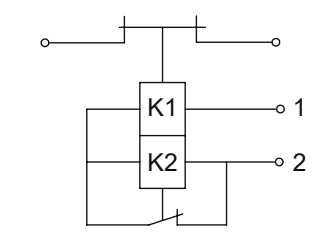
ITEM	PARAMETER	
	DCNLB400NB24	DCNLB400NB48
HOLD POWER	START POWER	MAX 180W
	MAINTAIN POWER	MAX 8W
MAXIMUM CONTACT VOLTAGE	60V DC	
RATED CONTACT VOLTAGE	48V DC	48V DC
RATED CONTACT CURRENT	400A	
RATED COIL VOLTAGE	24V DC	48V DC
● OPERATING VOLTAGE IN COLD STATE @ (20±5)°C	PICKUP	17V DC MAX 34V DC MAX
	RELEASE	2V DC MIN 4V DC MIN
OPERATE TIME	MAX 50ms	
RELEASE TIME	MAX 30ms	
BOUNCE TIME	MAX 5ms	
CONTACT VOLTAGE DROP	≤50mV@100 A	
LIMIT BREAKING ABILITY	4le/5ms, 1CYCLES	
DIELECTRIC STRENGTH	1000V AC, 50Hz, 1min., LEAKAGE CURRENT ≤1 mA	
INSULATION RESISTANCE	≥50MΩ@500VDC	
ELECTRIC LIFE	6,000 CYCLES@48V DC	
MECHANICAL LIFE	100,000 CYCLES	
WORKING DUTY	CONTINUOUS	

NO.	PN	NAME PLATE	
		"A" OF NAME PLATE	"B" OF NAME PLATE
1	DCNLB400NB24	DCNLB400NB24	24V DC
2	DCNLB400NB48	DCNLB400NB48	48V DC

- NOTES:
- ALL SIZES ARE FOR REFERENCE ONLY.
  - SEE TABLE 2 FOR CONFIGURATION OF NAME PLATE, OPERATING VOLTAGE AND PNs.
  - MATERIALS AND FINISHING:
    - 1 BASE: THERMOSETTING PLASTIC, UL94V-0.
    - 2 CONTACTS: SILVER ALLOY.
    - 3 COIL STUD: COPPER ALLY, SILVER PLATED.
  - PRODUCT TECHNICAL PARAMETERS: SEE TABLE 1.
  - CONTACT ARRANGEMENT: SPST-NC.
  - CONNECTION STUD: M10 STUD, RECOMMENDED TORQUE 10 N•m ~ 13 N•m; M4 STUD, RECOMMENDED TORQUE 1.7 N•m ~ 2.5 N•m.
  - MOUNTING: M6 BOLT, RECOMMENDED TORQUE 6.8 N•m ~ 7.8 N•m.



CIRCUIT SCHEMATIC DIAGRAM



PER CHN-PD-008 PROCEDURE

● FITI / FUNCTION CRITICAL CHARACTERISTICS

<S> SAFETY / COMPLIANCE CRITICAL CHARACTERISTICS SYMBOL

CPK DENOTES CPK DIMENSIONS MINIMUM CPK VALUE

(ST) DENOTES A CHARACTERISTIC THAT PROVIDES AN INDICATION OF PROCESS PERFORMANCE PROCEDURE FOR MEASUREMENT AND TRACKING TO BE DEFINED IN LITTELFUSE INSPECTION INSTRUCTIONS

CP DENOTES CP DIMENSIONS. MINIMUM CP VALUE MUST BE WITHIN THE DIMENSIONAL LIMITATIONS SHOWN ON DRAWING AND INITIALLY LOCATED TO ALLOW FOR MAXIMUM TOOL LIFE

NAME	DATE
DRAWN: B. WU	JAN/21/2022
CHECKED: J. LI	JAN/21/2022

**Littelfuse**  
Expertise Applied | Answers Delivered

FORM NO. CVP-PE40-0005 REV B  
THIRD ANGLE PROJECTION

TITLE: DCNL 400A 48V CONTACTOR

DO NOT SCALE DRAWING

SCALE: 1:1

SHEET 1 OF 1