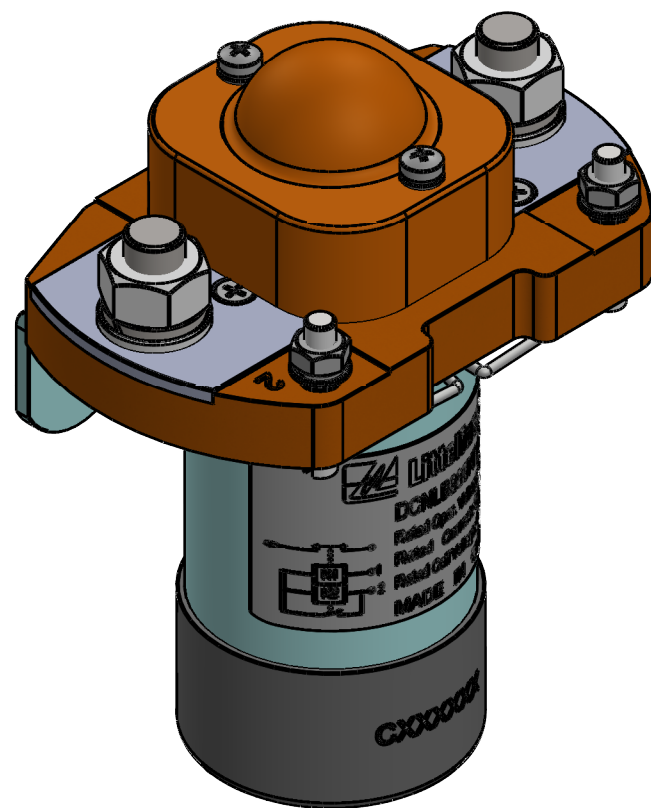
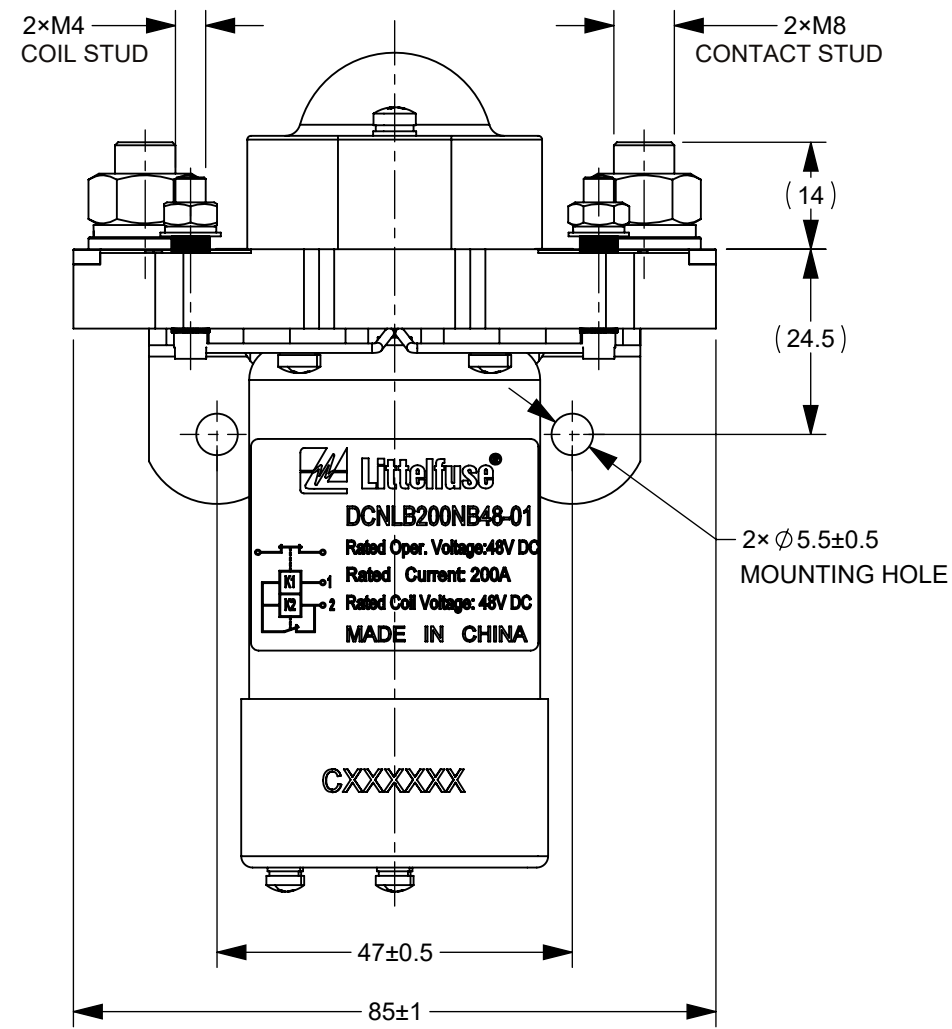
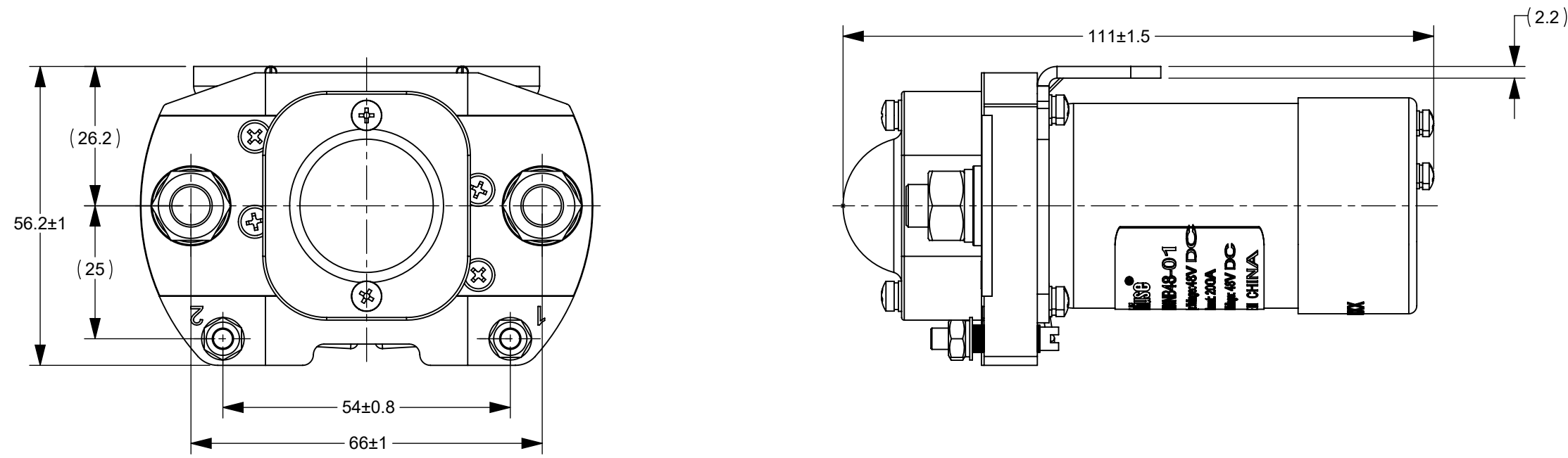


REVISIONS				
ZONE	REV.	DESCRIPTION	DATE	APPROVED
	A	GCF#524592 INITIAL RELEASE	SEP./23/2021	D. ZHANG



- NOTES:
- ALL SIZES ARE FOR REFERENCE ONLY.
  - MATERIALS AND FINISHING:
    - BASE: THERMOSETTING PLASTIC, UL94V-0.
    - CONTACTS: SILVER ALLOY.
    - COIL STUD: COPPER ALLY, SILVER PLATED.
  - PRODUCT TECHNICAL PARAMETERS: SEE TABLE 1.
    - CONTACT ARRANGEMENT: SPST-NC.
    - CONNECTION STUD: M8 STUD, RECOMMENDED TORQUE 9 N·m ~ 11 N·m; M4 STUD, RECOMMENDED TORQUE 1.7 N·m ~ 2.5 N·m.
    - MOUNTING: M5 BOLT, RECOMMENDED TORQUE 4 N·m ~ 5 N·m.

CIRCUIT SCHEMATIC DIAGRAM

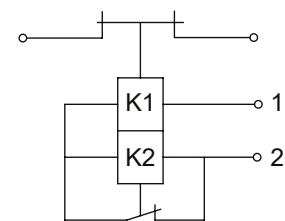


TABLE 1: TECHNICAL PARAMETERS		
ITEM	PARAMETER	
MAXIMUM CONTACT VOLTAGE	60V DC	
RATED CONTACT VOLTAGE	48V DC	
RATED CONTACT CURRENT	200A	
RATED COIL VOLTAGE	48V DC	
HOLD POWER	START POWER	MAX 230W
	MAINTAIN POWER	MAX 8W
OPERATING VOLTAGE IN COLD STATE AT (20±5)°C	PICKUP: 34V DC MAX	
	RELEASE: 4V DC MIN	
OPERATE TIME	MAX 30ms	
RELEASE TIME	MAX 30ms	
BOUNCE TIME	MAX 12ms	
CONTACT VOLTAGE DROP	≤50mV@100 A	
LIMIT BREAKING ABILITY	4le/5ms,1CYCLES	
DIELECTRIC STRENGTH	1000V AC, 50Hz,1min., LEAKAGE CURRENT ≤1 mA	
INSULATION RESISTANCE	≥50MΩ@500VDC	
ELECTRIC LIFE	3000 CYCLES	
MECHANICAL LIFE	100,000 CYCLES	
WORKING DUTY	CONTINUOUS	

DIMENSIONS ARE SHOWN IN MILLIMETERS. DIMENSIONS AND TOLERANCES ARE DEFINED ACCORDING TO ANSI/ASME Y14.5-1994.		
●	FIT/ FUNCTION CRITICAL CHARACTERISTICS	
<S>	SAFETY/ COMPLIANCE CRITICAL CHARACTERISTICS SYMBOL	
CPK	DENOTES CPK DIMENSIONS MINIMUM CPK VALUE	
(ST)	DENOTES A CHARACTERISTIC THAT PROVIDES AN INDICATION OF PROCESS PERFORMANCE PROCEDURE FOR MEASUREMENT AND TRACKING TO BE DEFINED IN LITTELFUSE INSPECTION INSTRUCTIONS	
CP	DENOTES CP DIMENSIONS. -MINIMUM CP VALUE MUST BE WITHIN THE DIMENSIONAL LIMITATIONS SHOWN ON DRAWING AND INITIALLY LOCATED TO ALLOW FOR MAXIMUM TOOL LIFE	
PER CHNFPD20-008 PROCEDURE		
NAME	DATE	
DRAWN JY. SHI	SEP./8/2021	
CHECKED J. LI	SEP./15/2021	
FORM NO. CVP-PE40-0005 REV B		
THIRD ANGLE PROJECTION		
SIZE C	DWG. NO. OUTLINE	REV. A
DO NOT SCALE DRAWING	SCALE 1:1	SHEET 1 OF 1



TITLE DCNLB 200A 48V 48V COIL CONTACTOR