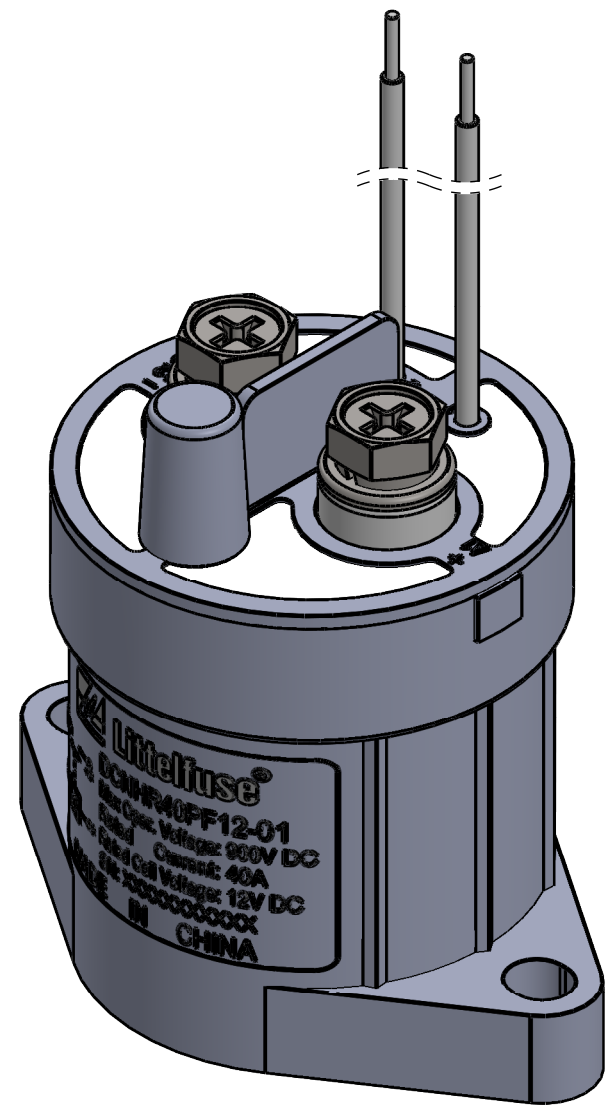
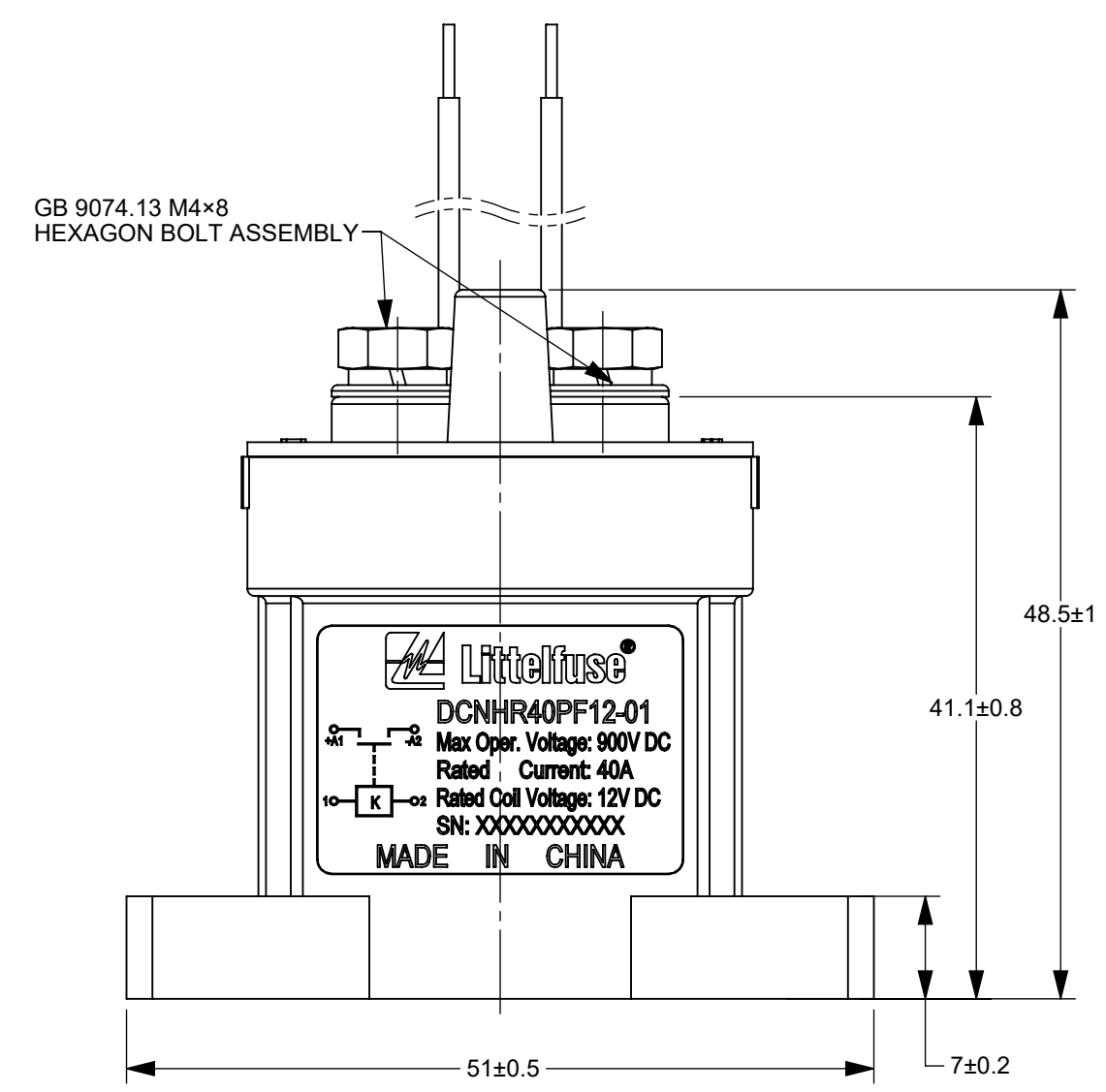
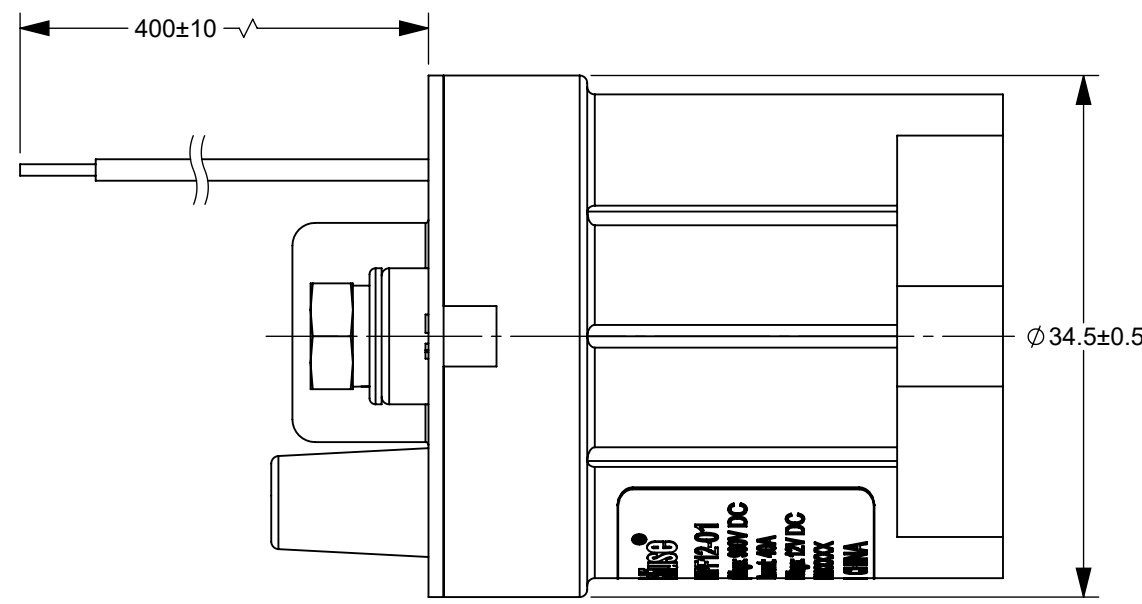
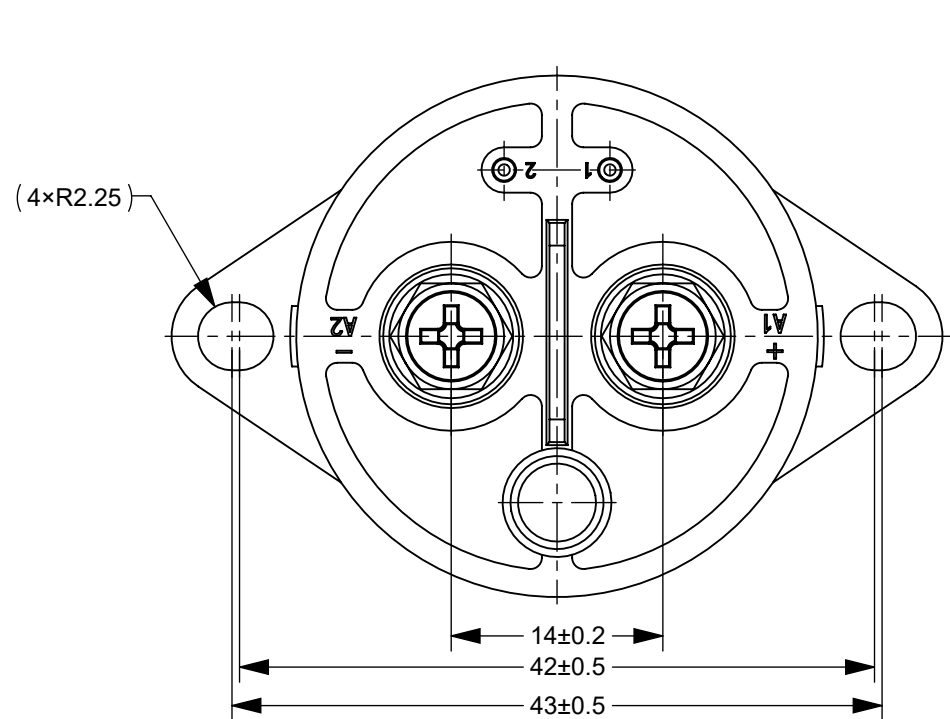
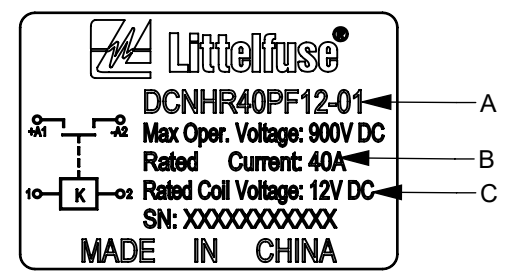
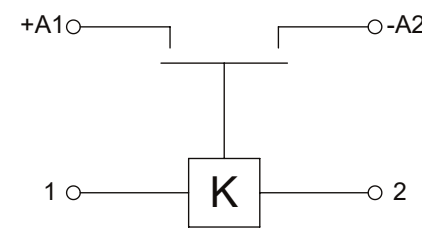


REVISIONS				
ZONE	REV.	DESCRIPTION	DATE	APPROVED
	A	GCF#524714 INITIAL RELEASE	NOV./25/2021	D. ZHANG



CIRCUIT SCHEMATIC DIAGRAM



NAME PLATE

TABLE 1

PN	DCNHR40PF12-01 DCNHR30PF12-01 DCNHR20PF12-01	DCNHR40PF24-01 DCNHR30PF24-01 DCNHR20PF24-01	DCNHR40PF48-01 DCNHR30PF48-01 DCNHR20PF48-01
MAX OPER. VOLTAGE	900V DC		
RATED CONTACT CURRENT	DCNHR40PF SERIES: 40A DCNHR30PF SERIES: 30A DCNHR20PF SERIES: 20A		
COIL RATED VOLTAGE	12V DC	24V DC	48V DC
OPERATING VOLTAGE IN COLD STATE @ (23±5)°C	OPERATE	9V DC MAX	18V DC MAX
	RELEASE	1V DC MIN	2V DC MIN
OPERATE TIME	25ms MAX		
CONTACT BOUNCE TIME	7ms MAX		
RELEASE TIME	12ms MAX		
MAIN CONTACT RESISTANCE(@ 20A)	≤2mΩ		
INSULATION RESISTANCE @ 500 V (INITIAL)	≥100MΩ		
DIELECTRIC STRENGTH (LEAKAGE CURRENT≤1 mA)	2200V AC, 1 MINUTE		
ELECTRIC LIFE	DCNHR40PF SERIES	6000 CYCLES (40A @ 450V DC)	
	DCNHR30PF SERIES	7500 CYCLES (30A @ 450V DC)	
	DCNHR20PF SERIES	10000 CYCLES (20A @ 450V DC)	
MECHANICAL LIFE(NO LOAD, CYCLES)	200,000		
WORKING DUTY	CONTINUOUS		

TABLE 2 (CONFIGURATION)

NO.	PN	"A"	"B"	"C"	REMARK
1	DCNHR40PF12-01	DCNHR40PF12-01		Coil Voltage: 12V DC	
2	DCNHR40PF24-01	DCNHR40PF24-01	Rated Current: 40A	Coil Voltage: 24V DC	
3	DCNHR40PF48-01	DCNHR40PF48-01		Coil Voltage: 48V DC	
4	DCNHR30PF12-01	DCNHR30PF12-01		Coil Voltage: 12V DC	
5	DCNHR30PF24-01	DCNHR30PF24-01	Rated Current: 30A	Coil Voltage: 24V DC	
6	DCNHR30PF48-01	DCNHR30PF48-01		Coil Voltage: 48V DC	
7	DCNHR20PF12-01	DCNHR20PF12-01		Coil Voltage: 12V DC	
8	DCNHR20PF24-01	DCNHR20PF24-01	Rated Current: 20A	Coil Voltage: 24V DC	
9	DCNHR20PF48-01	DCNHR20PF48-01		Coil Voltage: 48V DC	

- NOTES:
- ALL DIMENSIONS ARE REFERENCE ONLY.
 - SEE TABLE 2 FOR NAME PLATE AND PNs
 - PRODUCT TYPE: SPST-NO. POLAR CONTACTOR.
 - MATERIALS AND FINISH:
 - 1 HOUSING: THERMOPLASTIC PLASTICS.
 - 2 CONTACTS: COPPER ALLOY.
 - 3 CONTACT STUDS: STAINLESS STEEL.
 - 4 COIL TERMINALS: TEFLON WIRE UL1332 22AWG-WHITE.
 - 5 MAIN CONTACT M5 STUD, TORQUE: 1.7~2N·m.
 - 6 MOUNTING: M4 BOLT, RECOMMENDED TORQUE 1.8 ~ 2.3N·m.
 - 7 CONTACTOR PARAMETERS ARE SHOWN IN TABLE 1.

DIMENSIONS ARE SHOWN IN MILLIMETERS. DIMENSIONS AND TOLERANCES ARE DEFINED ACCORDING TO ANSIA/ASME Y14.5-1994.

PER CHNFPD20-008 PROCEDURE

- FIT/ FUNCTION CRITICAL CHARACTERISTICS
- <S> SAFETY/ COMPLIANCE CRITICAL CHARACTERISTICS SYMBOL
- CPK DENOTES CPK DIMENSIONS MINIMUM CPK VALUE
- (ST) DENOTES A CHARACTERISTIC THAT PROVIDES AN INDICATION OF PROCESS PERFORMANCE PROCEDURE FOR MEASUREMENT AND TRACKING TO BE DEFINED IN LITTELFUSE INSPECTION INSTRUCTIONS
- CP DENOTES CP DIMENSIONS. MINIMUM CP VALUE MUST BE WITHIN THE DIMENSIONAL LIMITATIONS SHOWN ON DRAWING AND INITIALLY LOCATED TO ALLOW FOR MAXIMUM TOOL LIFE

NAME	DATE
JY. SHI	NOV./25/2021
CHECKED	J. LI
	NOV./15/2021

FORM NO. CVP-PE40-005 REV B

THIRD ANGLE PROJECTION

DO NOT SCALE DRAWING

SCALE 2:1

SHEET 1 OF 1

Littelfuse
Expertise Applied | Answers Delivered

TITLE: DCNHR 40A POLAR CONTACTOR

SIZE: C

DWG. NO.: OL-DCNHR40PF, CHART 2

REV. A