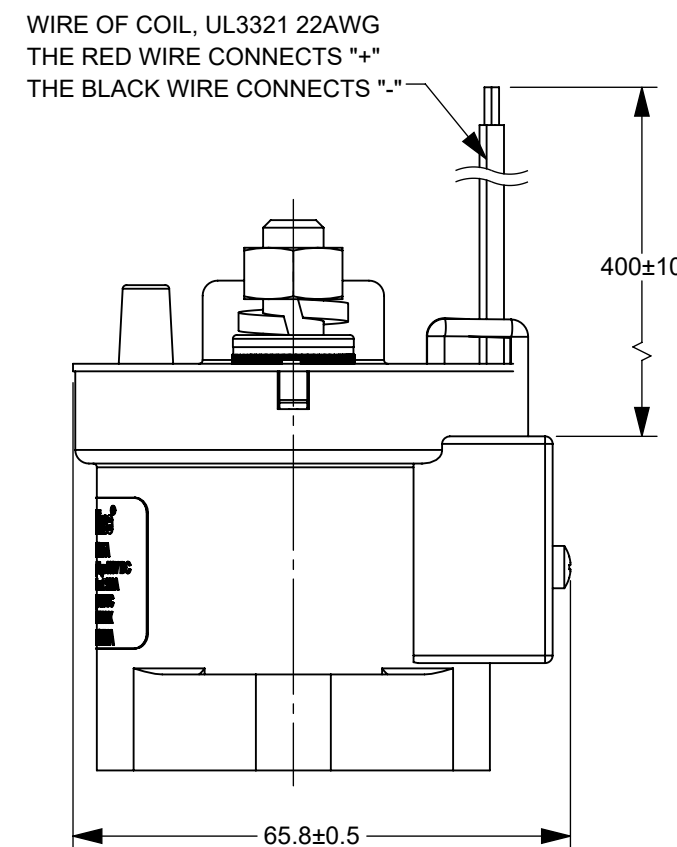
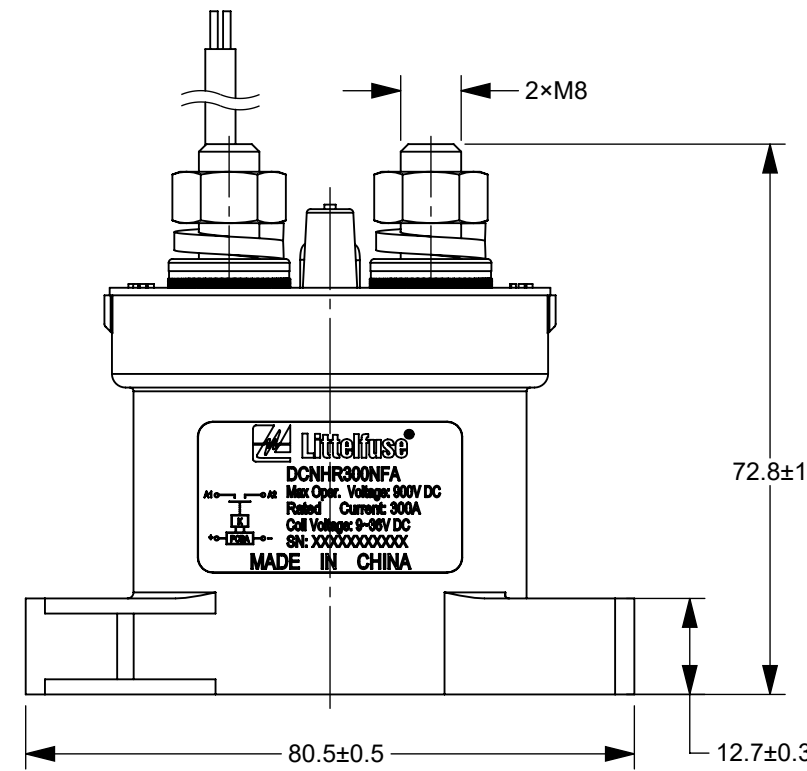
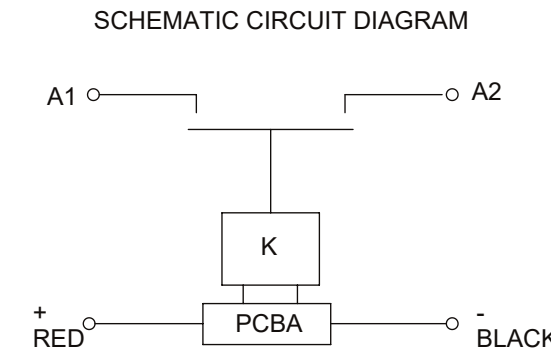
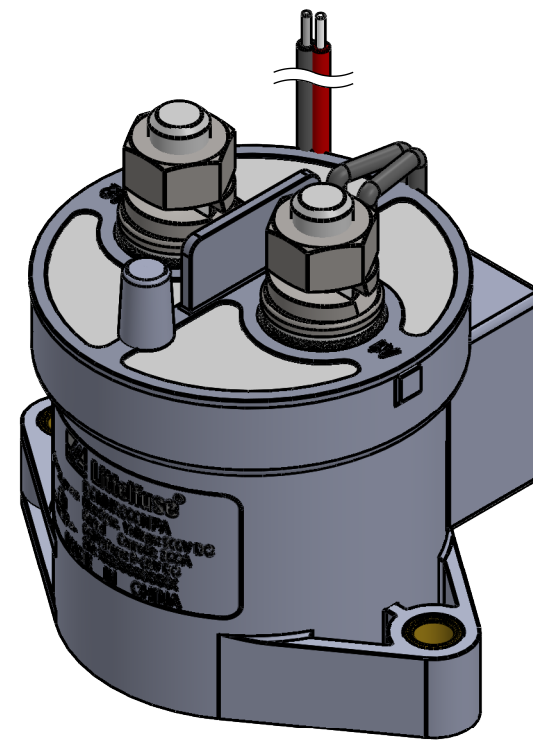
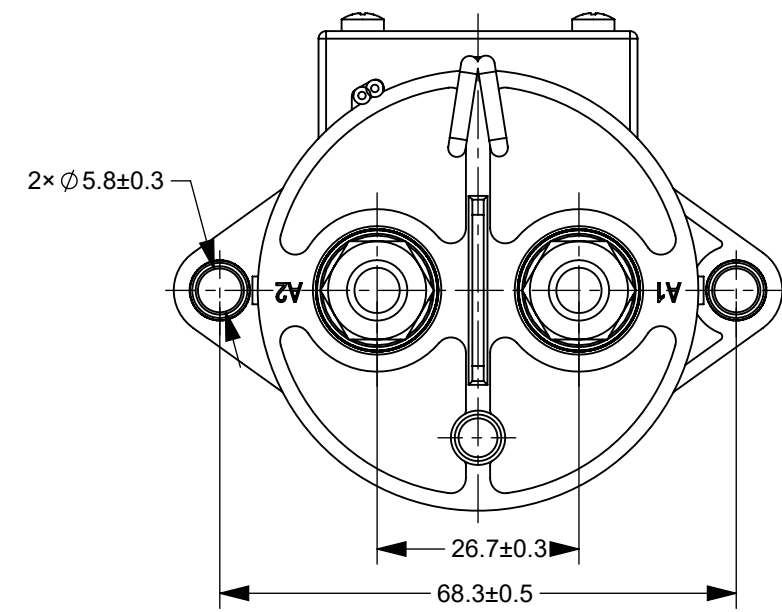


THIS DRAWING AND THE INFORMATION CONTAINED WITHIN IT ARE CONFIDENTIAL AND MAY NOT BE COPIED OR DISCLOSED WITHOUT THE WRITTEN PERMISSION OF LITTELFUSE.

REVISIONS				
ZONE	REV.	DESCRIPTION	DATE	APPROVED
	A	GCF#524671 INITIAL RELEASE	JUL./28/2021	D. ZHANG



SCALE 2:1

TABLE 1

MAX OPER. VOLTAGE		900V DC
RATED CONTACT CURRENT	DCNHR150NFA	150A
	DCNHR200NFA	200A
	DCNHR250NFA	250A
	DCNHR300NFA	300A
COIL VOLTAGE		9~36V DC
OPERATING VOLTAGE IN COLD STATE @ (23±5)°C	PICK-UP	9V MAX
	DROP-OUT	6V MIN
OPERATE TIME		25ms
CONTACT BOUNCE TIME		7ms
RELEASE TIME		12ms
MAIN CONTACT RESISTANCE(@ 20A)		≤2mΩ
INSULATION RESISTANCE @ 500 V (INITIAL)		≥100MΩ
DIELECTRIC STRENGTH (LEAKAGE CURRENT≤1 mA)		2200V AC, 1 MINUTE
ELECTRIC LIFE	DCNHR150NFA	5000 CYCLES (150A @ 450V DC)
	DCNHR200NFA	3500 CYCLES (200A @ 450V DC)
	DCNHR250NFA	1500 CYCLES (250A @ 450V DC)
	DCNHR300NFA	600 CYCLES (300A @ 450V DC)
MECHANICAL LIFE (NO LOAD, CYCLES)		200,000
WORKING DUTY		CONTINUOUS

TABLE 2

NO.	PN	"A"	"B"	REMARK
1	DCNHR150NFA	DCNHR150NFA	Rated Current: 150A	
2	DCNHR200NFA	DCNHR200NFA	Rated Current: 200A	
3	DCNHR250NFA	DCNHR250NFA	Rated Current: 250A	
4	DCNHR300NFA	DCNHR300NFA	Rated Current: 300A	

NOTES:

- ALL DIMENSIONS ARE REFERENCE ONLY.
- SEE TABLE 2 FOR NAME PLATE AND PNs
- PRODUCT TYPE: SPST-NO, NON-POLAR CONTACTOR.
- MATERIALS AND FINISH:
 - HOUSING: THERMOPLASTIC PLASTICS.
 - CONTACTS: COPPER ALLOY.
 - CONTACT STUDS: COPPER ALLOY.
 - COIL TERMINALS: XLPE INSULATION WIRE(HALOGEN FREE) UL3321 22AWG.
- MAIN CONTACT M8 STUD, TORQUE: 8~12N·m.
- MOUNTING: M5 BOLT, RECOMMENDED TORQUE 1.8 N·m ~ 3.5 N·m.
- CONTACTOR PARAMETERS ARE SHOWN IN TABLE 1.
- THE COIL OF THE CONTACTOR IS POLAR, SO THE CONNECTION OF THE COIL SHOULD BE OPERATED ACCORDING TO THE SCHEMATIC CIRCUIT DIAGRAM.

DIMENSIONS ARE SHOWN IN MILLIMETERS. DIMENSIONS AND TOLERANCES ARE DEFINED ACCORDING TO ANSI/ASME Y14.5-1994.	
●	FTI/ FUNCTION CRITICAL CHARACTERISTICS
<S>	SAFETY/ COMPLIANCE CRITICAL CHARACTERISTICS SYMBOL
CPK	DENOTES CPK DIMENSIONS MINIMUM CPK VALUE
(ST)	DENOTES A CHARACTERISTIC THAT PROVIDES AN INDICATION OF PROCESS PERFORMANCE. PROCEDURE FOR MEASUREMENT AND TRACKING TO BE DEFINED IN LITTELFUSE INSPECTION INSTRUCTIONS
CP	DENOTES CP DIMENSIONS. MINIMUM CP VALUE MUST BE WITHIN THE DIMENSIONAL LIMITATIONS SHOWN ON DRAWING AND INITIALLY LOCATED TO ALLOW FOR MAXIMUM TOOL LIFE
NAME	DATE
DRAWN JY. SHI	JUL./19/2021
CHECKED J. LI	JUL./21/2021
FORM NO. CVP-PE40-0005 REV B	
THIRD ANGLE PROJECTION	
SIZE C	DWG. NO. OL-DCNHR300NFA.CHART
DO NOT SCALE DRAWING	SCALE 1:1
Expertise Applied Answers Delivered	
TITLE DCNHR 9-36V COIL NON-POLAR CONTACTOR	
REV. A	SHEET 1 OF 1