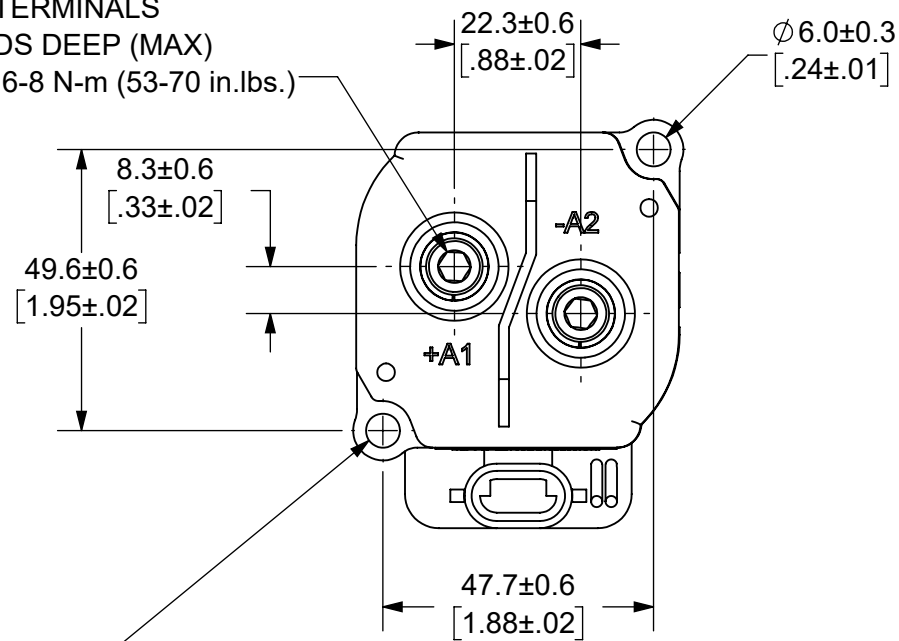


THIS DRAWING AND THE INFORMATION CONTAINED WITHIN IT ARE CONFIDENTIAL AND MAY NOT BE COPIED OR DISCLOSED WITHOUT THE WRITTEN PERMISSION OF LITTELFUSE.

REVISIONS

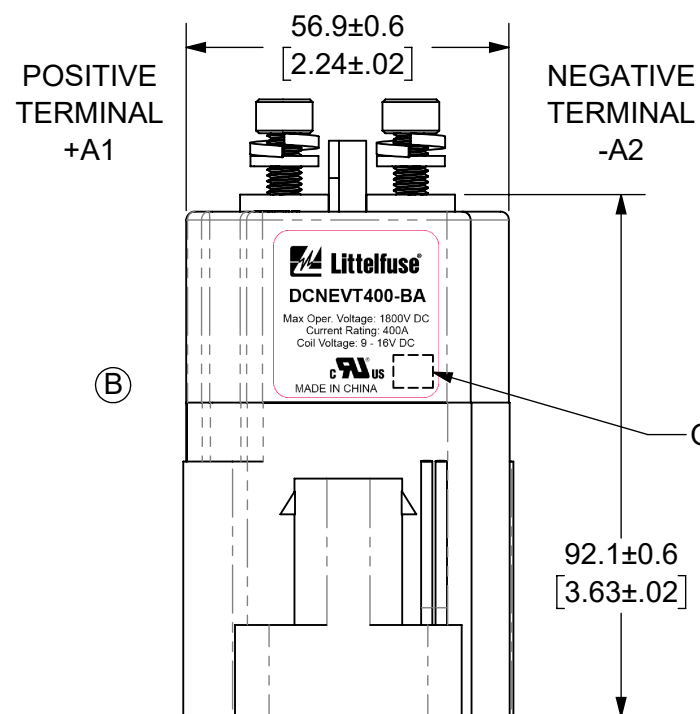
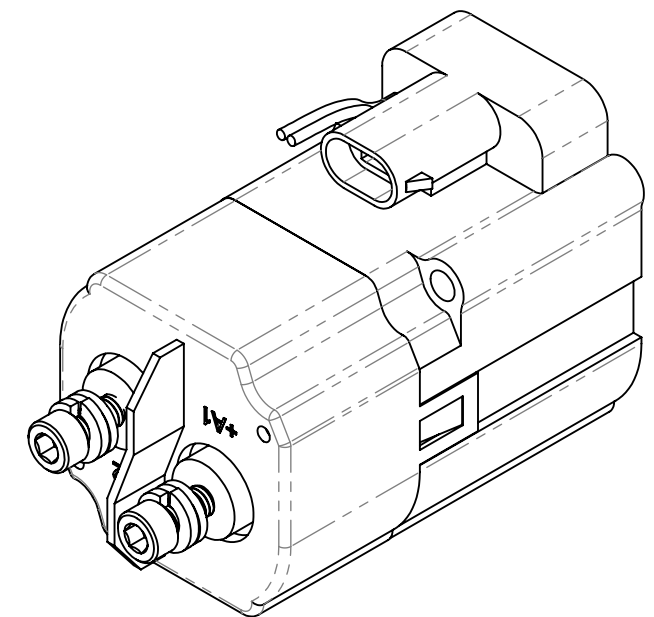
ZONE	REV.	DESCRIPTION	DATE	APPROVED
	A	INITIAL RELEASE. GCF 500000021763	12/16/2019	DGK
C7, D6	B	UPDATED LABEL. ADDED NOTE 10. ECR 522500	7/24/2020	DGK

(2) M6 x 1 TERMINALS  
12 THREADS DEEP (MAX)  
TORQUE: 6-8 N-m (53-70 in.lbs.)

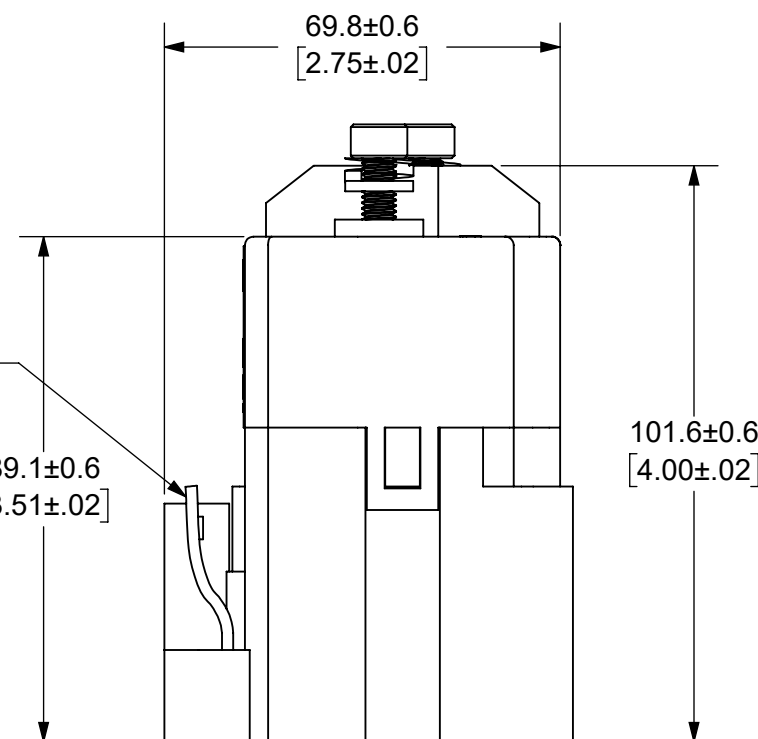


MOUNTING HOLES  
M5 MACHINE SCREW  
TORQUE: 1.7-3.3 N-m (15-30 in.lbs.)

- NOTES: UNLESS OTHERWISE SPECIFIED
- CONTACT ARRANGEMENT: SPST-NO
  - CONTINUOUS CURRENT RATING: 400 AMPS
  - CONTACT VOLTAGE RATING: 12 - 1,800 VDC
  - CONTACT TERMINALS POLARIZED
  - HARDWARE: 2 - M6 MACHINE SCREWS,  
2 - M6 LOCKWASHERS, 2 - M6 FLAT WASHERS
  - WEIGHT: 800 GRAMS (28.2 OZ.)
  - RoHS COMPLIANT
  - COIL CONNECTOR INCLUDED WITH 7 INCH WIRE LEADS.
  - AUXILIARY CONTACT RATING, SPST-NO:  
2A @ 30VDC  
3A @ 125VDC
  - UL RECOGNIZED FOR CANADA AND THE UNITED STATES



AUXILLARY CONTACT,  
SPST-NO  
WHITE WIRES  
LENGTH: 150±10 [6.0±0.4]



●		FIT/ FUNCTION CRITICAL CHARACTERISTICS SYMBOL
<S>		SAFETY/ COMPLIANCE CRITICAL CHARACTERISTICS SYMBOL
CPK		DENOTES CPK DIMENSIONS MINIMUM CPK VALUE
ST		DENOTES A CHARACTERISTIC THAT PROVIDES AN INDICATION OF PROCESS PERFORMANCE PROCEDURE FOR MEASUREMENT AND TRACKING TO BE DEFINED IN LITTELFUSE INSPECTION INSTRUCTIONS
CP		DENOTES CP DIMENSIONS, -MINIMUM CP VALUE MUST BE WITHIN THE DIMENSIONAL LIMITATIONS SHOWN ON DRAWING AND INITIALLY LOCATED TO ALLOW FOR MAXIMUM TOOL LIFE
DIMENSION: MM TOLERANCES UNLESS OTHERWISE SPECIFIED ONE PLACE DECIMAL ± 0.5      THREE PLACES DECIMAL ± 0.100 TWO PLACES DECIMAL ± 0.20      ANGULAR ± 2°		
NAME	DATE	 <b>Expertise Applied   Answers Delivered</b> TITLE DC CONTACTOR, 400 AMP 12 VDC, AUX. CONTACT SIZE B    DWG. NO. OL-DCNEVT400-BA    OUTLINE REV. B SCALE 3:4      SHEET 1 OF 1
DRAWN	DGK 11/26/2019	
CHECKED	AH 12/13/2019	
FORM NO: CVP-PE40-0004 REV A		
THIRD ANGLE PROJECTION		
DO NOT SCALE DRAWING		

ENGINEERING DESIGN DATA

COIL DATA							SHORT CIRCUIT	DIELECTRIC VOLTAGE	ELECTRICAL LIFE
COIL VOLTAGE (VDC)	NOMINAL POWER (WATTS)	PICK-UP VOLTAGE (VDC)	DROP-OUT VOLTAGE (VDC)	MAX. VOLTAGE (VDC)	INRUSH CURRENT (MAX)	HOLDING CURRENT	MAX @ 450 VDC	(VRMS)	400A @ 450VDC (CYCLES)
12	4.1	9	5	16	2.8A	0.34A	2,300 A	2,200	2,000