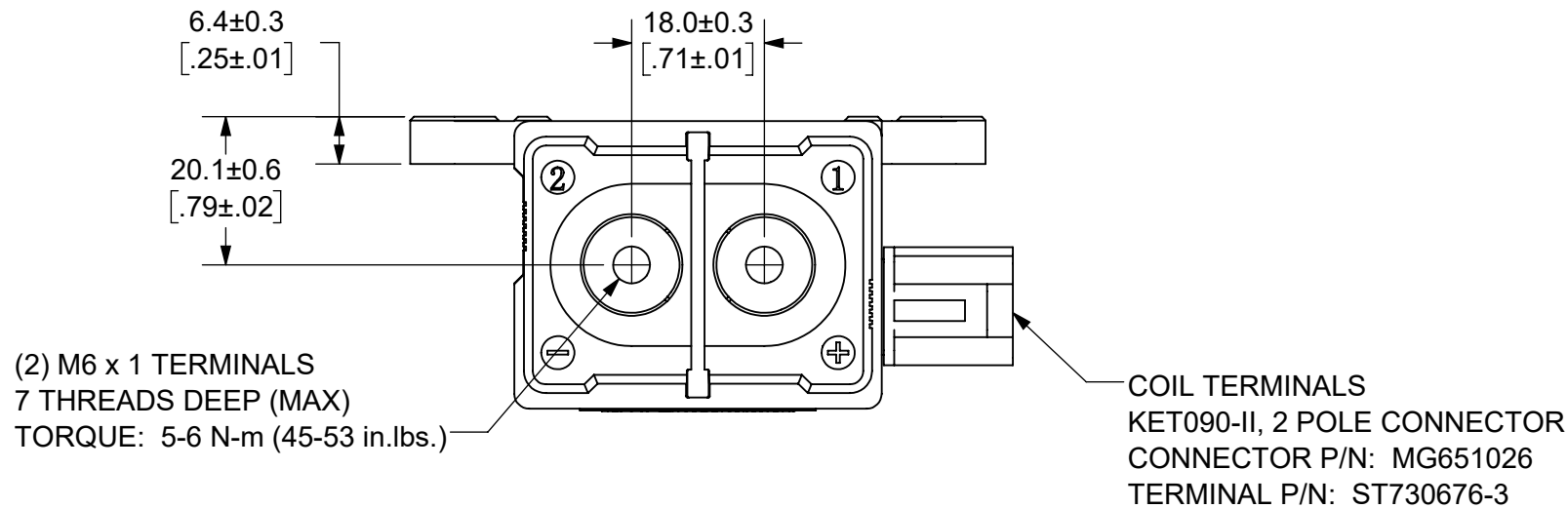
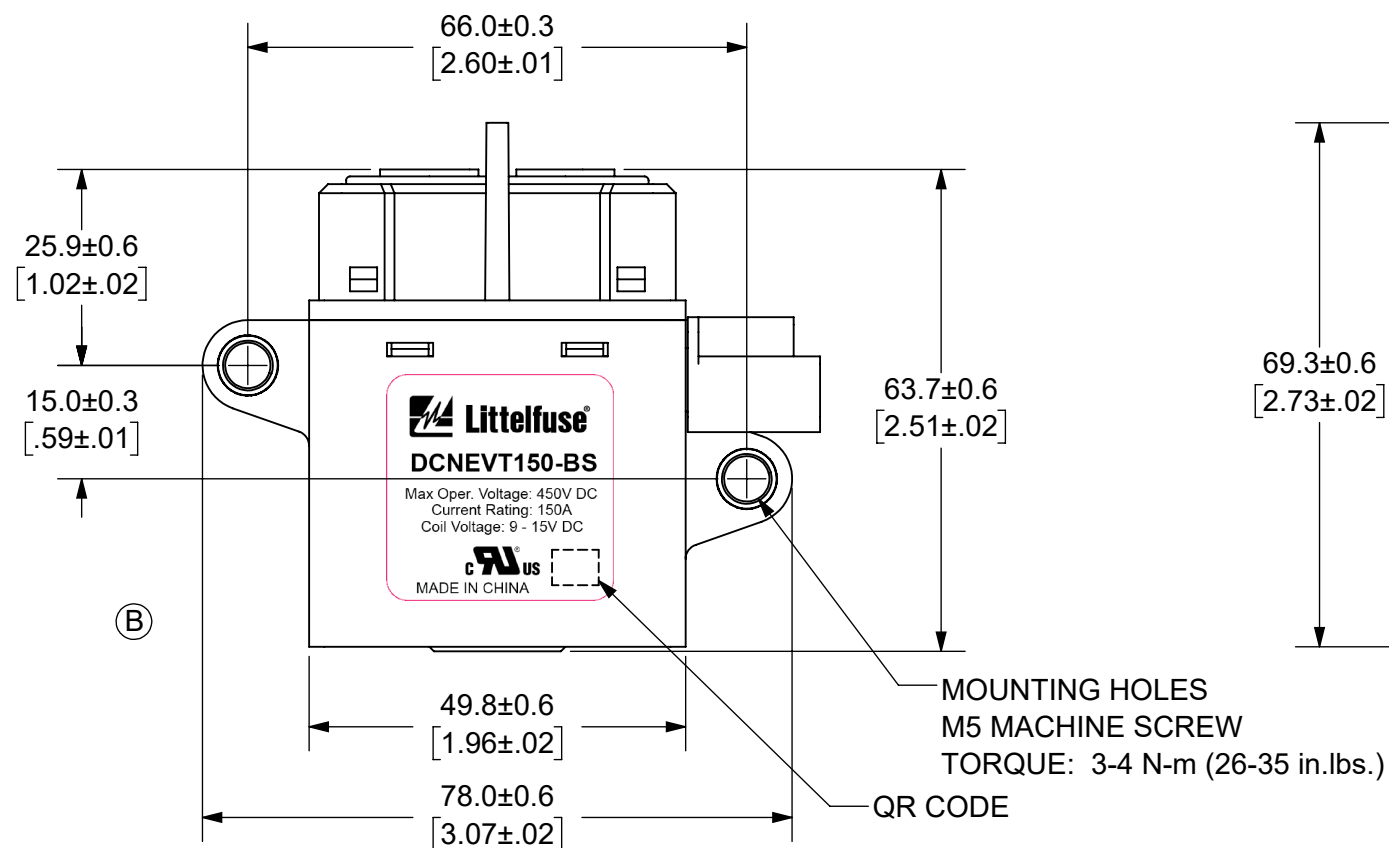
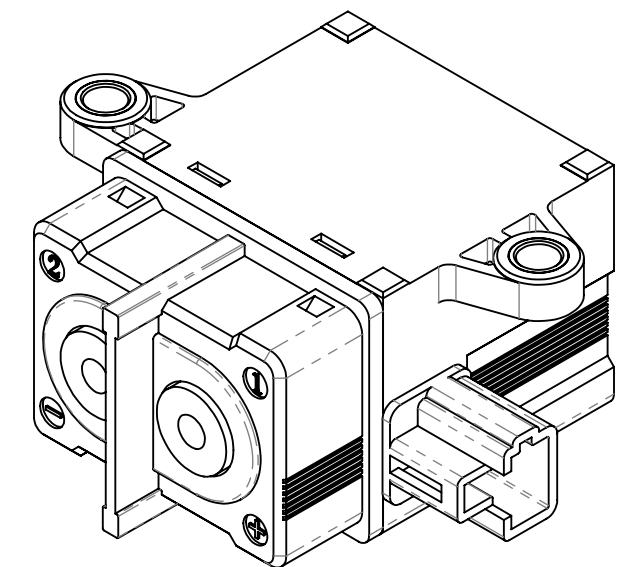


THIS DRAWING AND THE INFORMATION CONTAINED WITHIN IT ARE CONFIDENTIAL AND MAY NOT BE COPIED OR DISCLOSED WITHOUT THE WRITTEN PERMISSION OF LITTELFUSE.

REVISIONS				
ZONE	REV.	DESCRIPTION	DATE	APPROVED
	A	INITIAL RELEASE. GCF 500000021759	12/11/2019	DGK
B7, E4	B	UPDATED LABEL. ADDED NOTE 8. ECR 522500	7/14/2020	DGK



- NOTES: UNLESS OTHERWISE SPECIFIED
- CONTACT ARRANGEMENT: SPST-NO
 - CONTINUOUS CURRENT RATING: 150 AMPS
 - CONTACT VOLTAGE RATING: 12 - 450 VDC
 - CONTACT TERMINALS POLARIZED
 - HARDWARE: NONE
 - WEIGHT: 385 GRAMS (13.5 OZ.)
 - RoHS COMPLIANT
 - UL RECOGNIZED FOR CANADA AND THE UNITED STATES.



●		FIT/ FUNCTION CRITICAL CHARACTERISTICS SYMBOL
<S>		SAFETY/ COMPLIANCE CRITICAL CHARACTERISTICS SYMBOL
CPK		DENOTES CPK DIMENSIONS MINIMUM CPK VALUE
ST		DENOTES A CHARACTERISTIC THAT PROVIDES AN INDICATION OF PROCESS PERFORMANCE PROCEDURE FOR MEASUREMENT AND TRACKING TO BE DEFINED IN LITTELFUSE INSPECTION INSTRUCTIONS
CP		DENOTES CP DIMENSIONS. -MINIMUM CP VALUE MUST BE WITHIN THE DIMENSIONAL LIMITATIONS SHOWN ON DRAWING AND INITIALLY LOCATED TO ALLOW FOR MAXIMUM TOOL LIFE
DIMENSION: MM TOLERANCES UNLESS OTHERWISE SPECIFIED ONE PLACE DECIMAL ± 0.5 THREE PLACES DECIMAL ± 0.100 TWO PLACES DECIMAL ± 0.20 ANGULAR ± 2°		
NAME	DATE	<p>Expertise Applied Answers Delivered</p> <p>TITLE DC CONTACTOR, 150 AMP 12 VDC, SIDE MOUNT</p>
DRAWN	DGK 11/20/2019	
CHECKED	AH 12/11/2019	
FORM NO: CVP-PE40-0004 REV A		SIZE B
THIRD ANGLE PROJECTION		DWG. NO. OL-DCNEVT150-BS
DO NOT SCALE DRAWING		SCALE 1:1
		OUTLINE REV. B
		SHEET 1 OF 1

ENGINEERING DESIGN DATA

COIL DATA						SHORT CIRCUIT	DIELECTRIC VOLTAGE	ELECTRICAL LIFE
COIL VOLTAGE (VDC)	NOMINAL POWER (WATTS)	PICK-UP VOLTAGE (VDC)	DROP-OUT VOLTAGE (VDC)	MAX. VOLTAGE (VDC)	INRUSH CURRENT (MAX)	MAX @ 450 VDC	(VRMS)	150A @ 450VDC (CYCLES)
12	6.0	9	1.2	15	500mA	1,500 A	2,200	5,000