

THIS DRAWING AND THE INFORMATION CONTAINED WITHIN IT ARE CONFIDENTIAL AND MAY NOT BE COPIED OR DISCLOSED WITHOUT THE WRITTEN PERMISSION OF LITTELFUSE.

REVISIONS

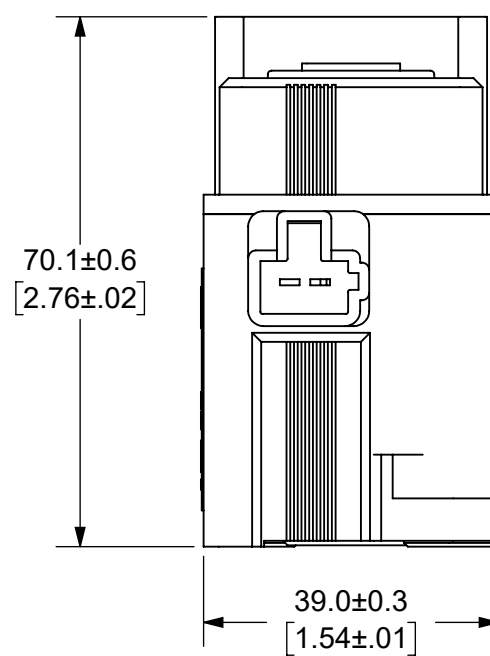
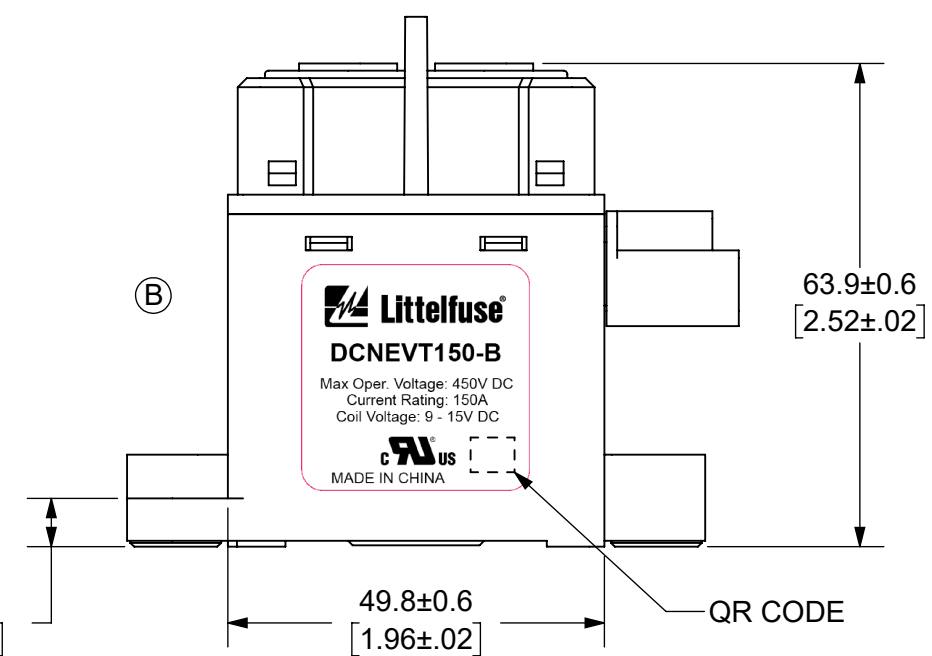
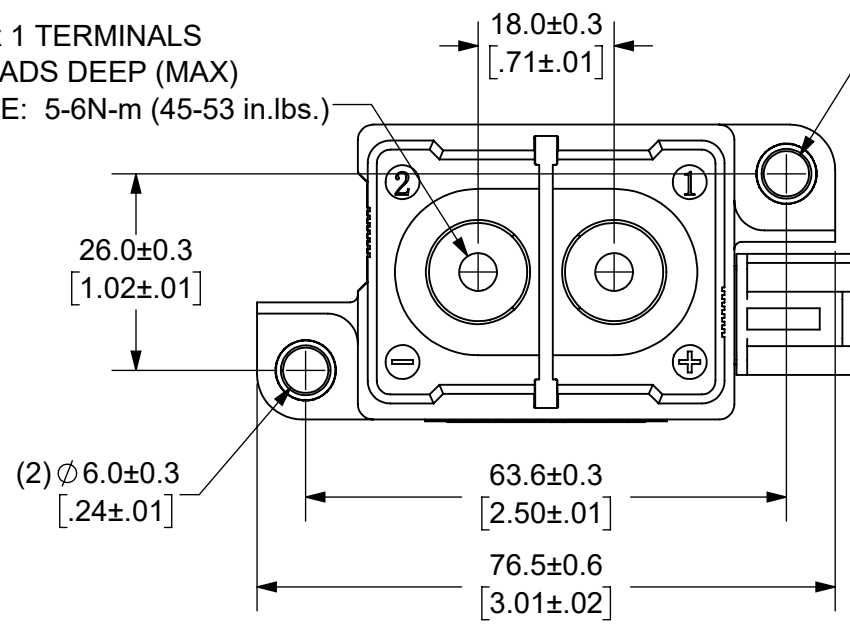
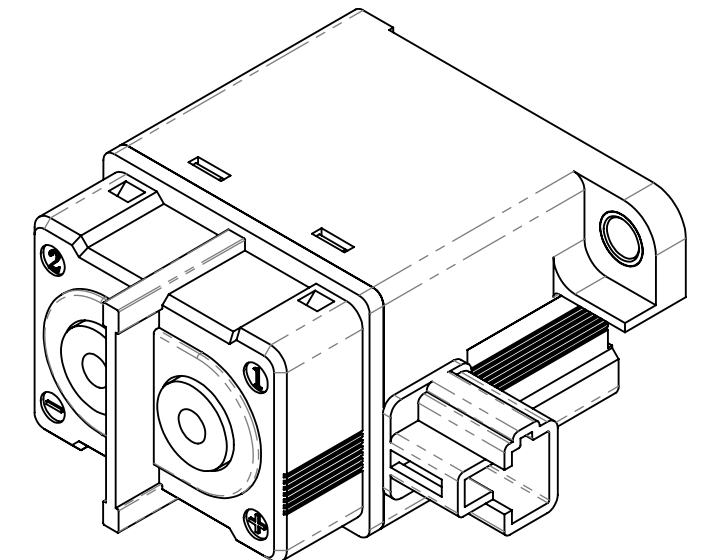
ZONE	REV.	DESCRIPTION	DATE	APPROVED
	A	INITIAL RELEASE. GCF 500000021759	12/11/2019	DGK
C7, E4	B	UPDATE LABEL. ADDED NOTE 8. ECR 522500	7/13/2020	DGK

(2) M6 x 1 TERMINALS  
7 THREADS DEEP (MAX)  
TORQUE: 5-6N-m (45-53 in.lbs.)

MOUNTING HOLES  
M5 MACHINE SCREW  
TORQUE: 3-4 N-m (26-35 in.lbs.)

COIL TERMINALS  
KET090-II, 2 POLE CONNECTOR  
CONNECTOR P/N: MG651026  
TERMINAL P/N: ST730676-3

- NOTES: UNLESS OTHERWISE SPECIFIED
- CONTACT ARRANGEMENT: SPST-NO
  - CONTINUOUS CURRENT RATING: 150 AMPS
  - CONTACT VOLTAGE RATING: 12 - 450 VDC
  - CONTACT TERMINALS POLARIZED
  - HARDWARE: NONE
  - WEIGHT: 385 GRAMS (13.5 OZ.)
  - RoHS COMPLIANT
  - UL RECOGNIZED FOR CANADA AND THE UNITED STATES.



INTERPRET DRAWING TO ANSI/ASME Y14.5-1994.

●	FIT/ FUNCTION CRITICAL CHARACTERISTICS SYMBOL
<S>	SAFETY/ COMPLIANCE CRITICAL CHARACTERISTICS SYMBOL
CPK	DENOTES CPK DIMENSIONS MINIMUM CPK VALUE
ST	DENOTES A CHARACTERISTIC THAT PROVIDES AN INDICATION OF PROCESS PERFORMANCE PROCEDURE FOR MEASUREMENT AND TRACKING TO BE DEFINED IN LITTELFUSE INSPECTION INSTRUCTIONS
CP	DENOTES CP DIMENSIONS. -MINIMUM CP VALUE MUST BE WITHIN THE DIMENSIONAL LIMITATIONS SHOWN ON DRAWING AND INITIALLY LOCATED TO ALLOW FOR MAXIMUM TOOL LIFE

DIMENSION: MM TOLERANCES UNLESS OTHERWISE SPECIFIED  
ONE PLACE DECIMAL ± 0.5 THREE PLACES DECIMAL ± 0.100  
TWO PLACES DECIMAL ± 0.20 ANGULAR ± 2°

ENGINEERING DESIGN DATA

COIL DATA						SHORT CIRCUIT	DIELECTRIC VOLTAGE	ELECTRICAL LIFE
COIL VOLTAGE (VDC)	NOMINAL POWER (WATTS)	PICK-UP VOLTAGE (VDC)	DROP-OUT VOLTAGE (VDC)	MAX. VOLTAGE (VDC)	INRUSH CURRENT (MAX)	MAX @ 450 VDC	(VRMS)	150A @ 450VDC (CYCLES)
12	6.0	9	1.2	15	500mA	1,500 A	2,200	5,000

NAME	DATE	<p><b>Expertise Applied   Answers Delivered</b></p>
DRAWN DGK	11/21/2019	
CHECKED AH	12/11/2019	
FORM NO: CVP-PE40-0004 REV A		<p><b>TITLE</b> DC CONTACTOR, 150 AMP 12 VDC, BOTTOM MOUNT</p>
THIRD ANGLE PROJECTION		
SIZE B	DWG. NO. OL-DCNEVT150-B	OUTLINE REV. B
DO NOT SCALE DRAWING		SCALE 1:1 SHEET 1 OF 1