

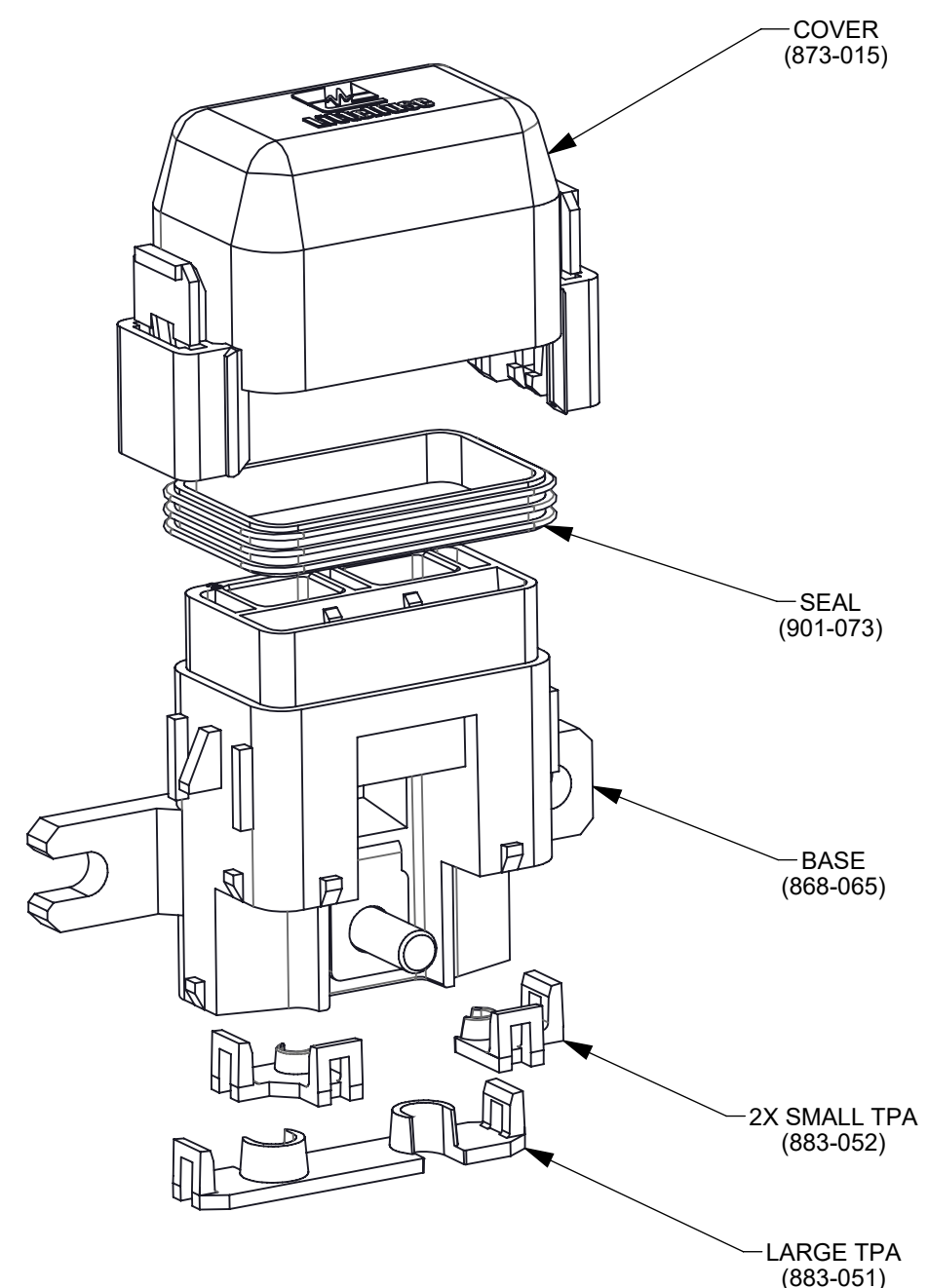
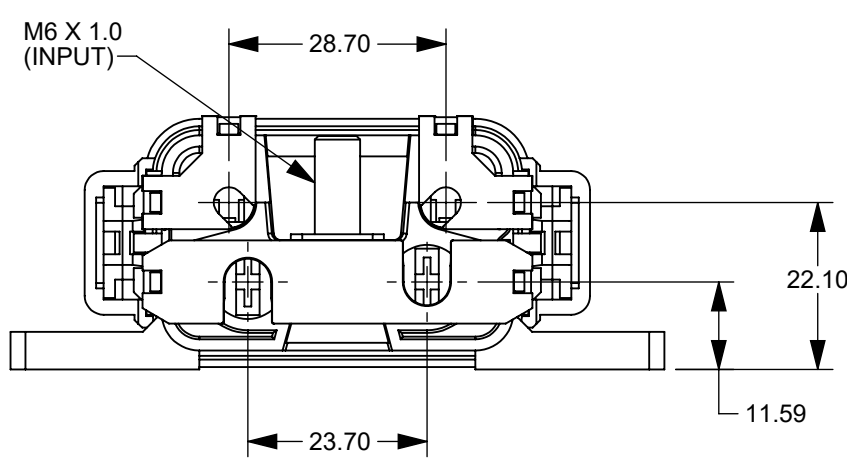
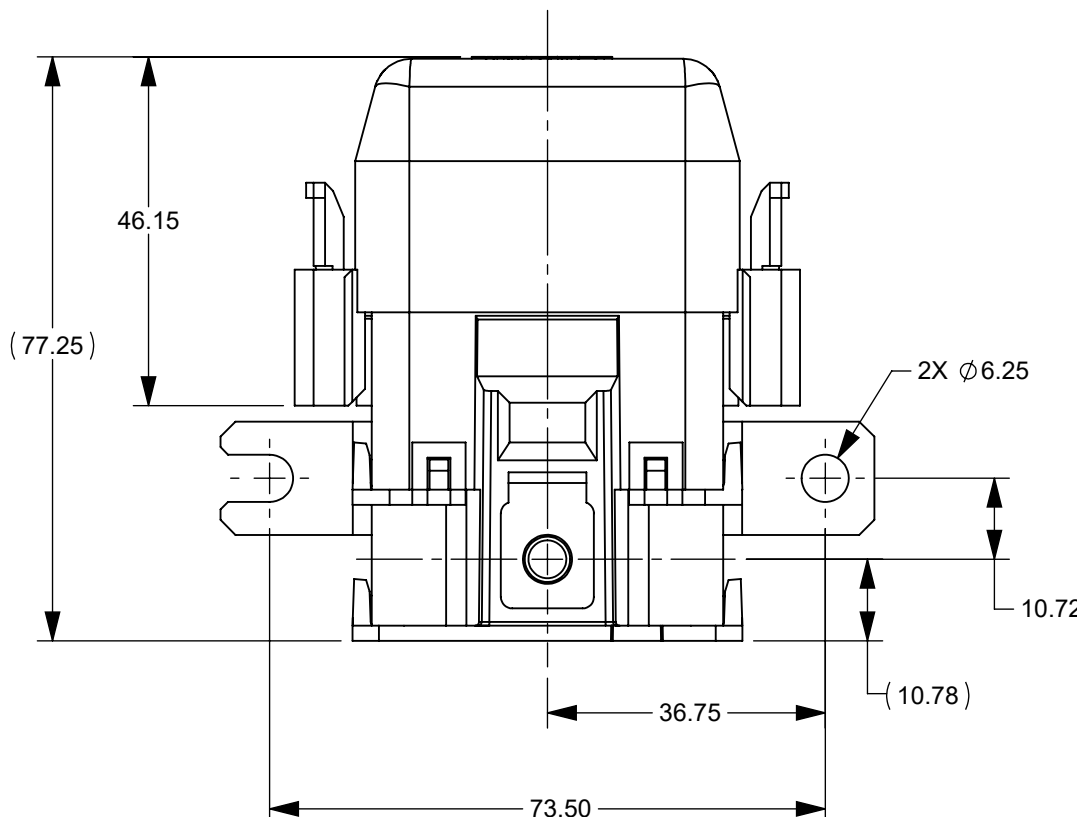
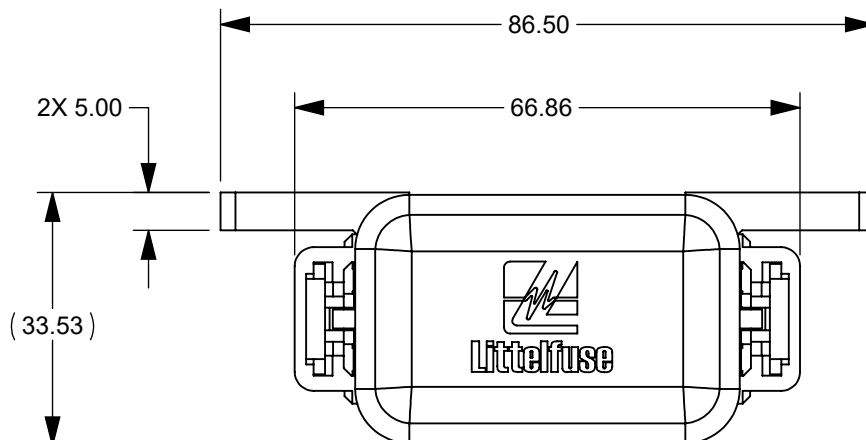
THIS DRAWING AND THE INFORMATION CONTAINED WITHIN IT ARE CONFIDENTIAL AND MAY NOT BE COPIED OR DISCLOSED WITHOUT THE WRITTEN PERMISSION OF LITTELFUSE.

| REVISIONS |      |                              |          |            |
|-----------|------|------------------------------|----------|------------|
| ZONE      | REV. | DESCRIPTION                  | DATE     | APPROVED   |
|           | A    | 502034ERA-RELEASE GMB        | 04/18/11 |            |
|           | B    | 503116ERA-SEE ECO GMB        | 08/26/11 |            |
|           | C    | 504140ECA-SEE ECO GMB        | 1/23/12  |            |
|           | D    | 504558ECA-SEE ECO FYUE       | 3/22/12  |            |
|           | E    | 507145ECA-SEE ECO FYUE       | 1/7/13   |            |
|           | F    | 523936ECC-UPDATE NOTE 8 FYUE | 5/AUG/21 | EDWARD JIN |

| FEMALE TERMINAL FOR MINI FUSE (SEE NOTE 13) |                                     |             |   |          |
|---|-------------------------------------|-------------|---|----------|
| CABLE SIZE mm <sup>2</sup>                  | FEMALE TERMINAL (DELPHI 280 SEALED) | CABLE DIA   | CABLE SEAL (DELPHI 280 METRI-PACK REEL/LOOSE) | COLOR    |
| 0.50 - 0.35                                 | 12084201                            | 1.70 - 1.29 | 12034365/15324983                             | DARK RED |
| 1.0 - 0.50                                  | 12077411                            | 2.15 - 1.60 | 12089444/15324985                             | PURPLE   |
| 3.0 - 2.0                                   | 12129493                            | 2.42 - 2.03 | 12041352/15324984                             | TAN      |
| 3.0   | 12077413                            | 2.85 - 2.03 | 12015284/15324982                             | GREEN    |
|   |                                     | 3.49 - 2.81 | 12015359/15324980                             | GRAY     |
|   |                                     | 4.30 - 3.45 | 12015360/15324981                             | BLUE     |
|   |                                     | CAVITY PLUG | 12010300                                      | GREEN    |

| MALE TERMINAL FOR JCASE (SEE NOT 13) |   |                                      |
|--------------------------------------|---|--------------------------------------|
| CABLE SIZE mm <sup>2</sup>           | MALE TERMINAL (DELPHI DUCON 6.3 SEALED) | CABLE PLUG (DELPHI DUCON 6.3 SEALED) |
| 2.5 - 1.5                            | 15344632                                | 12059255                             |
| 6.0 - 4.0                            | 15344631                                |                                      |

| 6.3 DUCON CABLE SEALS (SEE NOTE 13) |                   |             |             |
|-------------------------------------|-------------------|-------------|-------------|
| REEL PART NUMBER                    | LOOSE PART NUMBER | CABLE DIA.  | COLOR       |
| 10730240                            | 15324997          | 2.40 - 1.60 | LIGHT BROWN |
| 12059259                            | 15324995          | 2.90 - 2.00 | DARK RED    |
| 10730241                            | 15324994          | 3.80 - 2.80 | GRAY        |
| 15344032                            | 15324996          | 4.50 - 3.60 | BLUE        |



- NOTE:
- MATERIAL:  
 BASE/COVER: PA-66, V0/BLACK  
 TPA: PA-66, V0/BLACK  
 SEAL: 30 DURO SILICONE (GREEN)  
 BUSSBAR: TIN-PLATED COPPER  
 BOLT: ZINC-PLATED STEEL
  - TORQUE RATING: 5.5-6.5 Nm USING M6 BOLT & LOCK WASHER
  - MAX. TOTAL CURRENT @ 23°C IS 100A  
 MAX. TOTAL CURRENT @ 85°C IS 70A  
 ALL FUSE MUST NOT EXCEED 70% OF RATED CURRENT
  - OPERATING & STORAGE TEMPERATURE: -40°C TO 85°C
  - ASSEMBLY MUST PASS IP67 IEC60529 TESTS
  - COVER MUST WITHSTAND A PULL FORCE OF 15-30N WHEN INSTALLED WITH SEAL AND BASE
  - TERMINAL RETENTION MUST MEET REQUIREMENTS OF USCAR 2 SECTION 5.4.1.3 USING PROPER DELPHI METRI-PACK TERMINALS (SEALED/TANGED):  
 TERMINAL INSERTION FORCE: 30N MAX. (15N MAX. FOR WIRE SIZE <=1mm<sup>2</sup>)  
 TERMINAL EXTRACTION FORCE: 60N MIN.
  - TERMINAL EXTRACTION FORCE WITH TPA INSTALLED: 90N MIN.  
 PARTS ARE SHIPPED WITH TPAS AND SEL AS BULK AND THE BASE WITH COVER INSTALLED
  - TO BE USED WITH FUSE PULLER 00970032Z
  - HOLDER MEETS L/F VALIDATION TST SPEC. VS-00510
  - TO BE USED WITH DELPHI METRA-PACK TERMINALS AND SEALS
  - TO BE USED WITH DELPHI DUCON MALE TERMINALS AND SEALS
  - FOR REFERENCE ONLY. CONTACT DELPHI FOR ANY UPDATED PART NUMBERING INFORMATION

| LIMIT DIMENSIONS OF PLASTIC MOLDED PARTS FOR NOMINAL SIZE RANGES PER ISO IN LITTELFUSE CVP-NPD20-0002, DIMENSIONS mm |         |          |           |           |           |           |            |             |             |             |             |       |
|--|---------|----------|-----------|-----------|-----------|-----------|------------|-------------|-------------|-------------|-------------|-------|
| 1 to 3   | >3 to 6 | >6 to 10 | >10 to 18 | >18 to 30 | >30 to 50 | >50 to 80 | >80 to 120 | >120 to 180 | >180 to 250 | >250 to 315 | >315 to 400 | ANGLE |
| ±0.10  | ±0.10   | ±0.20    | ±0.20     | ±0.20     | ±0.30     | ±0.30     | ±0.30      | ±0.50       | ±0.50       | ±0.50       | ±0.50       | NONE  |

| SURFACE PROFILE DIMENSIONS OF PLASTIC MOLDED PARTS FOR NOMINAL SIZE RANGES PER ISO IN LITTELFUSE CVP-NPD20-0002, DIMENSIONS mm |      |      |      |      |      |      |      |     |     |     |     |
|--|------|------|------|------|------|------|------|-----|-----|-----|-----|
| 0.50   | 0.50 | 0.50 | 0.50 | 0.50 | 0.50 | 0.50 | 0.50 | 1.0 | 2.0 | 4.0 | 4.0 |

DIMENSIONS ARE SHOWN IN MILLIMETERS. DIMENSIONS AND TOLERANCES ARE DEFINED ACCORDING TO ANSIS/ASME Y14.5-1994.

|      |  |
|------|--|
| ●    | FTI/ FUNCTION CRITICAL CHARACTERISTICS   |
| <S>  | SAFETY/ COMPLIANCE CRITICAL CHARACTERISTICS SYMBOL   |
| CPK  | DENOTES CPK DIMENSIONS MINIMUM CPK VALUE   |
| (ST) | DENOTES A CHARACTERISTIC THAT PROVIDES AN INDICATION OF PROCESS PERFORMANCE PROCEDURE FOR MEASUREMENT AND TRACKING TO BE DEFINED IN LITTELFUSE INSPECTION INSTRUCTIONS |
| CP   | DENOTES CP DIMENSIONS. -MINIMUM CP VALUE MUST BE WITHIN THE DIMENSIONAL LIMITATIONS SHOWN ON DRAWING AND INITIALLY LOCATED TO ALLOW FOR MAXIMUM TOOL LIFE              |

|              |            |
|--------------|------------|
| NAME         | DATE       |
| DRAWN FYUE   | 5/AUG/2021 |
| CHECKED FYUE | 6/AUG/2021 |

**Littelfuse**  
Expertise Applied | Answers Delivered

FORM NO. CVP-PE40-0005 REV B  
 THIRD ANGLE PROJECTION

TITLE: 2 + 2 FUSE HOLDER

DO NOT SCALE DRAWING

SCALE: 1:1

SHEET 1 OF 1