

THIS DRAWING AND THE INFORMATION CONTAINED WITHIN IT ARE CONFIDENTIAL AND MAY NOT BE COPIED OR DISCLOSED WITHOUT THE WRITTEN PERMISSION OF LITTELFUSE.

PART NUMBER	DESCRIPTION	COLOR	FIGURE
923-025-001	3/8" STUD CAP	RED	2
923-025-002	3/8" STUD CAP	BLACK	2
923-025-003	M8 STUD CAP	RED	1
923-025-004	M8 STUD CAP	BLACK	1

REVISIONS				
ZONE	REV.	DESCRIPTION	DATE	APPROVED
	A	PCO #5300217. INITIAL RELEASE. DSILVA.	2/23/2023	S. CASTILLO

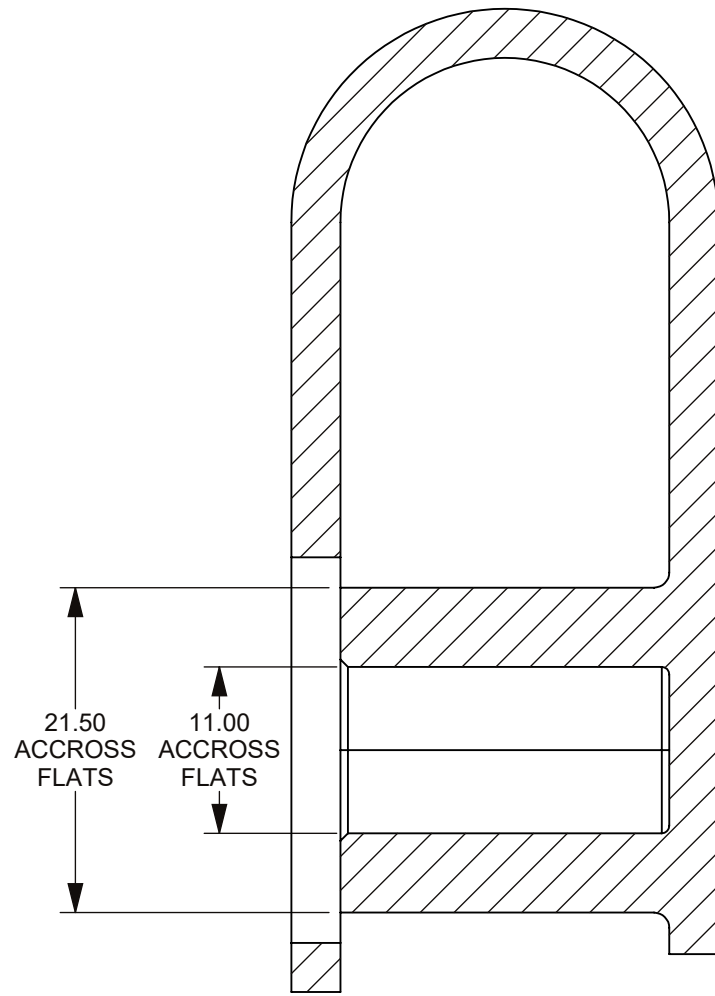
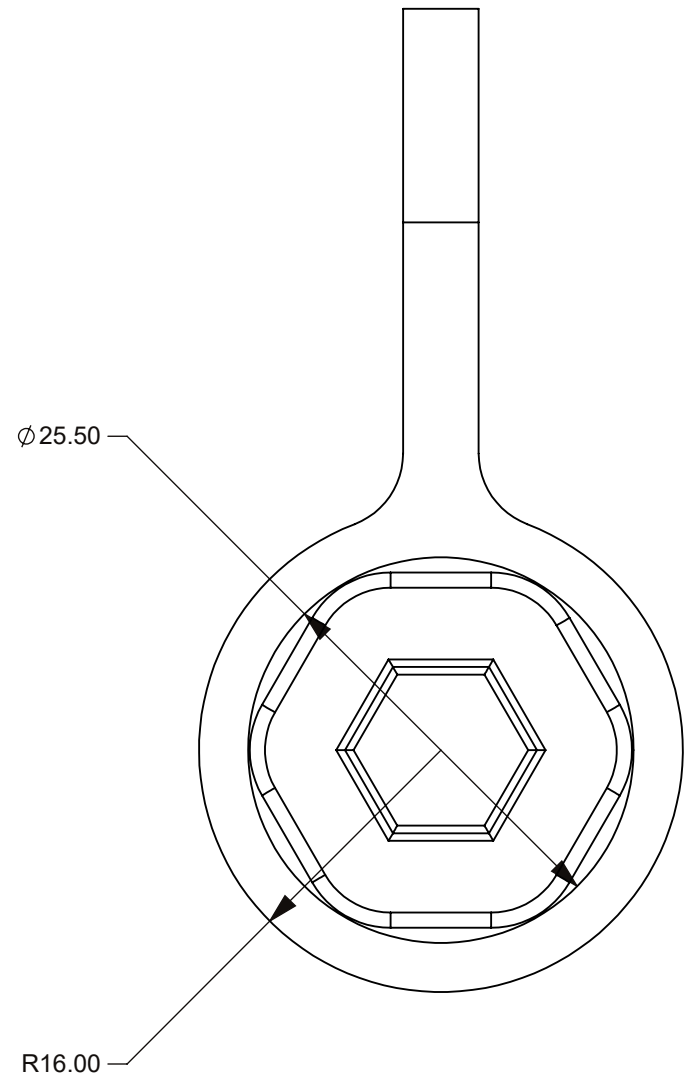


FIGURE 1. M8 STUD CAP

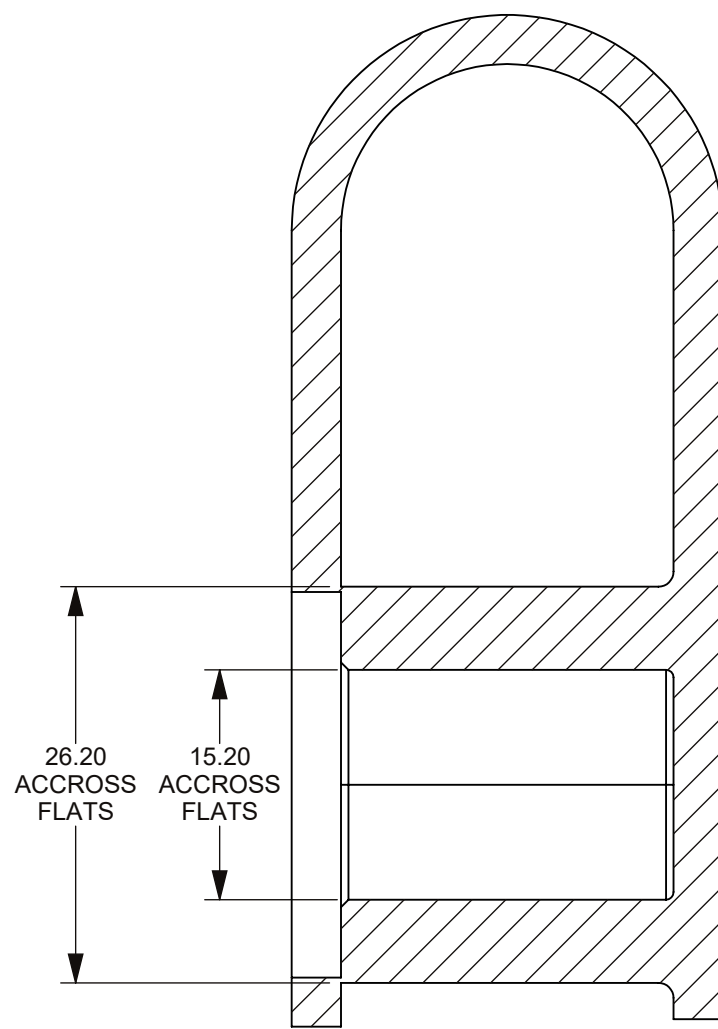
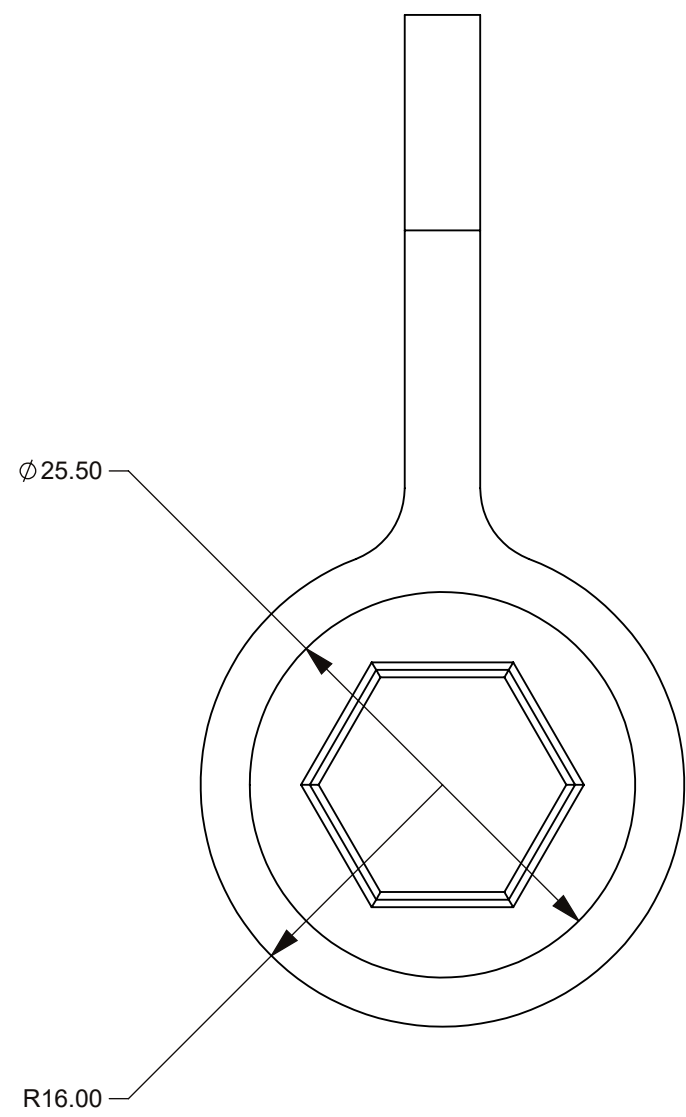
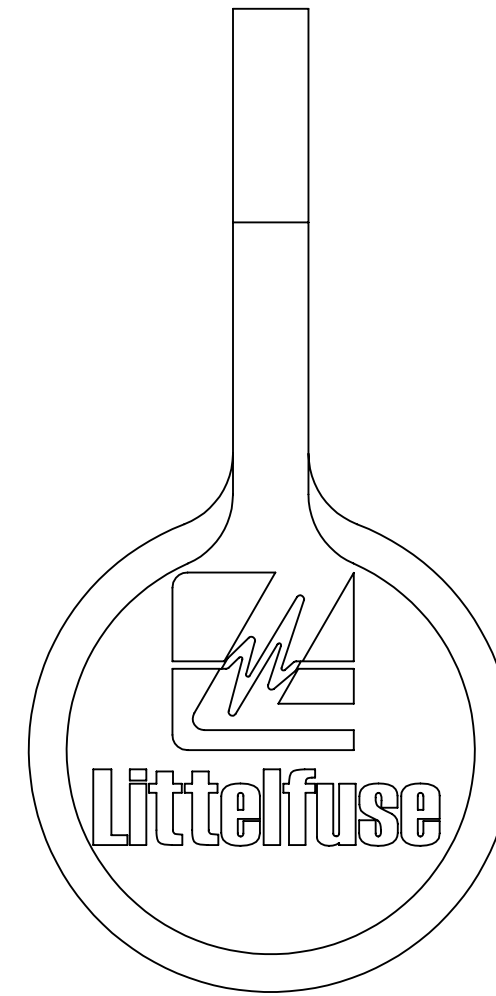
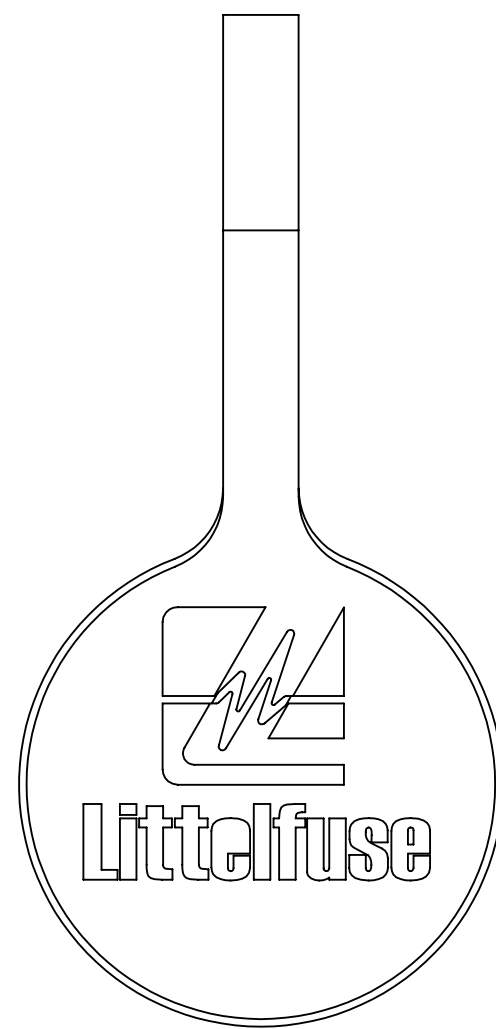


FIGURE 2. 3/8" STUD CAP



NOTES:  
1. MATERIAL: SILICONE

NO.	COMPONENT NO.	COMPONENT NAME	QTY	U
TOLERANCES UNLESS OTHERWISE SPECIFIED (REF. ISO 2768-H)				
.5 to 3	>3 to 6	>6 to 30	>30 to 120	>120 to 400
+0.05	+0.05	+0.10	+0.15	+0.20
				ANGLE
				NONE

DIMENSIONS ARE SHOWN IN MILLIMETERS. DIMENSIONS AND TOLERANCES ARE DEFINED ACCORDING TO ANSI/ASME Y14.5-1994.

●	FTI/ FUNCTION CRITICAL CHARACTERISTICS
<S>	SAFETY/ COMPLIANCE CRITICAL CHARACTERISTICS SYMBOL
CPK	DENOTES CPK DIMENSIONS MINIMUM CPK VALUE
(ST)	DENOTES A CHARACTERISTIC THAT PROVIDES AN INDICATION OF PROCESS PERFORMANCE PROCEDURE FOR MEASUREMENT AND TRACKING TO BE DEFINED IN LITTELFUSE INSPECTION INSTRUCTIONS
CP	DENOTES CP DIMENSIONS. -MINIMUM CP VALUE MUST BE WITHIN THE DIMENSIONAL LIMITATIONS SHOWN ON DRAWING AND INITIALLY LOCATED TO ALLOW FOR MAXIMUM TOOL LIFE

NAME	DATE
DRAWN DSILVA	2/7/2023
CHECKED S. CASTILLO	2/23/2023
<b>Expertise Applied   Answers Delivered</b>	
FORM NO. CVP-PE40-0005 REV B THIRD ANGLE PROJECTION	
TITLE <b>STUD CAPS</b>	
SIZE C DWG. NO. OL-923-025-000 OUTLINE	REV. A
DO NOT SCALE DRAWING	SCALE 2:1
SHEET 1 OF 1	