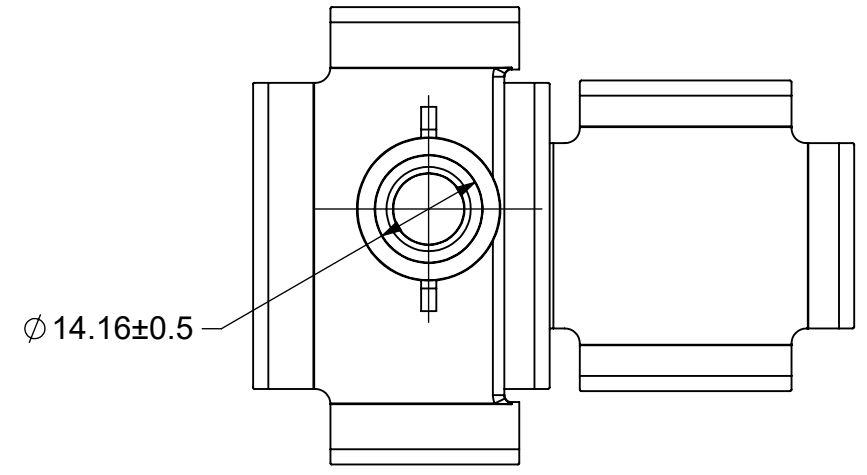
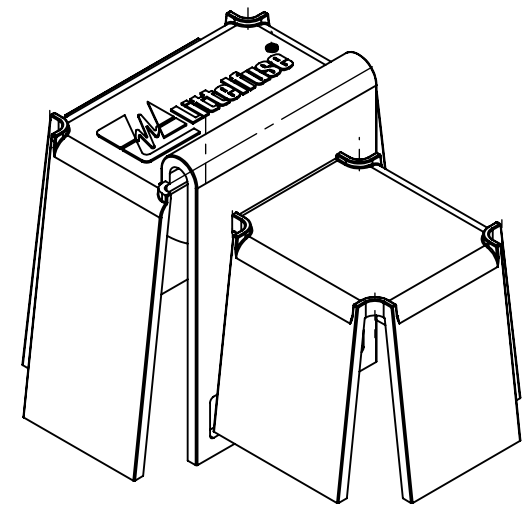
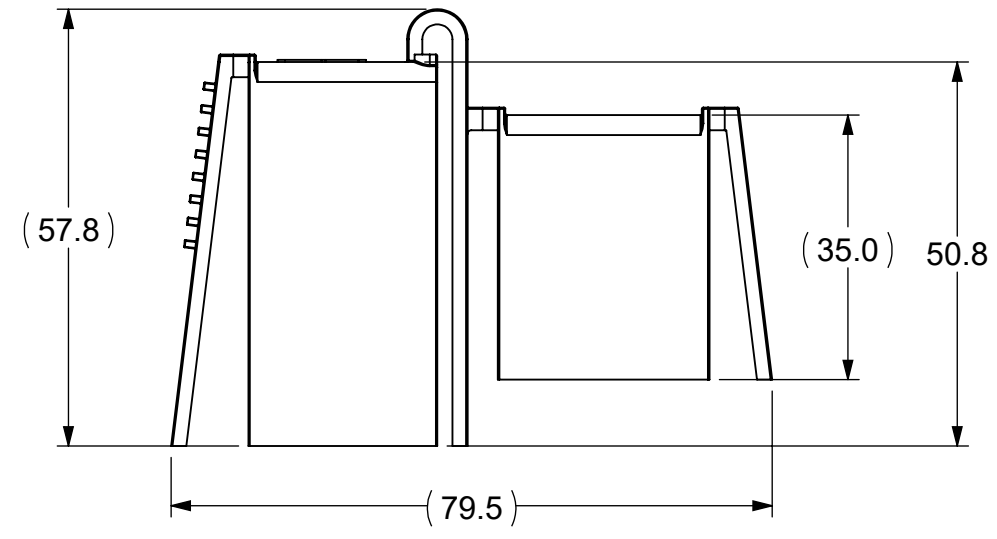
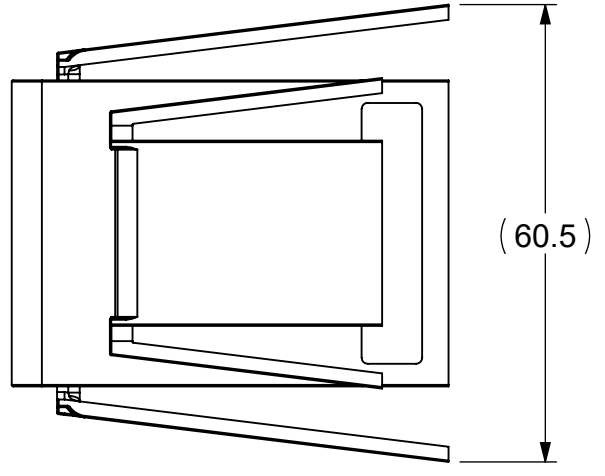
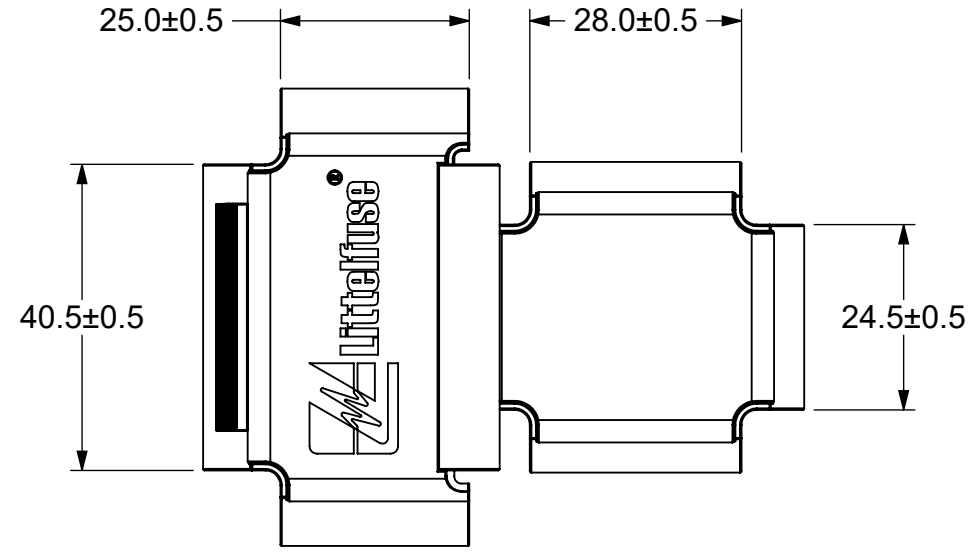


THIS DRAWING AND THE INFORMATION CONTAINED WITHIN IT ARE CONFIDENTIAL AND MAY NOT BE COPIED OR DISCLOSED WITHOUT THE WRITTEN PERMISSION OF LITTELFUSE.


| REVISIONS |      |                             |             |          |
|-----------|------|-----------------------------|-------------|----------|
| ZONE      | REV. | DESCRIPTION                 | DATE        | APPROVED |
|           | A    | PCO5300241: INITIAL RELEASE | 15/APR/2023 | Du.C     |



- NOTES:
1. ASSOCIATED 3D CAD FILE DEFINES ALL NON-DIMENSIONED FEATURES.
  2. MATERIAL: TPV RED  
DUROMETER: 80~90 SHORE  
FLAMMABILITY: UL94-V0
  3. LF P/N: 901-541

| 0 to 4 | >4 to 6 | >6 to 10 | >10 to 16 | >16 to 25 | >25 to 40 | >40 to 63 | >63 to 100 | >100 to 160 | >160 to 250 | >250 to 315 | >315 to 400 | ANGLE |
|--------|---------|----------|-----------|-----------|-----------|-----------|------------|-------------|-------------|-------------|-------------|-------|
| ±0.10  | ±0.15   | ±0.20    | ±0.20     | ±0.25     | ±0.35     | ±0.40     | ±0.50      | ±0.70       | ±0.5%       | ±0.5%       | ±0.5%       | NONE  |

|   |   |
|---|---|
| DIMENSIONS ARE SHOWN IN MILLIMETERS. DIMENSIONS AND TOLERANCES ARE DEFINED ACCORDING TO ANSI/ASME Y14.5-1994. |   |
| ●   | FIT/ FUNCTION CRITICAL CHARACTERISTICS  |
| <S>   | SAFETY/ COMPLIANCE CRITICAL CHARACTERISTICS SYMBOL  |
| CPK   | DENOTES CPK DIMENSIONS MINIMUM CPK VALUE  |
| ST  | DENOTES A CHARACTERISTIC THAT PROVIDES AN INDICATION OF PROCESS PERFORMANCE. PROCEDURE FOR MEASUREMENT AND TRACKING TO BE DEFINED IN LITTELFUSE INSPECTION INSTRUCTIONS |
| CP  | DENOTES CP DIMENSIONS. -MINIMUM CP VALUE MUST BE WITHIN THE DIMENSIONAL LIMITATIONS SHOWN ON DRAWING AND INITIALLY LOCATED TO ALLOW FOR MAXIMUM TOOL LIFE               |

|                              |             |   |
|------------------------------|-------------|---|
| NAME                         | DATE        | <br><b>Expertise Applied   Answers Delivered</b> |
| DRAWN: Rex.L                 | 15/FEB/2022 |   |
| CHECKED: Du.C                | 15/FEB/2022 | <b>TITLE</b><br>SMZ M10 FUSE COVER  |
| FORM NO: CVP-PE40-0003 REV B |             |   |
| THIRD ANGLE PROJECTION       |             | SIZE: B DWG. NO. OL-901-541 REV. A  |
| DO NOT SCALE DRAWING         | SCALE 1:1   |   |
|                              |             | SHEET 1 OF 1  |