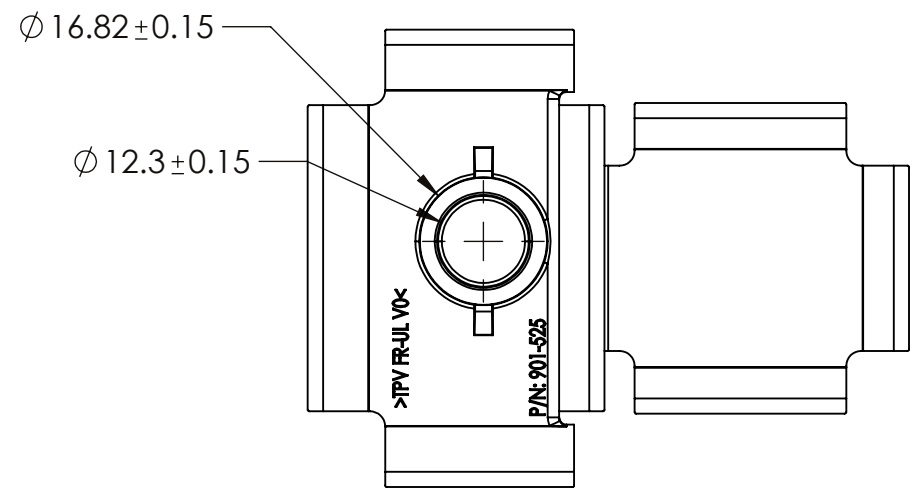
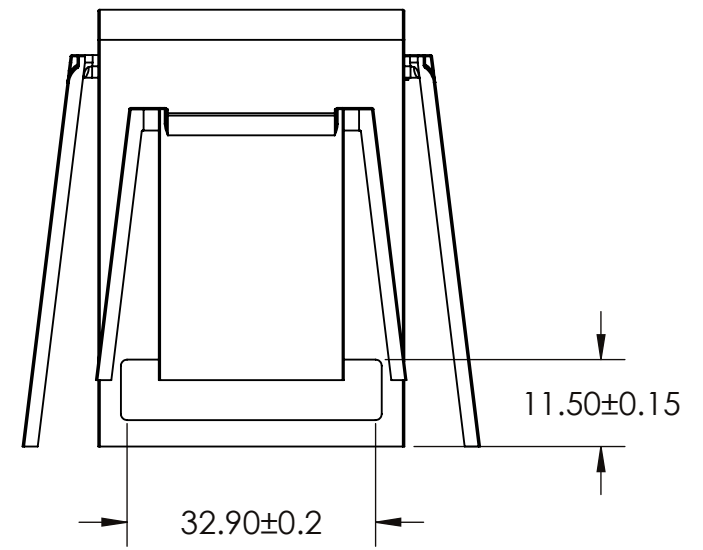
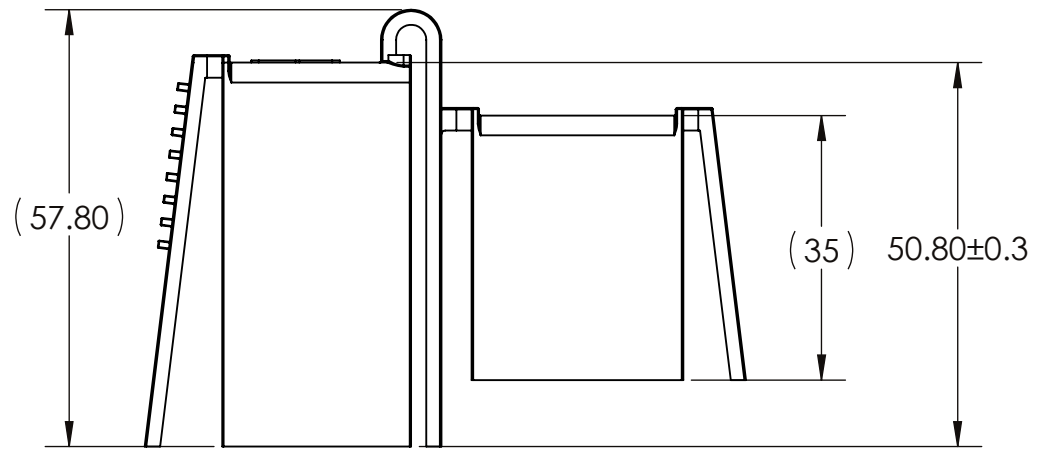
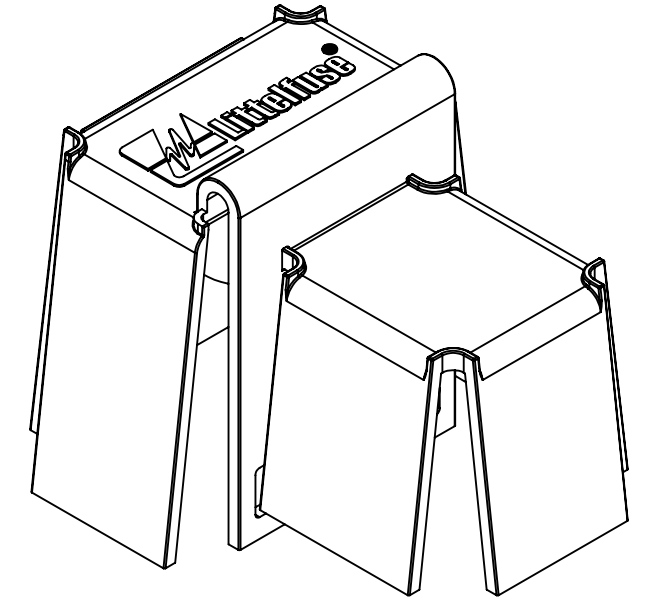
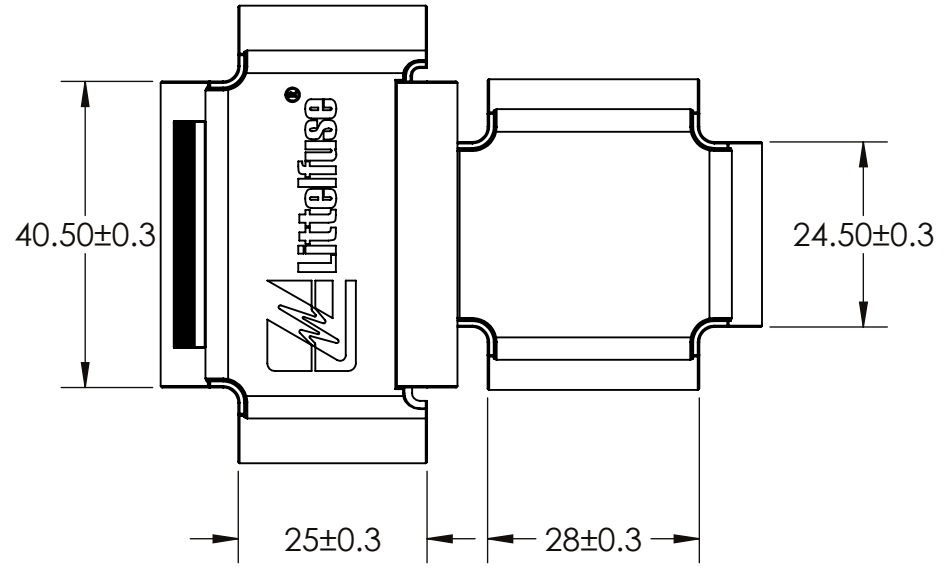


THIS DRAWING AND THE INFORMATION CONTAINED WITHIN IT ARE CONFIDENTIAL AND MAY NOT BE COPIED OR DISCLOSED WITHOUT THE WRITTEN PERMISSION OF LITTELFUSE.

REVISIONS				
ZONE	REV.	DESCRIPTION	DATE	APPROVED
	A	GCF #524724 INITIAL RELEASE. D.SILVA	1/25/2022	L.ARGIL



- NOTES:
1. ASSOCIATED 3D CAD FILE DEFINES ALL NON-DIMENSIONED FEATURES.
  2. MATERIAL: THERMOPLASTIC VULCANIZATE (TPV), COLOR RED.
  3. SYMBOL ● INDICATES A CRITICAL DIMENSION OR FEATURE WHICH HAVE ASSEMBLY OR FUNCTION REQUIREMENT, ALL THESE DIMENSION SHOULD BE IN TOLERANCE.

TOLERANCES FOR PLASTIC PER SPI STANDARD FOR MOLDERS 1998. SEE NOTES FOR MATERIAL AND COMMERCIAL OR FINE TOLERANCES	
DIMENSIONS ARE SHOWN IN MILLIMETERS. DIMENSIONS AND TOLERANCES ARE DEFINED ACCORDING TO ANSI/ASME Y14.5-1994.	
●	FIT/ FUNCTION CRITICAL CHARACTERISTICS
<S>	SAFETY/ COMPLIANCE CRITICAL CHARACTERISTICS SYMBOL
CPK	DENOTES CPK DIMENSIONS MINIMUM CPK VALUE
ST	DENOTES A CHARACTERISTIC THAT PROVIDES AN INDICATION OF PROCESS PERFORMANCE. PROCEDURE FOR MEASUREMENT AND TRACKING TO BE DEFINED IN LITTELFUSE INSPECTION INSTRUCTIONS
CP	DENOTES CP DIMENSIONS. -MINIMUM CP VALUE MUST BE WITHIN THE DIMENSIONAL LIMITATIONS SHOWN ON DRAWING AND INITIALLY LOCATED TO ALLOW FOR MAXIMUM TOOL LIFE
PER CHI-NPD20-0008 PROCEDURE	
NAME	DATE
DRAWN D.SILVA	1/6/2022
CHECKED -	-
-	-
-	-
FORM NO: CVP-PE40-0003 REV B	TITLE SINGLE ZCASE FUSE & STUD HOLDER
THIRD ANGLE PROJECTION	
DO NOT SCALE DRAWING	SCALE 1:1
SIZE B	DWG. NO. OL-901-525
REV. A	SHEET 1 OF 1