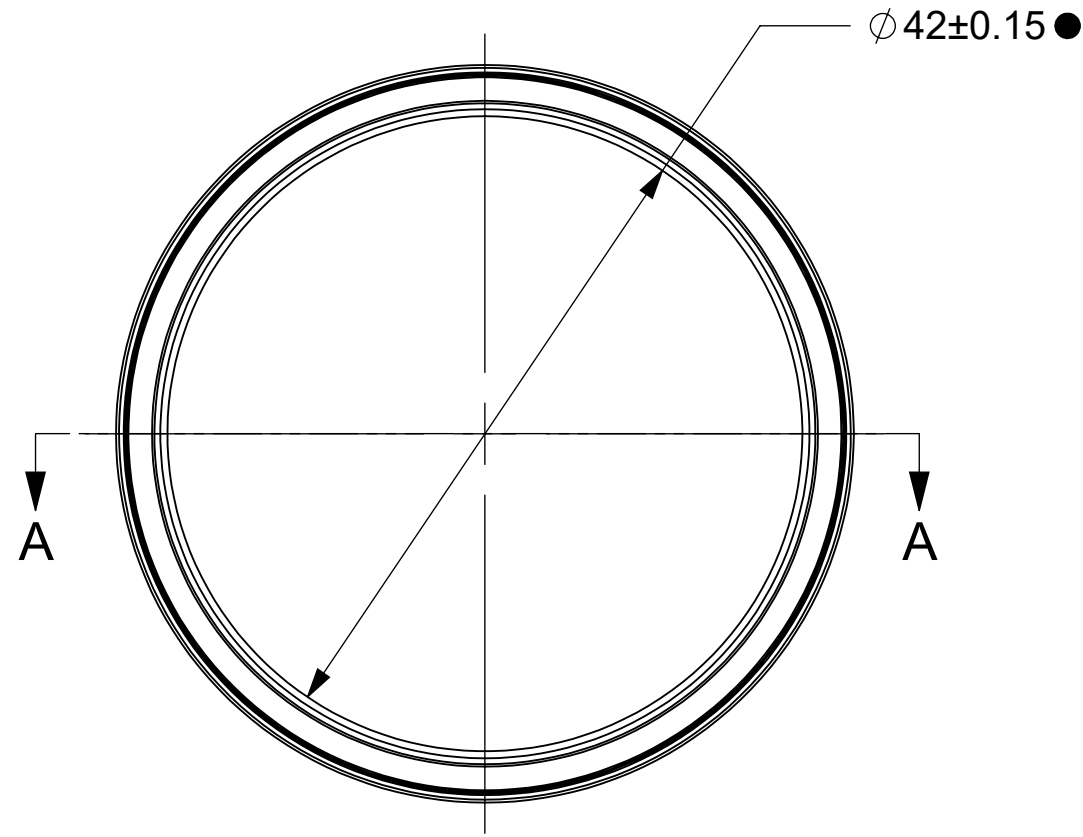
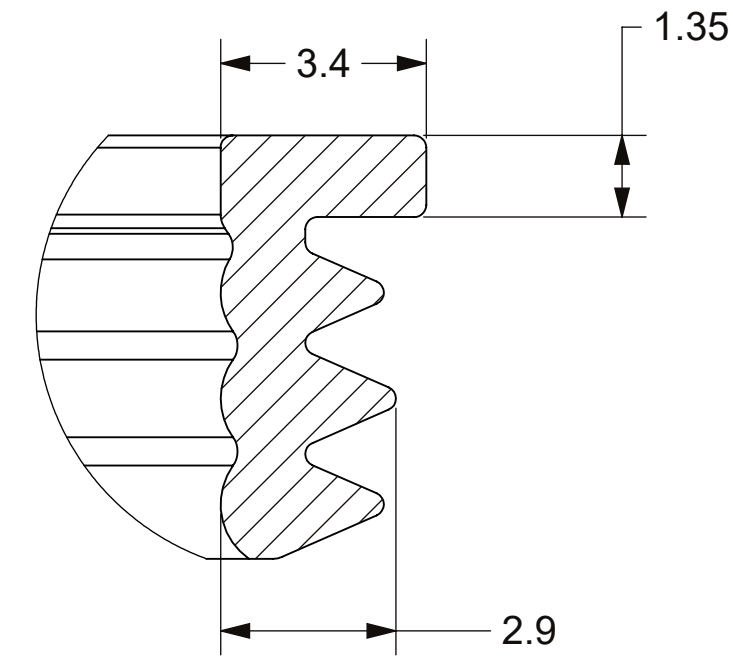
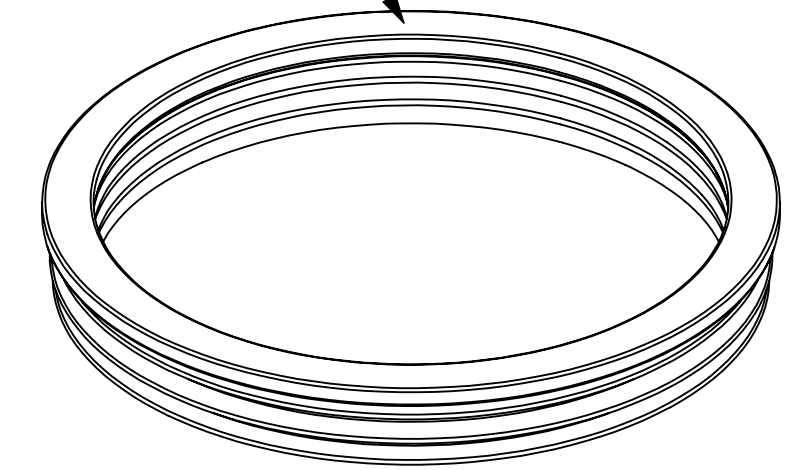


REVISIONS				
ZONE	REV.	DESCRIPTION	DATE	APPROVED
	A	PCO #5300103. INITIAL RELEASE. DSILVA.	10/4/2022	L.ARGIL



SURFACE SHOULD BE HIGH GLOSSY



DETAIL B  
SCALE 8:1



SECTION A-A

NOTES:

- ASSOCIATED 3D CAD FILE DEFINES ALL NON-DIMENSIONED FEATURES.
- MATERIAL SHALL BE SILICONE RUBBER, GREEN.

TOLERANCES UNLESS OTHERWISE SPECIFIED (REF. ISO2768-M)					
.5 to 3	>3 to 6	>6 to 30	>30 to 120	>120 to 400	ANGLE
±0.10	±0.10	±0.20	±0.30	±0.50	±0.5°

DIMENSIONS ARE SHOWN IN MILLIMETERS. DIMENSIONS AND TOLERANCES ARE DEFINED ACCORDING TO ANSI/ASME Y14.5-1994.

●	FTI/ FUNCTION CRITICAL CHARACTERISTICS
<S>	SAFETY/ COMPLIANCE CRITICAL CHARACTERISTICS SYMBOL
CPK	DENOTES CPK DIMENSIONS MINIMUM CPK VALUE
(ST)	DENOTES A CHARACTERISTIC THAT PROVIDES AN INDICATION OF PROCESS PERFORMANCE. PROCEDURE FOR MEASUREMENT AND TRACKING TO BE DEFINED IN LITTELFUSE INSPECTION INSTRUCTIONS
CP	DENOTES CP DIMENSIONS. -MINIMUM CP VALUE MUST BE WITHIN THE DIMENSIONAL LIMITATIONS SHOWN ON DRAWING AND INITIALLY LOCATED TO ALLOW FOR MAXIMUM TOOL LIFE

NAME	DATE
DSILVA	7/19/2022
CHECKED	-
-	-
-	-

FORM NO. CVP-PE40-0005 REV B  
THIRD ANGLE PROJECTION

**Littelfuse**  
Expertise Applied | Answers Delivered

TITLE: SILICON RUBBER GREEN

SIZE: C DWG. NO.: OL-901-326 REV. A  
DO NOT SCALE DRAWING SCALE 2:1 SHEET 1 OF 1