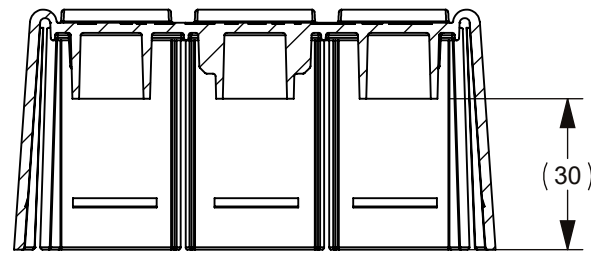
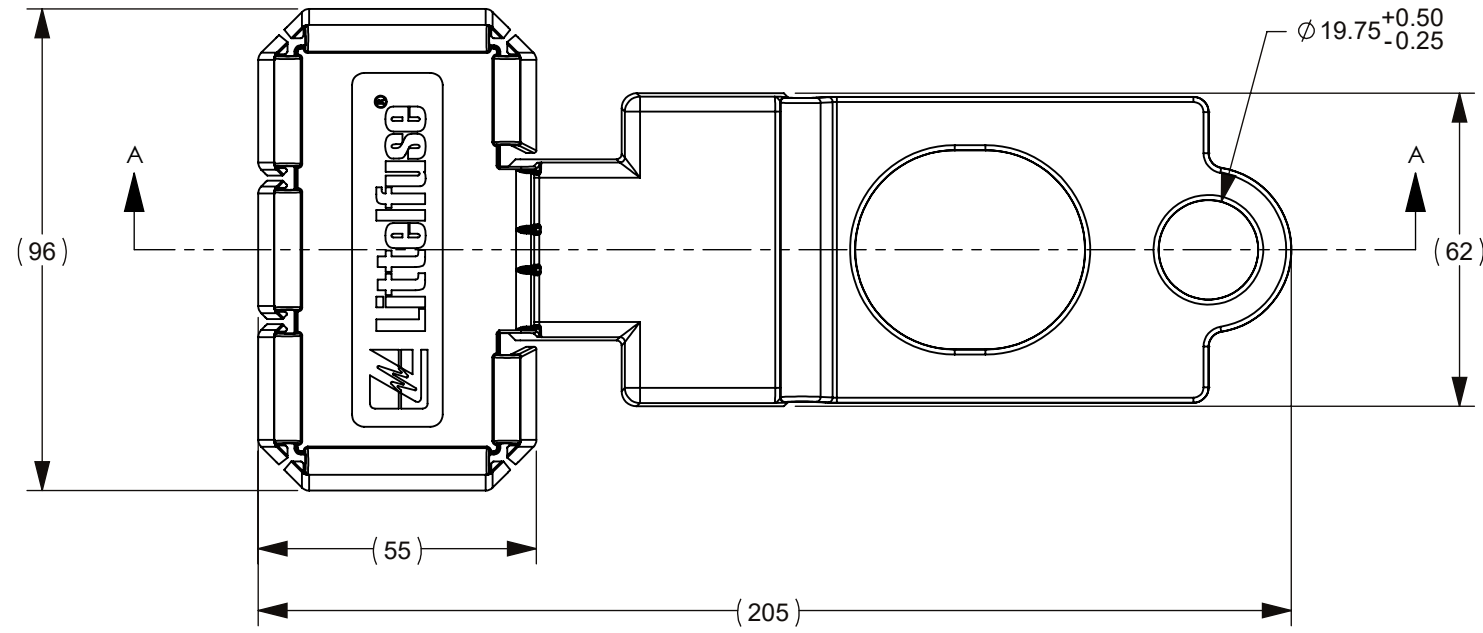


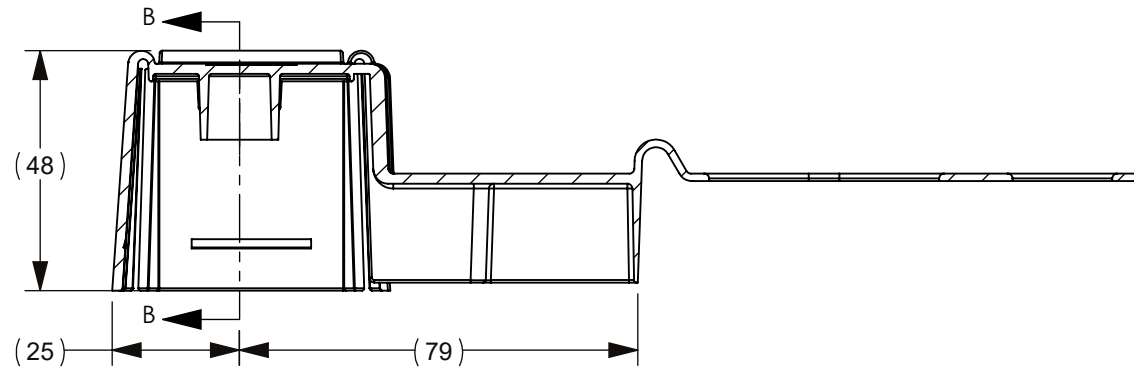
THIS DRAWING AND THE INFORMATION CONTAINED WITHIN IT ARE CONFIDENTIAL AND MAY NOT BE COPIED OR DISCLOSED WITHOUT THE WRITTEN PERMISSION OF LITTELFUSE.

NOTES

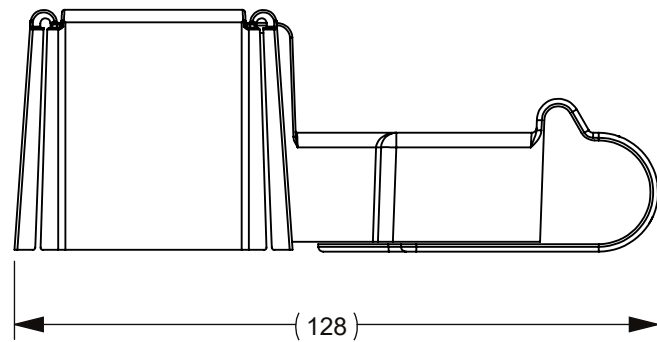
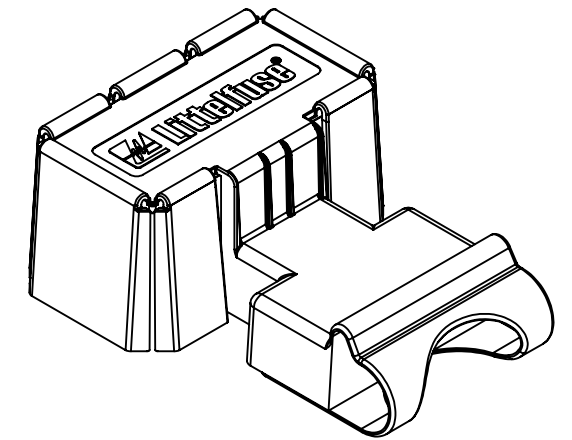
1. OPERATING TEMPERATURE: -40° TO 125°C
2. MATERIAL: TPV
3. COLOR: RED



SECTION B-B
SCALE 1 : 1.5

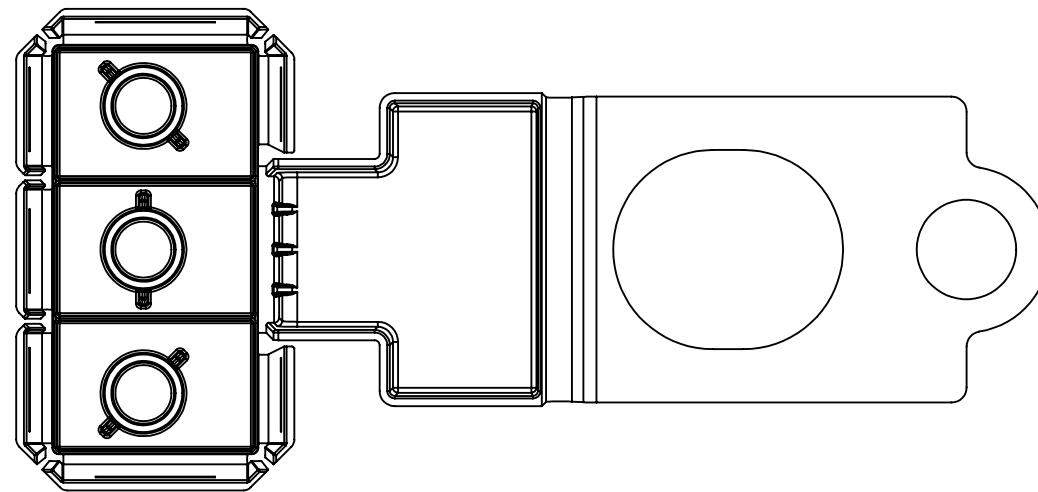


SECTION A-A
SCALE 1 : 1.5


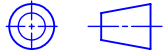


AS ASSEMBLED

LENGTH DEPENDENT ON CABLE
SIZE USED IN ASSEMBLY



REVISIONS				
ZONE	REV.	DESCRIPTION	DATE	APPROVED
	A	INITIAL RELEASE GCF 522593	7/7/2020	L ARGIL

INTERPRET DRAWING TO ANSI/ASME Y14.5-1994.				
●	FIT/ FUNCTION CRITICAL CHARACTERISTICS SYMBOL			
<S>	SAFETY/ COMPLIANCE CRITICAL CHARACTERISTICS SYMBOL			
CPK	DENOTES CPK DIMENSIONS MINIMUM CPK VALUE			
ST	DENOTES A CHARACTERISTIC THAT PROVIDES AN INDICATION OF PROCESS PERFORMANCE PROCEDURE FOR MEASUREMENT AND TRACKING TO BE DEFINED IN LITTELFUSE INSPECTION INSTRUCTIONS			
CP	DENOTES CP DIMENSIONS. -MINIMUM CP VALUE MUST BE WITHIN THE DIMENSIONAL LIMITATIONS SHOWN ON DRAWING AND INITIALLY LOCATED TO ALLOW FOR MAXIMUM TOOL LIFE			
DIMENSION: MM TOLERANCES UNLESS OTHERWISE SPECIFIED ONE PLACE DECIMAL ± 0.5 THREE PLACES DECIMAL ± 0.100 TWO PLACES DECIMAL ± 0.20 ANGULAR ± 2°				
	NAME	DATE		
DRAWN	LVOGL	07/07/2020		
CHECKED	-	-		
	-	-		
	-	-		
FORM NO: CVP-PE40-0004 REV A			 Expertise Applied Answers Delivered	
THIRD ANGLE PROJECTION				
			TITLE Cover - Zcase Fuse Holder	
SIZE	DWG. NO.	REV.		
B	OL-901-325	A		
DO NOT SCALE DRAWING			SCALE 1:2	SHEET 1 OF 1