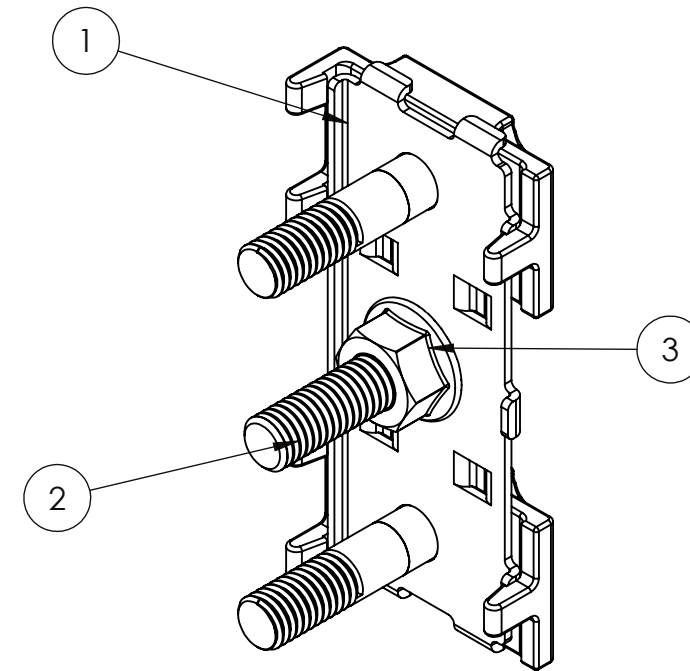
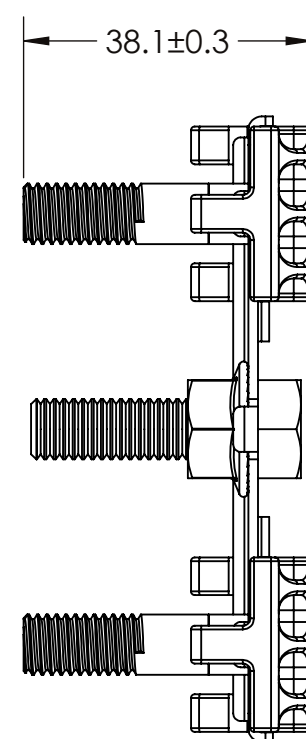
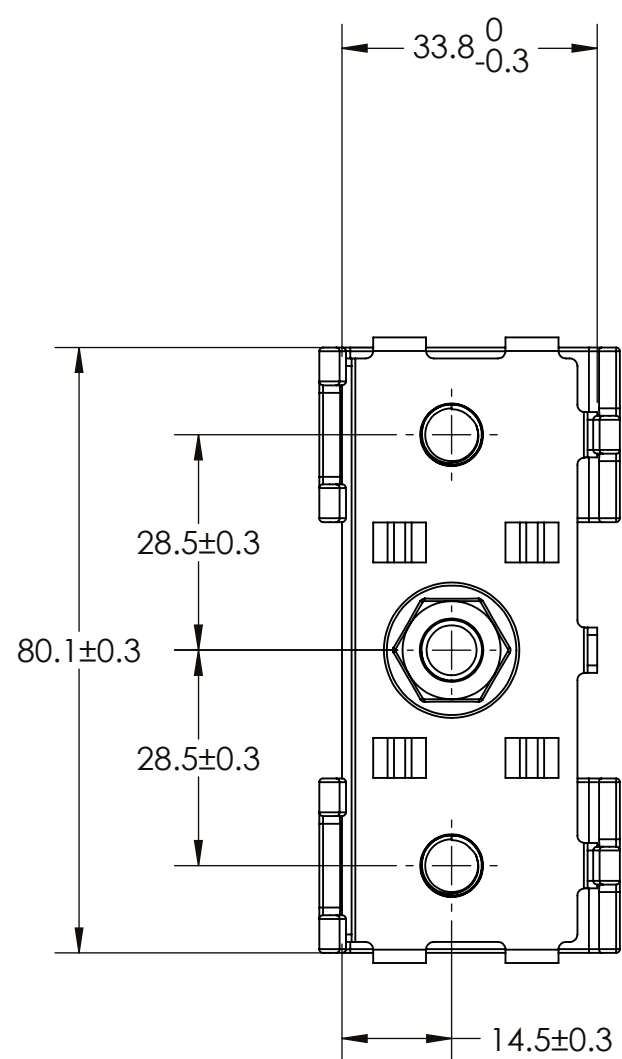
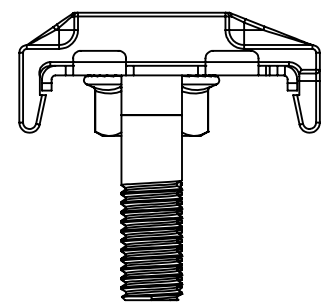


THIS DRAWING AND THE INFORMATION CONTAINED WITHIN IT ARE CONFIDENTIAL AND MAY NOT BE COPIED OR DISCLOSED WITHOUT THE WRITTEN PERMISSION OF LITTELFUSE.

REVISIONS				
ZONE	REV.	DESCRIPTION	DATE	APPROVED
	A	GCF #524724 INITIAL RELEASE. D.SILVA.	1/25/2022	L.ARGIL



ITEM NO.	PART NUMBER	DESCRIPTION	QTY.
3	-	M8 x 1.25 SERRATED FLANGE HEX NUT SS	1
2	-	BOLT M8x1.25x30 SS	1
1	882-855	SUB ASSM Z-CASE FUSE HOLDER 2WAY	1

NOTES:

- ALL DIMENSIONS ARE FOR REFERENCE
- MATERIAL:
 - ZCASE FUSE HOLDER:
 - BUSBAR: COPPER ALLOY
 - POLYPHTHALAMIDE (PPA)
 - STANDARD M8 BOLT
- BOLT M8x1.25: STAINLESS STEEL (TO BE BAGGED)
- HEX NUT M8X1.25: STAINLESS STEEL (TO BE BAGGED)
- MOUNTING METHOD: M8 STUD MOUNT
- MAX VOLTAGE RATING: 32 VDC
- FUSE TERMINAL TORQUE: 14±2 Nm

DIMENSIONS ARE SHOWN IN MILLIMETERS. DIMENSIONS AND TOLERANCES ARE DEFINED ACCORDING TO ANSIA/SME Y14.5-1994.

PER CHNFPD00-008 PROCEDURE

- FIT/ FUNCTION CRITICAL CHARACTERISTICS
- <S> SAFETY/ COMPLIANCE CRITICAL CHARACTERISTICS SYMBOL
- CPK DENOTES CPK DIMENSIONS MINIMUM CPK VALUE
- (ST) DENOTES A CHARACTERISTIC THAT PROVIDES AN INDICATION OF PROCESS PERFORMANCE. PROCEDURE FOR MEASUREMENT AND TRACKING TO BE DEFINED IN LITTELFUSE INSPECTION INSTRUCTIONS
- CP DENOTES CP DIMENSIONS. -MINIMUM CP VALUE MUST BE WITHIN THE DIMENSIONAL LIMITATIONS SHOWN ON DRAWING AND INITIALLY LOCATED TO ALLOW FOR MAXIMUM TOOL LIFE

NAME	DATE
DRAWN: D.SILVA	1/8/2022
CHECKED: -	-
-	-
-	-

FORM NO. CVP-PE40-0005 REV B
THIRD ANGLE PROJECTION

DO NOT SCALE DRAWING

Littelfuse
Expertise Applied | Answers Delivered

TITLE: ZCASE HOLDER ASS 2WAY

SIZE: C DWG. NO.: OL-882-854 REV. A
SCALE: 1:1 SHEET 1 OF 1