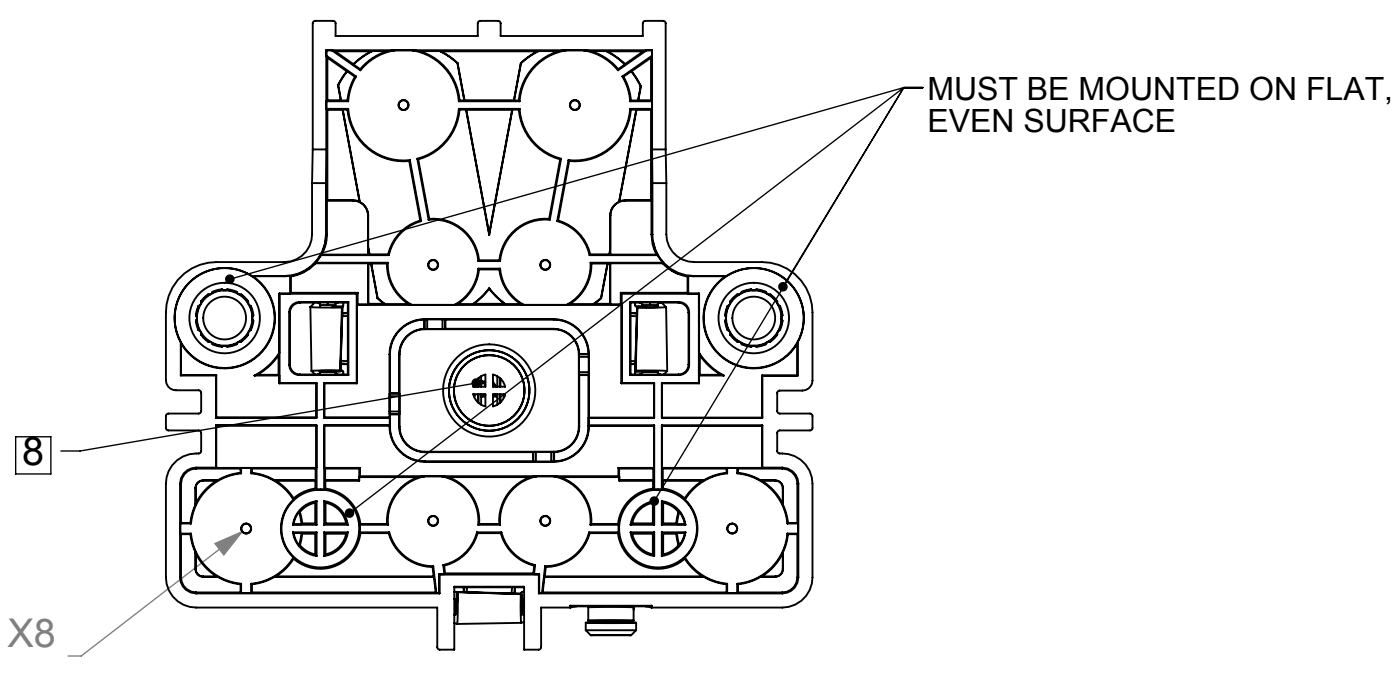
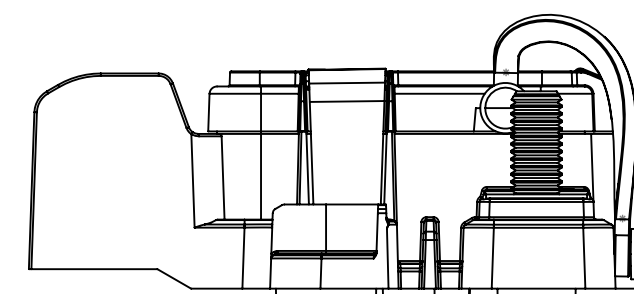
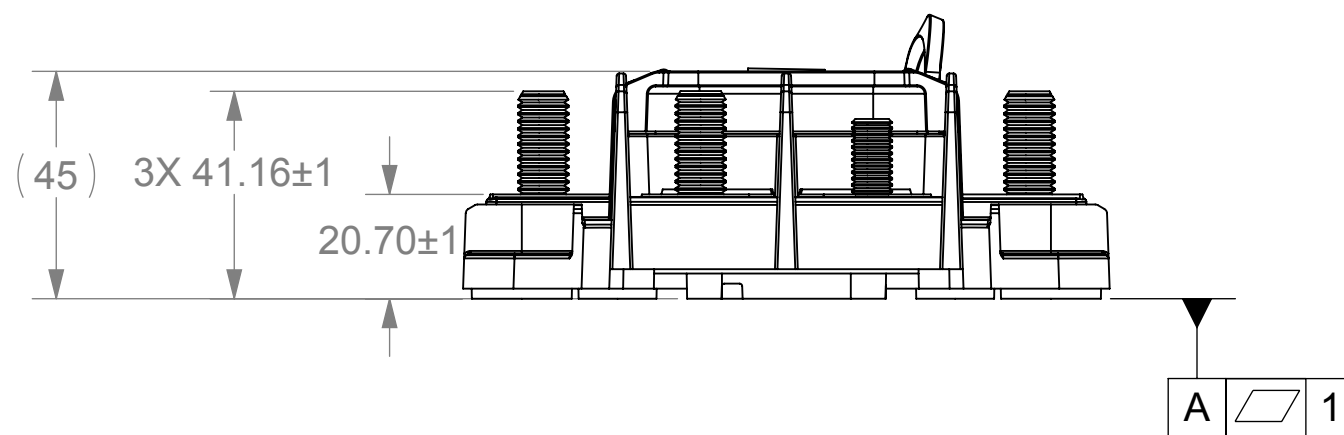
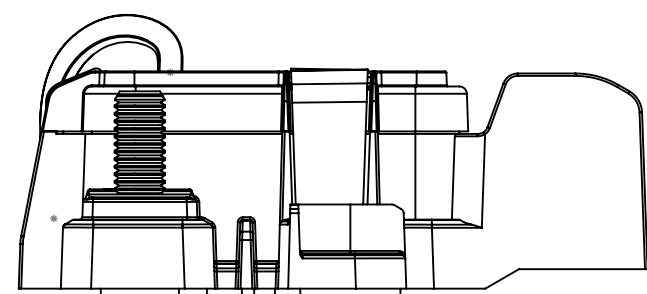
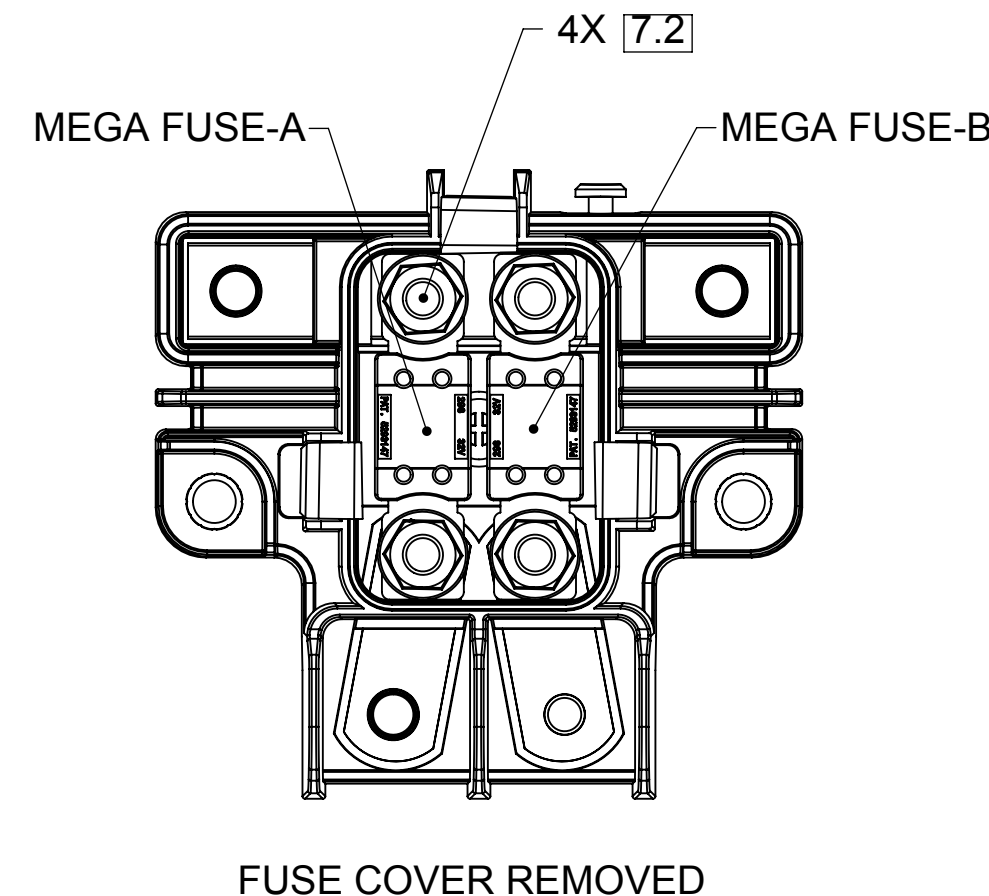
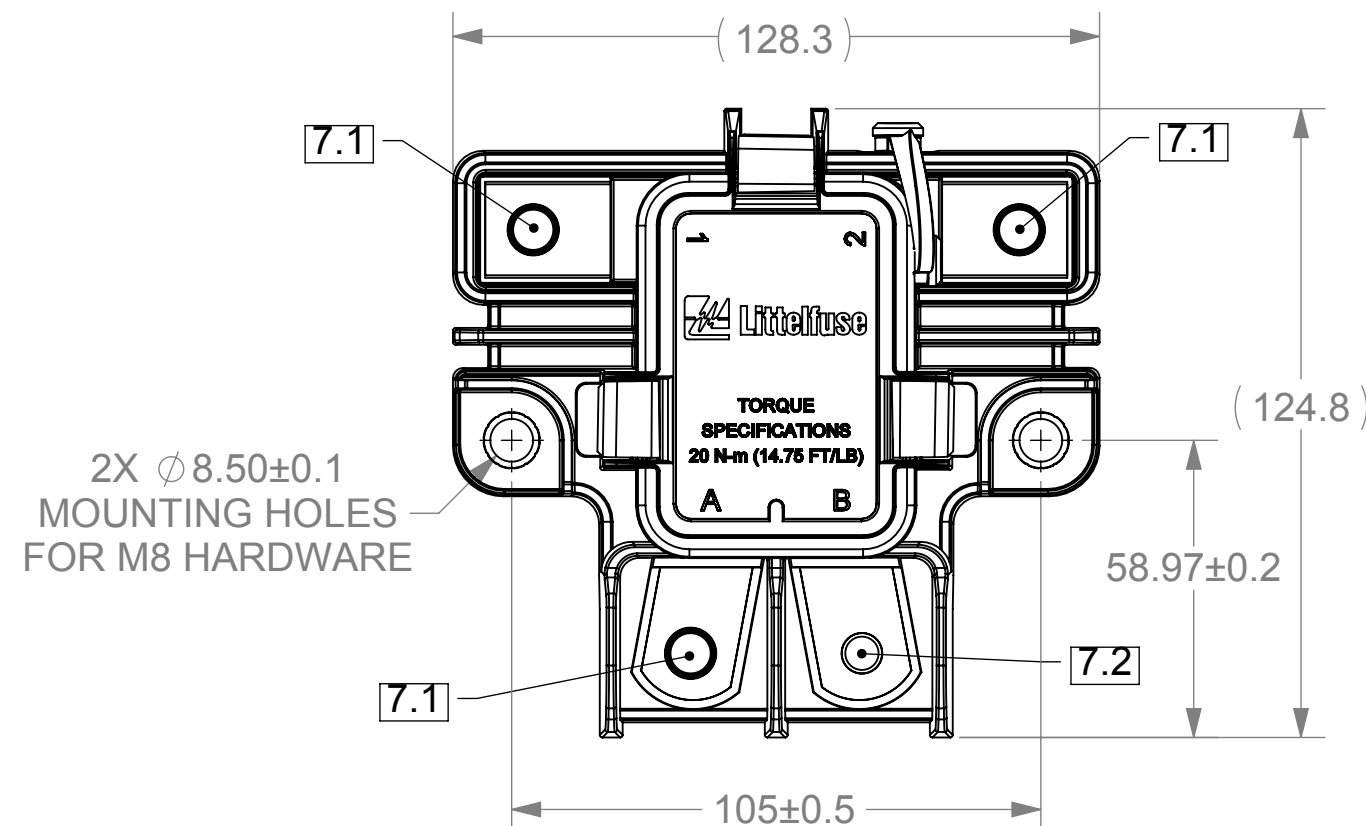
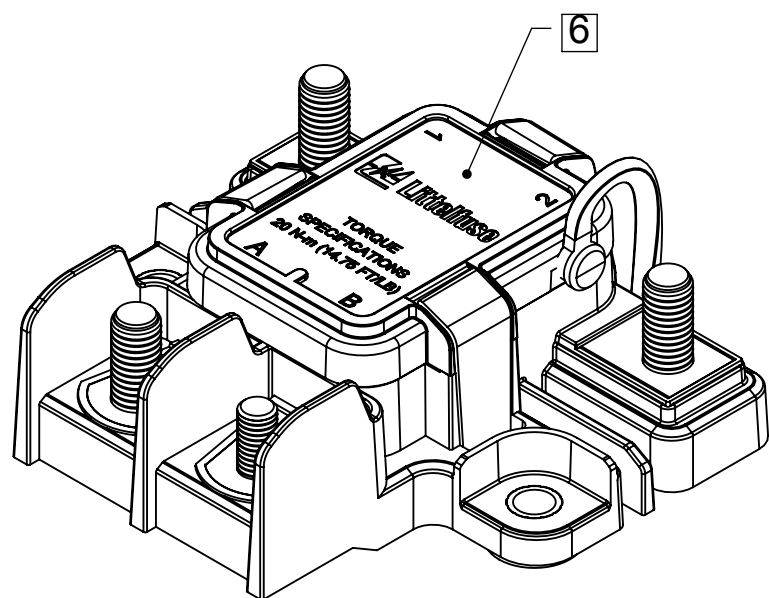


NOTES:

1. DRAWING SHOWN WITH FUSES INSTALLED, REFER TO CHART FOR DETAILS
2. ALL STUDS TO BE STAINLESS STEEL WITH ROLLED THREADS
3. ALL BUS BARS TO BE TIN PLATED COPPER
4. WEIGHT EST 350 grams
5. RECOMMENDED TORQUE VALUES:
 1. MEGA FUSES - 15 N-m \pm 1.36 (11 ft-lb \pm 1)
 2. TERMINALS - 28.5 N-m \pm 1.36 (21 ft-lb \pm 1)
6. COVER LABEL (SEE CHART) PLACED ON OUTSIDE OF COVER
7. RECOMMENDED HARDWARE (TO BE INSTALLED AT LESS THAN 300 RPM);
 1. M10x1.50 18-8 STAINLESS STEEL
 2. M8x1.25 18-8 STAINLESS STEEL
8. LOCATION OF GORE VENT
9. MATERIAL:
 - HOUSING: GLASS FILLED NYLON 94V-0 COVER: GLASS FILLED PC 94V-0
10. MIN/MAX TEMPERATURE RATING: OPERATIONAL: -50C~105C NON-OPERATIONAL: -55C~125C
11. MAX CURRENT INPUT: 600 AMPS
12. MAX ASSEMBLY TORQUE (PRODUCT TO MOUNTING SURFACE): 30 N-m

REVISIONS				
ZONE	REV.	DESCRIPTION	DATE	APPROVED
	A	PER EC510604: INITIAL RELEASE	6/4/2014	J LIU



LITTELFUSE P/N	FUSE A P/N	FUSE B P/N
880195100	0298250.ZXEH	0298150.ZXEH
880195200	0298200.ZXEH	0298200.ZXEH
880195300	0298250.ZXEH	0298250.ZXEH
880195400	N/A	N/A
880195500	0298100.ZXEH	0298100.ZXEH

DIMENSIONS ARE IN MM.
 DIMENSIONS AND TOLERANCES ARE DEFINED ACCORDING TO ANSI / ASME Y14.5M-1994
 THIS DRAWING AND THE INFORMATION CONTAINED WITHIN IT ARE CONFIDENTIAL AND MAY NOT BE COPIED OR DISCLOSED WITHOUT THE WRITTEN PERMISSION OF LITTELFUSE.

NAME	DATE
DRAWN J. LIU	6/4/2014
CHECKED	



POWER PDM 2 POSITION W- GASKET

THIRD ANGLE PROJECTION

SIZE C	DWG. NO. OL-880195000	REV. A
SCALE 2:3		SHEET 1 OF 1