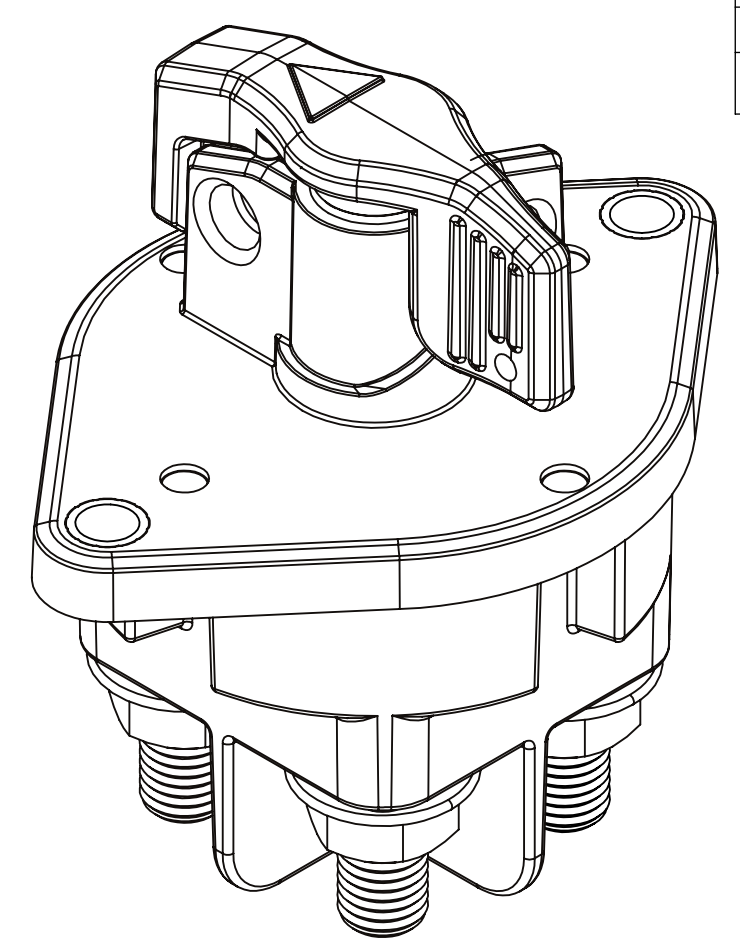
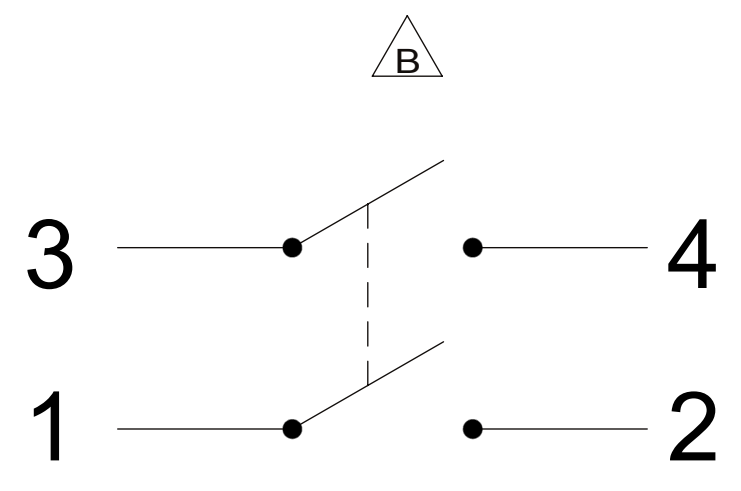


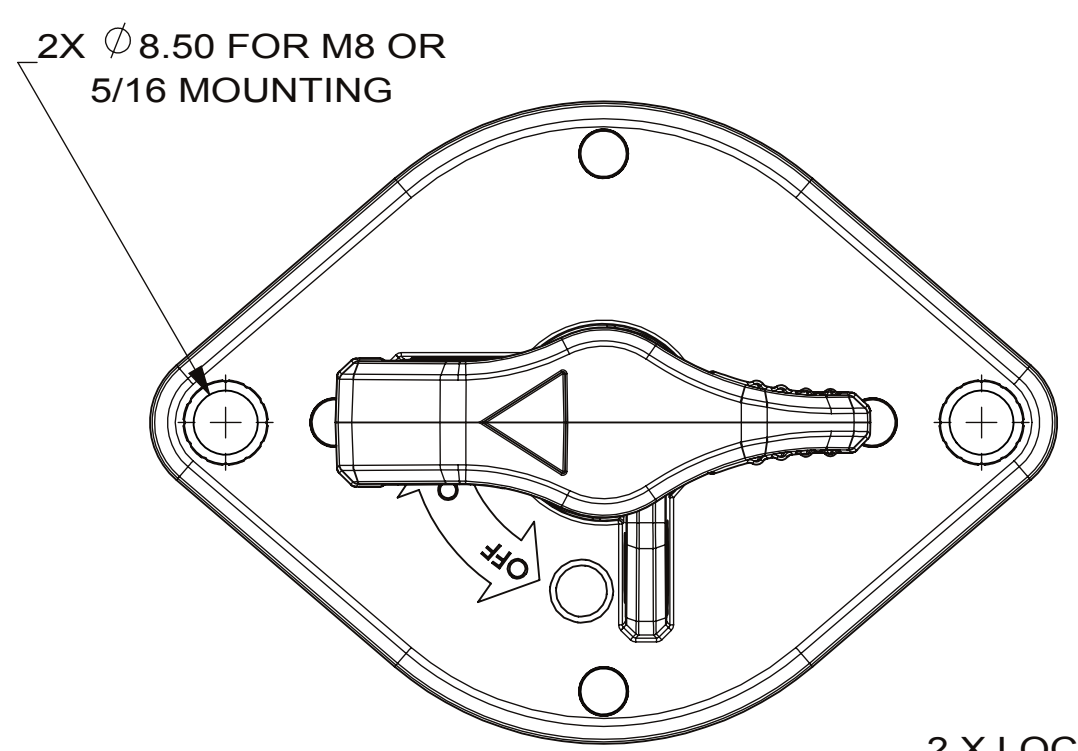
| REVISIONS | | | | |
|-----------|------|---|------------|------------|
| ZONE | REV. | DESCRIPTION | DATE | APPROVED |
| | A | INITIAL DWG RELEASE | 4/10/2013 | M. MILLSON |
| | B | PER EC#509902: UPDATED SCHEMATIC | 10/21/2013 | V.BELOUS |
| | C | PER EC#510572: CORRECTED BOM ERROR ON THE SECOND PAGE | 6/4/2014 | J. LIU |
| | D | PER GCF #518972: ADD NEW P/N FOR RED/YELLOW KNOB AND UPDATE NOTES | 02/26/2018 | J. LI |

- NOTES: (UNLESS OTHERWISE SPECIFIED)
- ALL DIMENSIONS ARE REFERENCE ONLY
 - MATERIAL AND FINISHED:
 - HOUSING: THERMOPLASTIC
 - KNOB: THERMOPLASTIC
 - STUD: COPPER TIN PLATED
 - NUT: STAINLESS STEEL
 - INTERNAL BUSBAR: COPPER
 - INGRESS PROTECTION RATING IS IP67 & IP69K
 - MAXIMUM CONTINUOUS CURRENT:
 - 500A PER CIRCUIT, WITH 2 x 4/0 INPUT AND 2 x 4/0 OUTPUT CABLES
 - 350A PER CIRCUIT, WITH 1 x 4/0 INPUT AND 1 x 4/0 OUTPUT CABLES
 - MAXIMUM OPERATING VOLTAGE 48V
 - TERMINAL STUD SIZE M12X25mm, RECOMMENDED TERMINAL TORQUE 20 Nm
 - RECOMMENDED MOUNTING TORQUE 15Nm
 - OPERATING TEMPERATURE RANGE: -50 °C TO +85 °C, DC-RATED TO 105°C

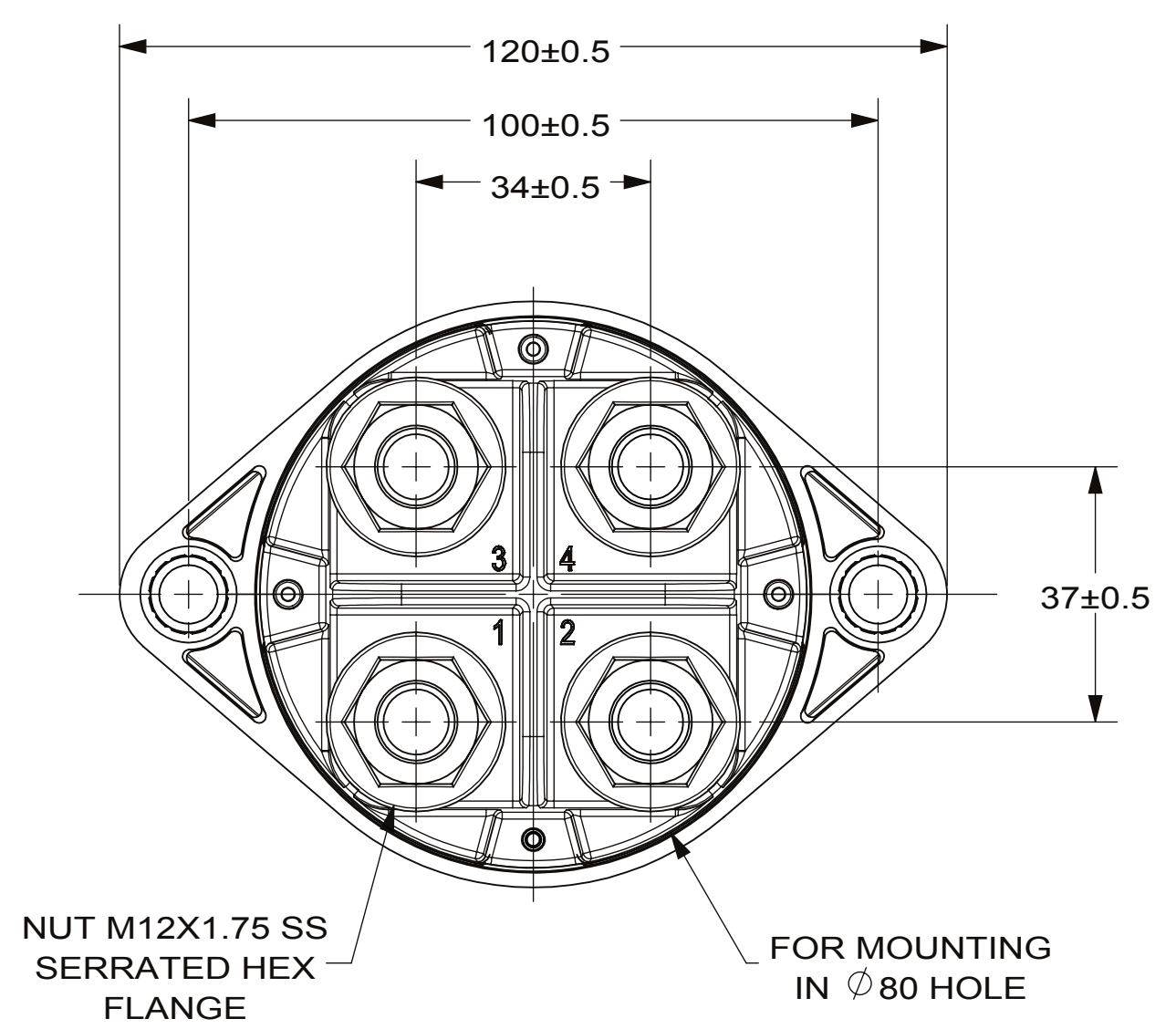
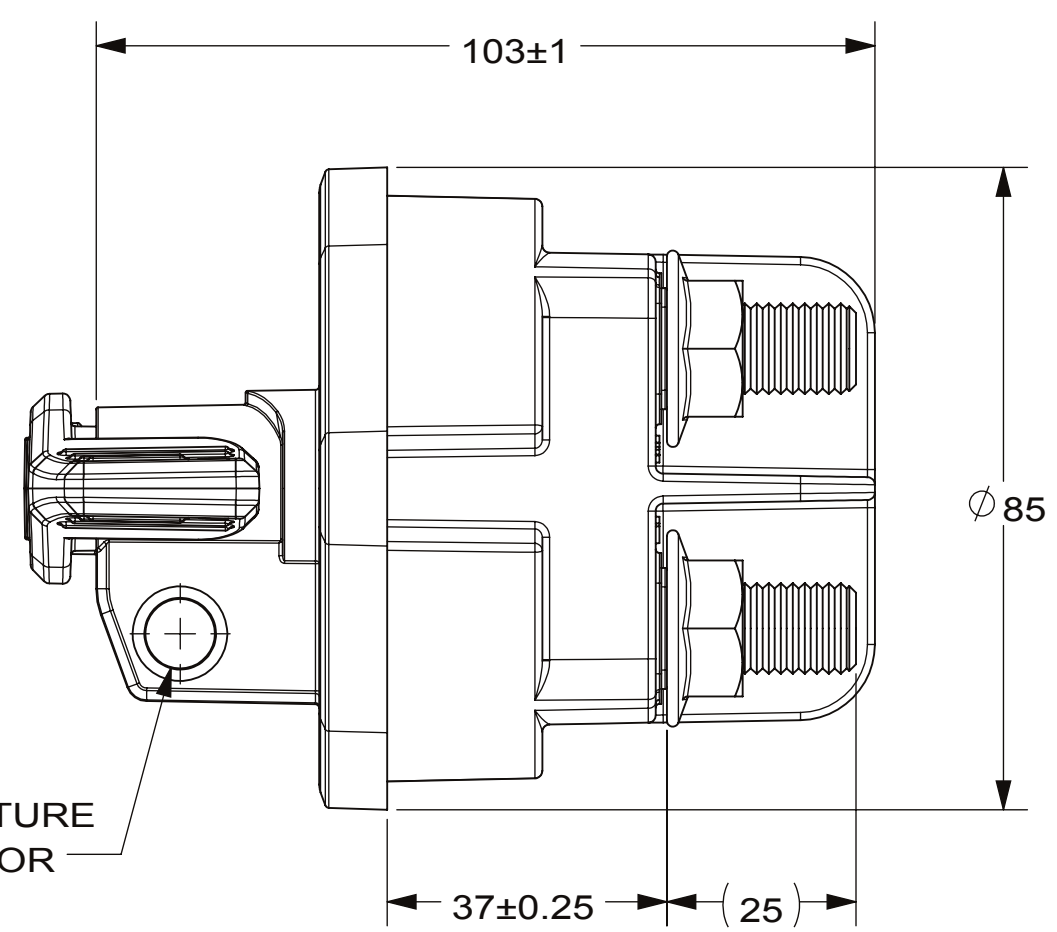
SCHEMATIC



| CONFIGURATION CHART | | |
|---------------------|------------|--------|
| PRODUCT NUMBER | KNOB COLOR | REMARK |
| 880175 | BLACK | |
| 880175-0001 | RED | |
| 880175-0002 | YELLOW | |



2 X LOCKOUT FEATURE ACCEPTS HASP OR PADLOCK



DIMENSIONS ARE SHOWN IN MILLIMETERS. DIMENSIONS AND TOLERANCES ARE DEFINED ACCORDING TO ANSI/ASME Y14.5-1994.

- FIT FUNCTION CRITICAL CHARACTERISTICS SYMBOL
- <S> SAFETY/ COMPLIANCE CRITICAL CHARACTERISTICS SYMBOL
- CPK DENOTES CPK DIMENSIONS MINIMUM CPK VALUE
- (ST) DENOTES A CHARACTERISTIC THAT PROVIDES AN INDICATION OF PROCESS PERFORMANCE PROCEDURE FOR MEASUREMENT AND TRACKING TO BE DEFINED IN LITTELFUSE INSPECTION INSTRUCTIONS
- CP DENOTES CP DIMENSIONS. MINIMUM CP VALUE MUST BE WITHIN THE DIMENSIONAL LIMITATIONS SHOWN ON DRAWING AND INITIALLY LOCATED TO ALLOW FOR MAXIMUM TOOL LIFE.

DIMENSION: MM TOLERANCES UNLESS OTHERWISE SPECIFIED
 ONE PLACE DECIMAL ± 0.5 THREE PLACES DECIMAL ± 0.100
 TWO PLACES DECIMAL ± 0.20 ANGULAR ± 2°

| NAME | DATE |
|-----------------|----------|
| DRAWN: V.Belous | 2/6/2012 |
| CHECKED: - | - |
| - | - |

Littelfuse
Expertise Applied | Answers Delivered

FORM NO: CVP-PE40-0006 REV A
 THIRD ANGLE PROJECTION

TITLE: Switch Master TR 2 Pole 300A

DO NOT SCALE DRAWING SCALE 1:2 SHEET 1 OF 1