

4

3

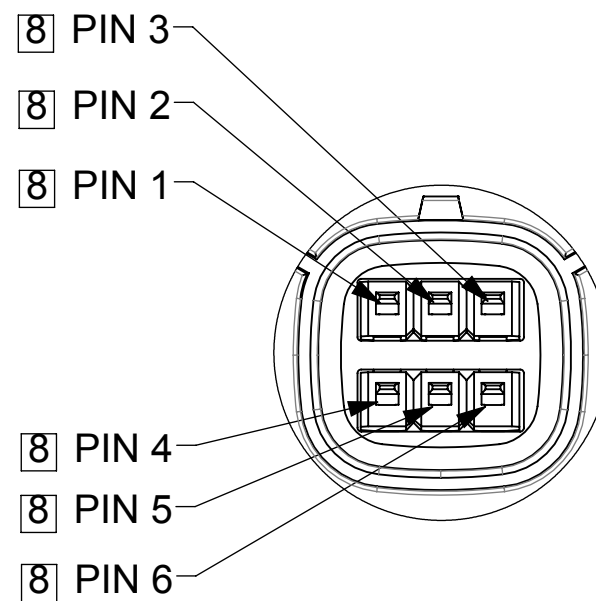
2

1

NOTES: (UNLESS OTHERWISE SPECIFIED)

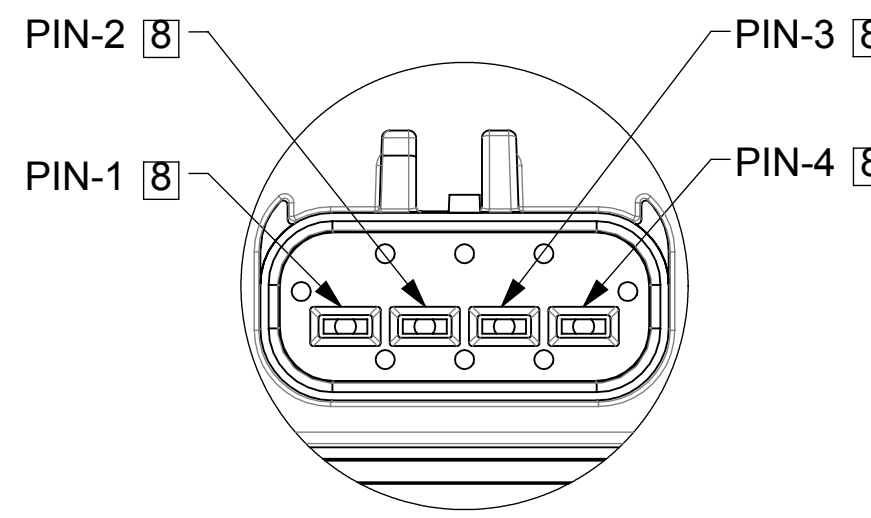
- 1. ASSOCIATED CAD FILE DEFINES ALL NON-DIMENSIONED FEATURES.
- 2. UNIT WEIGHT: 0.25 Kg.
- 3. FUSES SHOWN FOR REFERENCE ONLY. FOR MORE INFORMATION SEE FUSE TABLE.
- 4. TORQUE FOR M8 FASTENERS = 20N-m (14.75 Ft-Lb)
- 5. BOTTOM OF THE UNIT SHOULD NEVER FACE UP.
- 6. INSTALLATION TORQUE FOR PAN PHILIPS HEAD SCREW = 3.0 N-m (27 in-lb)
- 7. MAXIMUM APPLICABLE SCREW LENGTH = 13MM
- 8. PIN CALLOUT: REFER TO PIN CALLOUT TABLE FOR DETAILS.

REVISIONS				
ZONE	REV.	DESCRIPTION	DATE	APPROVED
	A	PER EC#515700: INITIAL RELEASE OUTLINE DRAWING	3/22/2016	J. LIU
	B	PER EC#516023: ADDED TWO DETAIL VIEWS, ADDED FUSE TABLE AND PIN CALLOUT TABLE, MODIFIED NOTES	6/16/2016	J. LIU



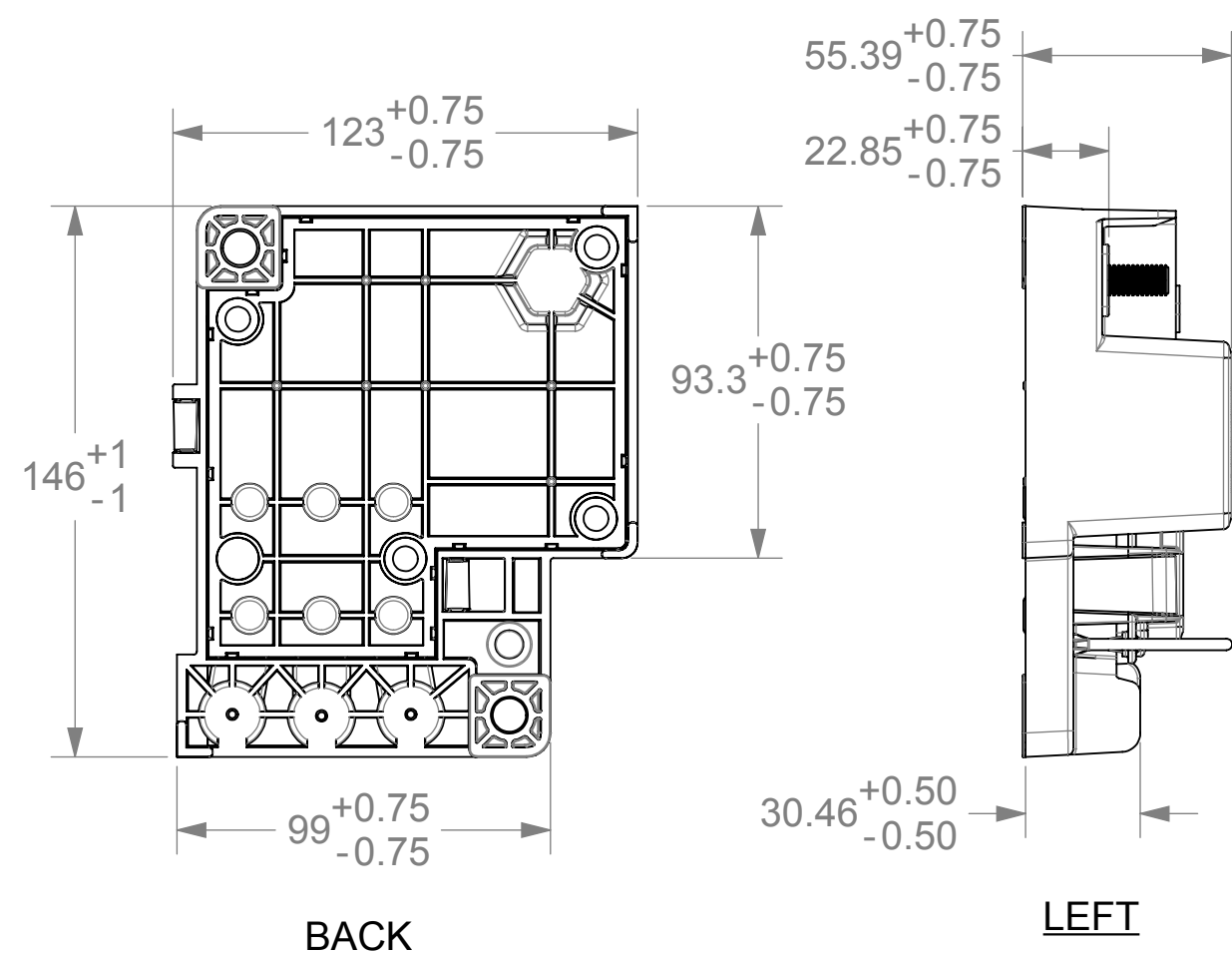
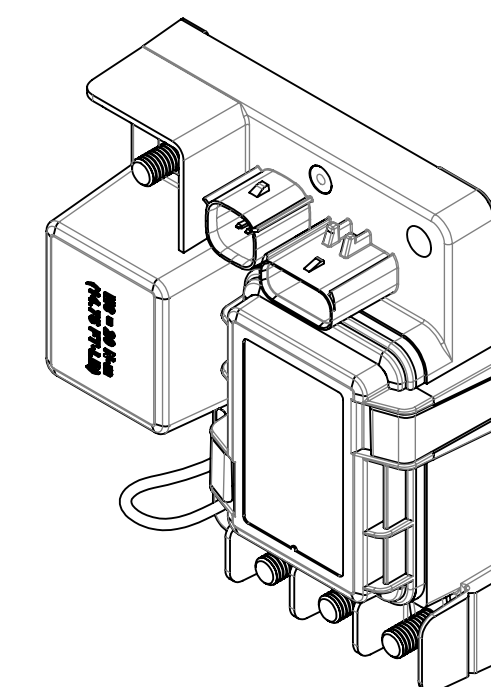
DETAIL A
SCALE 2 : 1

CONNECTOR FOR PRIMARY SOLENOID CONTROL
MATE WITH 23-13662-600



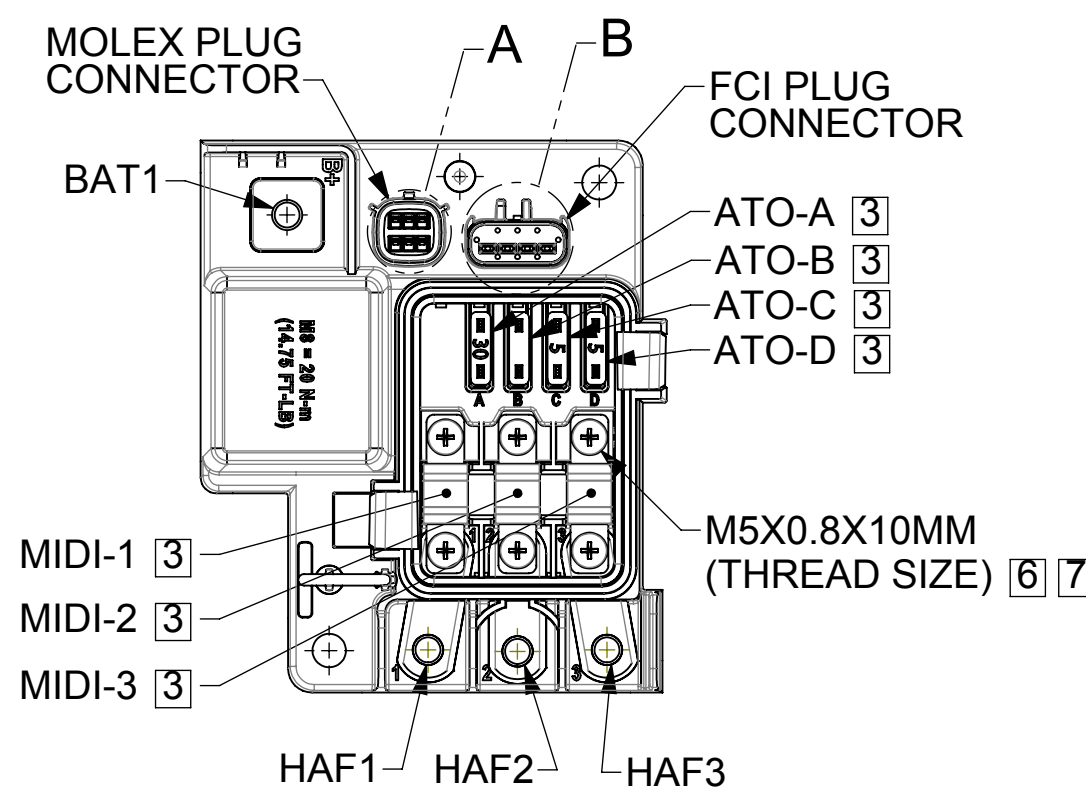
DETAIL B
SCALE 2 : 1

CONNECTOR FOR KEEP ALIVE CIRCUIT
MATE WITH 23-13153-410

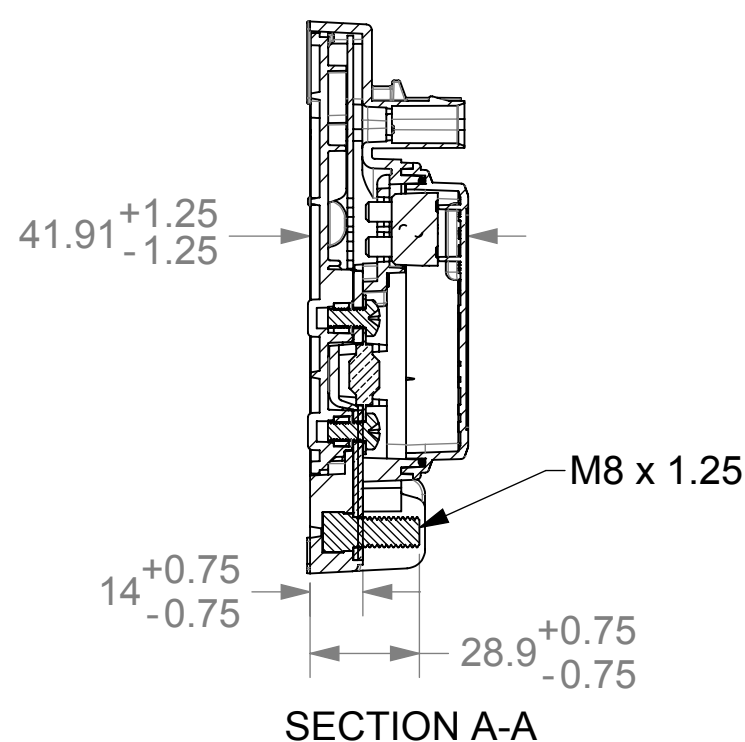
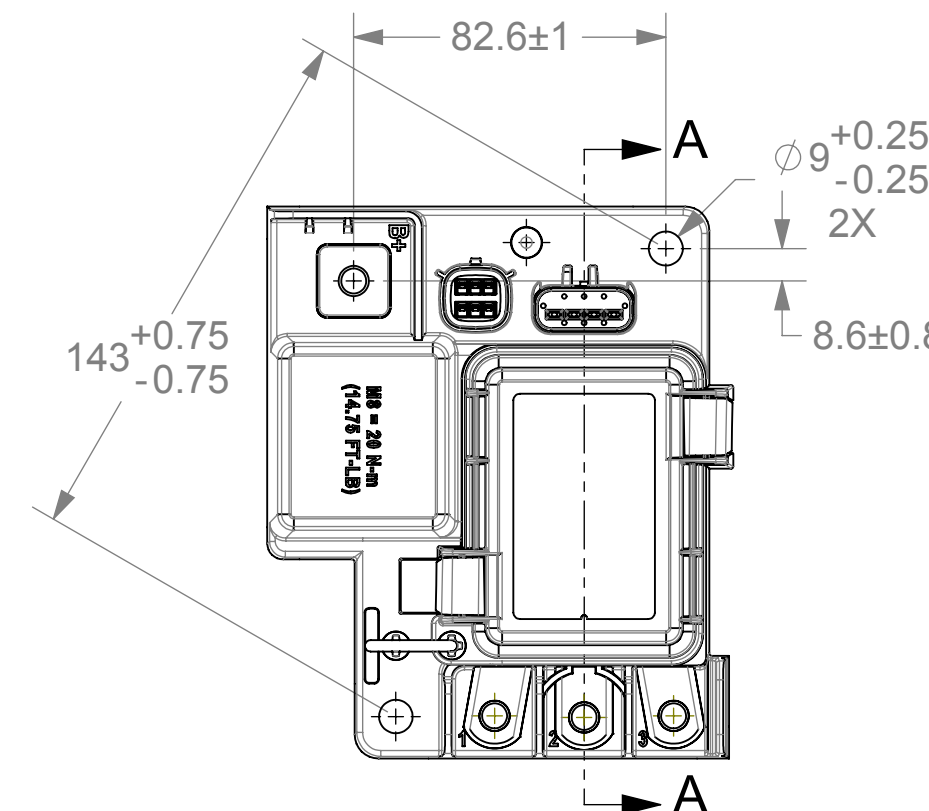


BACK

LEFT



COVER NOT SHOWN



SECTION A-A

FUSE TABLE		
FUSE	DESCRIPTION	MAX. FUSE ALLOWED
ATO-A	KEEP ALIVE POWER	30 AMS
ATO-B	KEEP ALIVE POWER	30 AMPS
ATO-C	KEEP ALIVE POWER	30 AMPS
ATO-D	KEEP ALIVE POWER	30 AMPS
MIDI-1 (FUSE-1)	HIGH AMP FUSE	200 AMPS
MIDI-2 (FUSE-2)	HIGH AMP FUSE	200 AMPS
MIDI-3 (FUSE-3)	HIGH AMP FUSE	200 AMPS

PIN CALLOUT TABLE			
6-PIN MOLEX		4-PIN FCI	
PIN #	FUNCTION	PIN #	FUNCTION
1	GROUND	1	OUTPUT ATO-A
2	OFF SIGNAL	2	OUTPUT ATO-B
3	LED PULL DOWN	3	OUTPUT ATO-C
4	SW POWER	4	OUTPUT ATO-D
5	SW INPUT		
6	GROUND		

DIMENSIONS ARE IN MM.
DIMENSIONS AND TOLERANCES ARE DEFINED ACCORDING TO ANSI / ASME Y14.5M-1994

THIS DRAWING AND THE INFORMATION CONTAINED WITHIN IT ARE CONFIDENTIAL AND MAY NOT BE COPIED OR DISCLOSED WITHOUT THE WRITTEN PERMISSION OF LITTELFUSE.

THIRD ANGLE PROJECTION

NAME	DATE
J. LIU	3/22/2016
CHECKED	-
-	-
-	-
-	-

Littelfuse
Expertise Applied | Answers Delivered
805 W. Orchard Dr., Ste. 6, Bellingham, WA 98225
Phone (360)738-9010 Fax (360)738-0372

Power Dist Module SL

SIZE	DWG. NO.	REV.
C	OL-880075	B

SCALE 1:2 SHEET 1 OF 1

4

3

2

1