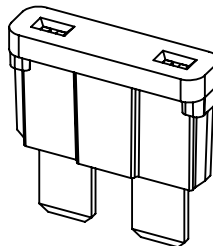
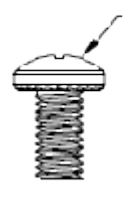
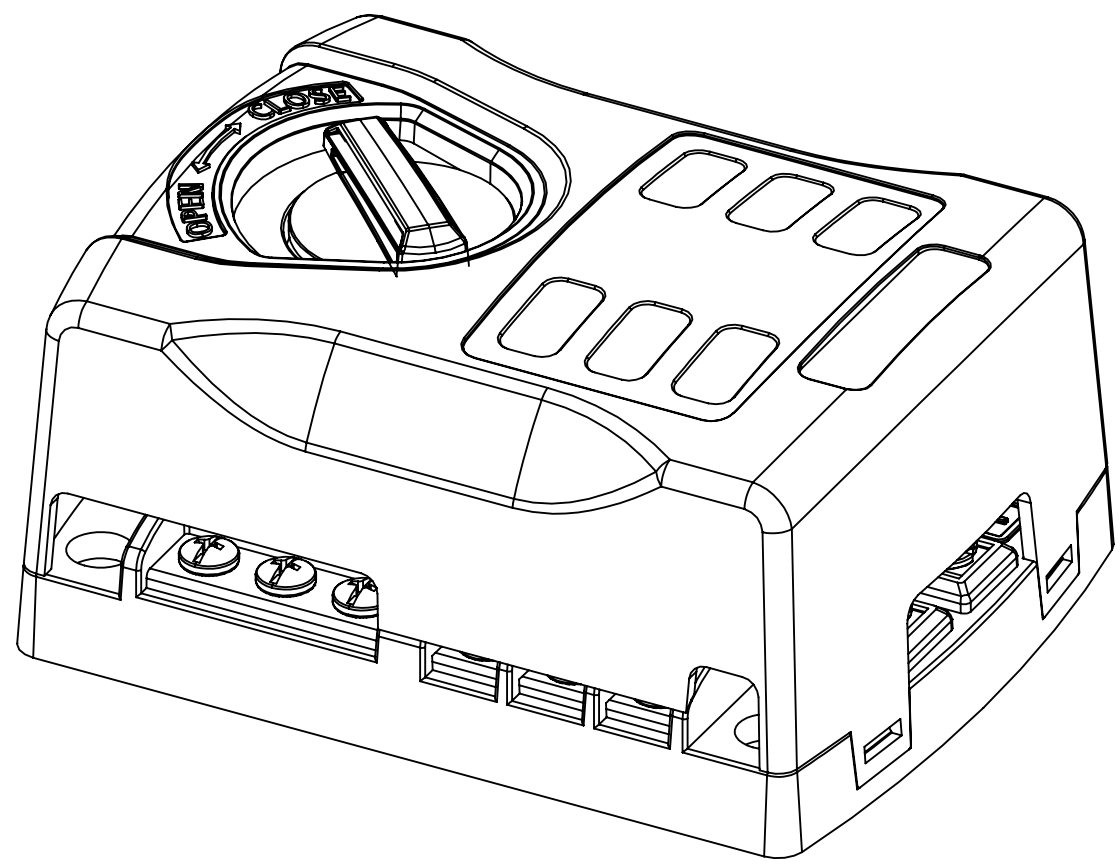
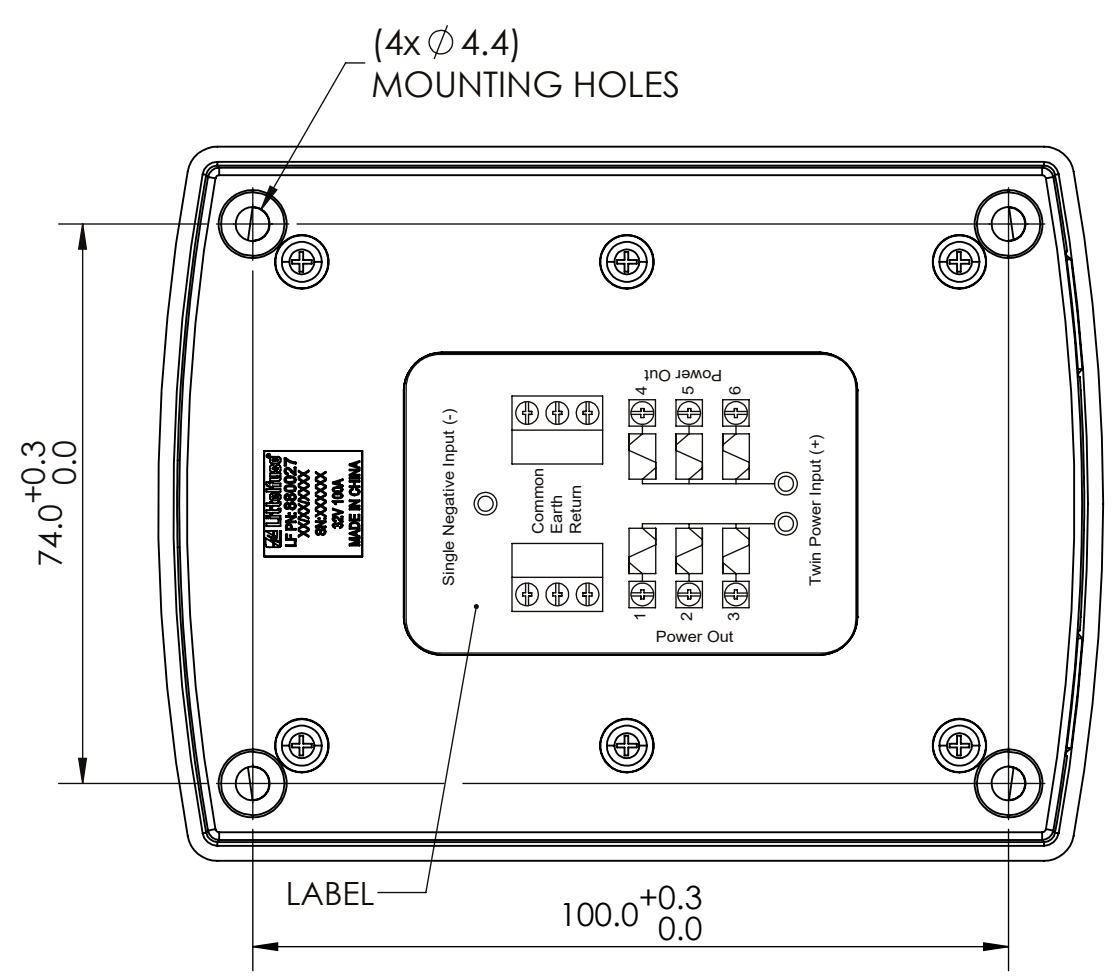
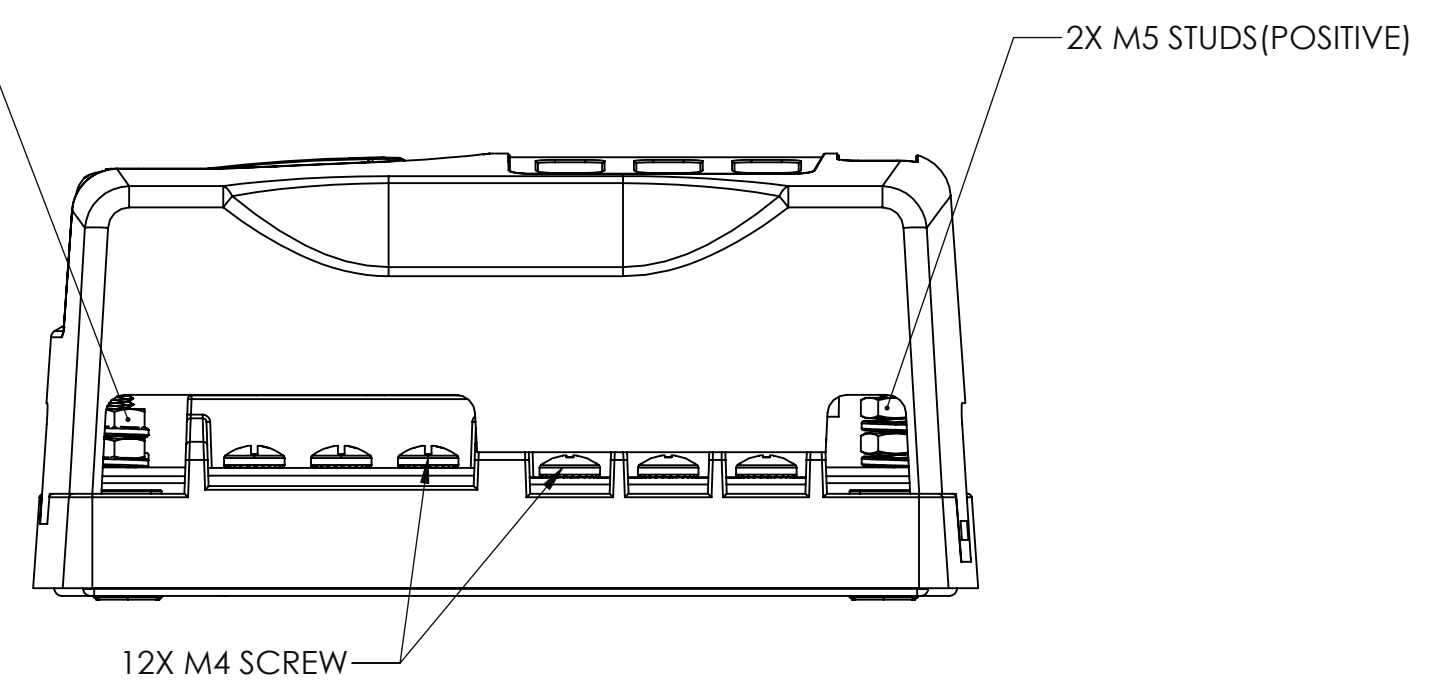
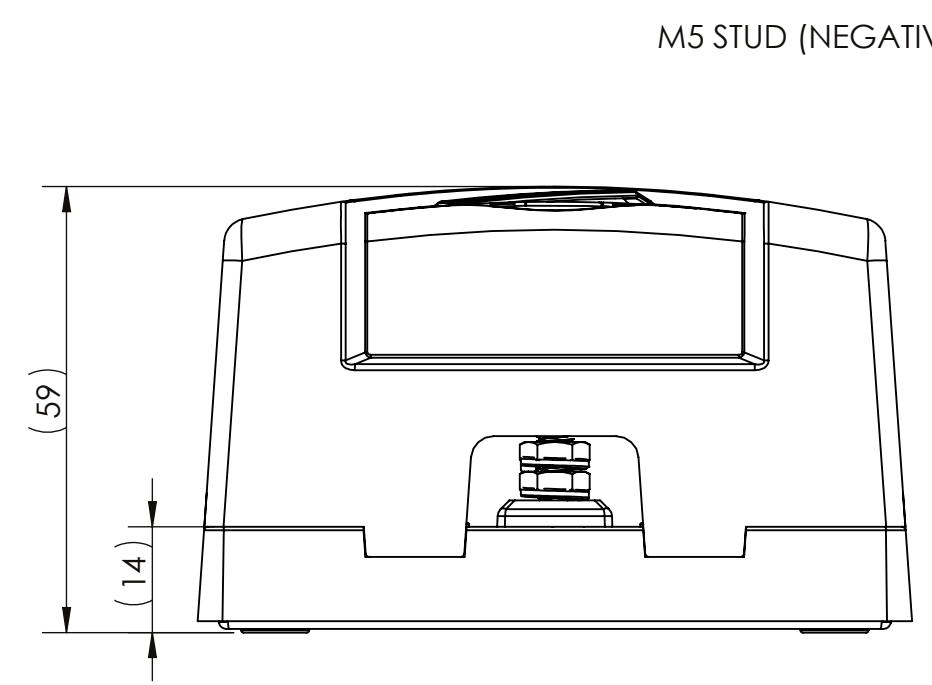
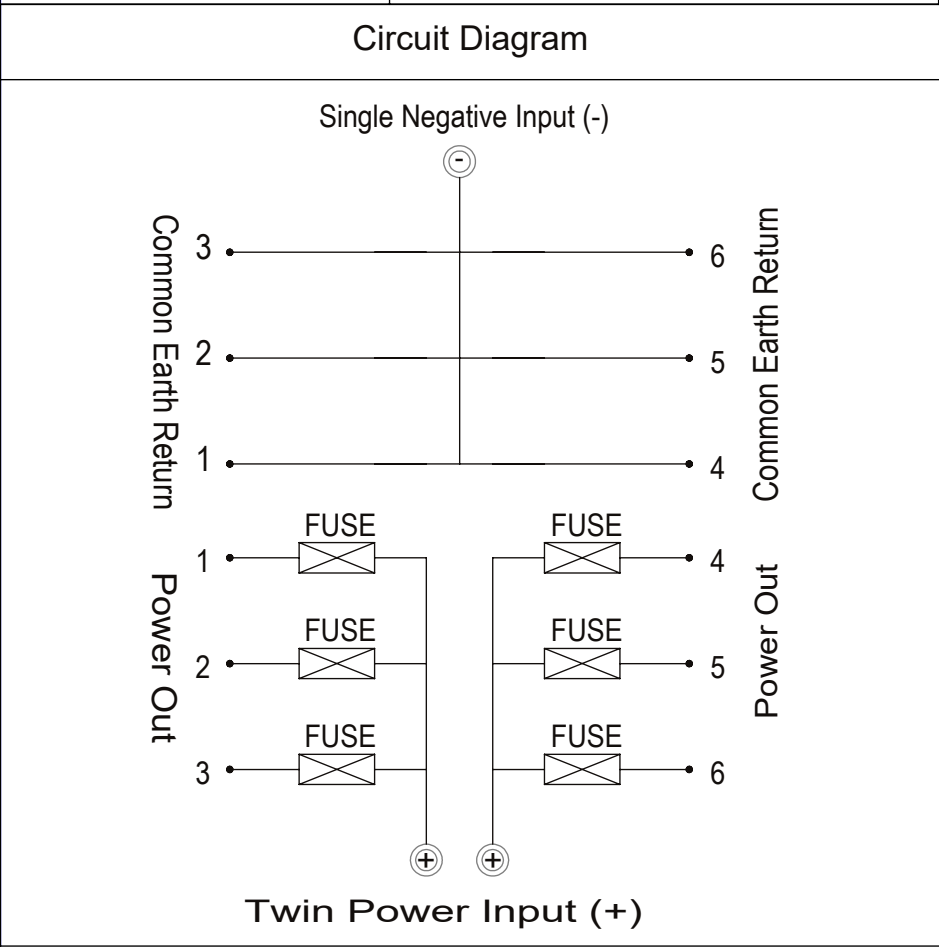
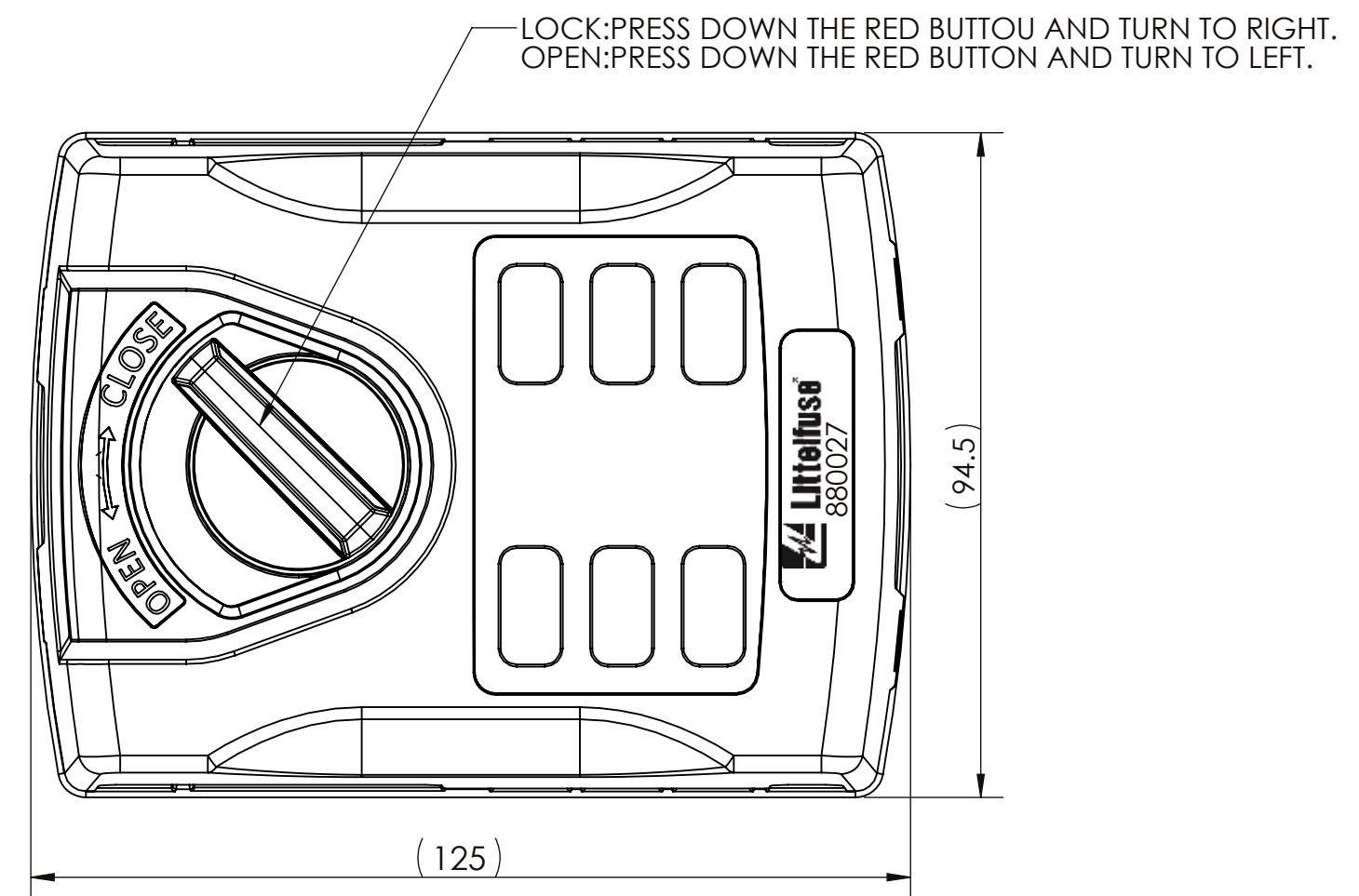




THIS DRAWING AND THE INFORMATION CONTAINED WITHIN IT ARE CONFIDENTIAL AND MAY NOT BE COPIED OR DISCLOSED WITHOUT THE WRITTEN PERMISSION OF LITTELFUSE.

REVISIONS				
ZONE	REV.	DESCRIPTION	DATE	APPROVED
	A	522970GCC NEW RELEASE DRAWING	04/MAR/2021	EDWARD.J
	B	523692 ECC ADD LASER MARKING	11/MAY/2021	EDWARD.J

Voltage (Max.)	32VDC	Mounting Screw	Blade Fuse Isometric View
Input Terminal Rating	M5 Threaded Studs(100A Max)	4xM4xP0.7xL16	
Output Terminal Rating	30A Max. Per Circuit		
Connection Pad Option Available	Input Wire Size:#4-6 AWG Output Wire Size:#12-16AWG		Blade Fuse Dim
Fuse Specifications	For ATO Blade Fuses Only		ATO SERIEIS
Torque Rating for M5 Studs	2.25+0/-0.2Nm(20 in-lb)		
Torque Rating for M4 Screws			
Mounting Torque Rating	0.9+0/-0.1Nm(8 in-lb)		
Temperature Rating	-25° C to +85° C		



- NOTES:
- MATERIALS:  
BASE/HOUSING: BLACK PBT  
COVER: TRANSPAREANCE PC  
TERMINAL:TINNED COPPER
  - FUSES ASSEMBLY BY HANDS.
  - ALL FUSES MUST NOT EXCEED 70% OF RATED CURRENT

DIMENSIONS ARE SHOWN IN MILLIMETERS. DIMENSIONS AND TOLERANCES ARE DEFINED ACCORDING TO ANSI/ASME Y14.5-1994.		
	FIT FUNCTION CRITICAL CHARACTERISTICS SYMBOL	
<S>	SAFETY/ COMPLIANCE CRITICAL CHARACTERISTICS SYMBOL	
CPK	DENOTES CPK DIMENSIONS MINIMUM CPK VALUE	
(ST)	DENOTES A CHARACTERISTIC THAT PROVIDES AN INDICATION OF PROCESS PERFORMANCE PROCEDURE FOR MEASUREMENT AND TRACKING TO BE DEFINED IN LITTELFUSE INSPECTION INSTRUCTIONS	
CP	DENOTES CP DIMENSIONS - MINIMUM CP VALUE MUST BE WITHIN THE DIMENSIONAL LIMITATIONS SHOWN ON DRAWING AND INITIALLY LOCATED TO ALLOW FOR MAXIMUM TOOL LIFE	
DIMENSION: MM TOLERANCES UNLESS OTHERWISE SPECIFIED ONE PLACE DECIMAL ± 0.5    THREE PLACES DECIMAL ± 0.100 TWO PLACES DECIMAL ± 0.20    ANGULAR ± 2°		
BRAWN	NAME	DATE
GHECKED	Jason Li	22/OCT/2020
FORM NO: CVP-PE40-0006 REV A		
THIRD ANGLE PROJECTION		
TITLE		
PDM 6 POS		
	SIZE	DWG. NO.
C	OL-880027	REV. B
DO NOT SCALE DRAWING		
SCALE 1:1		
SHEET 1 OF 1		