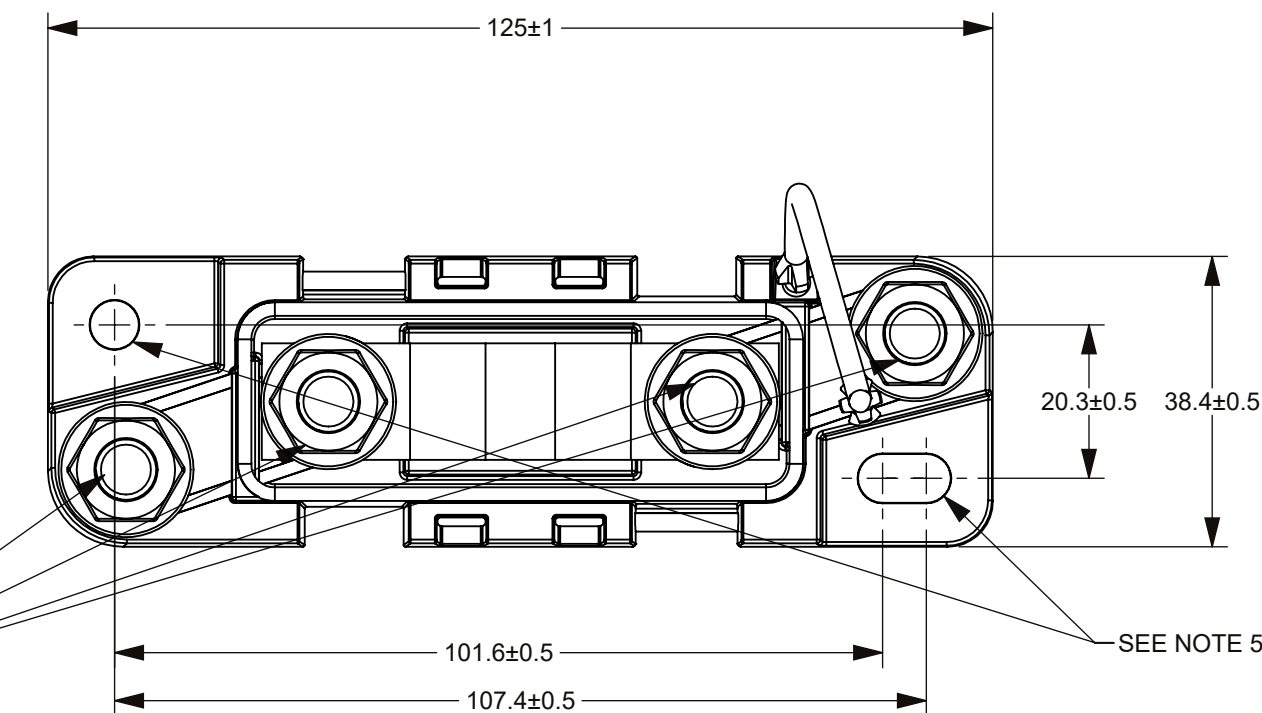
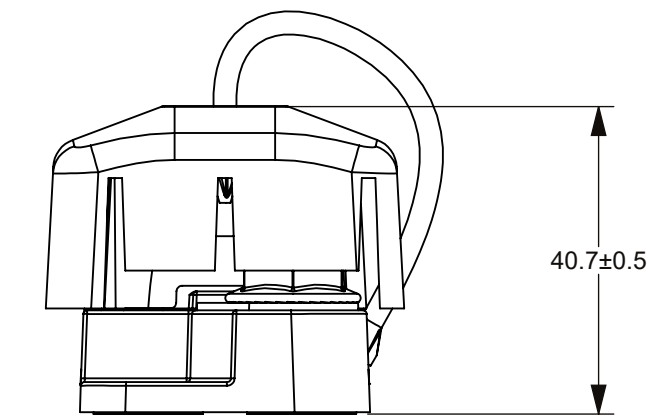
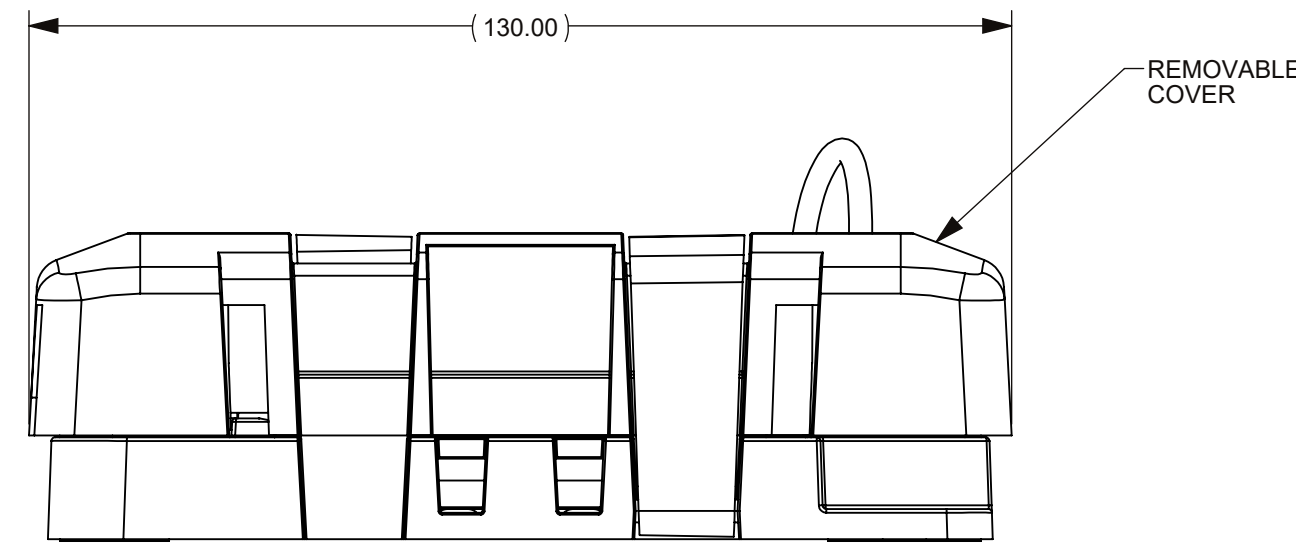
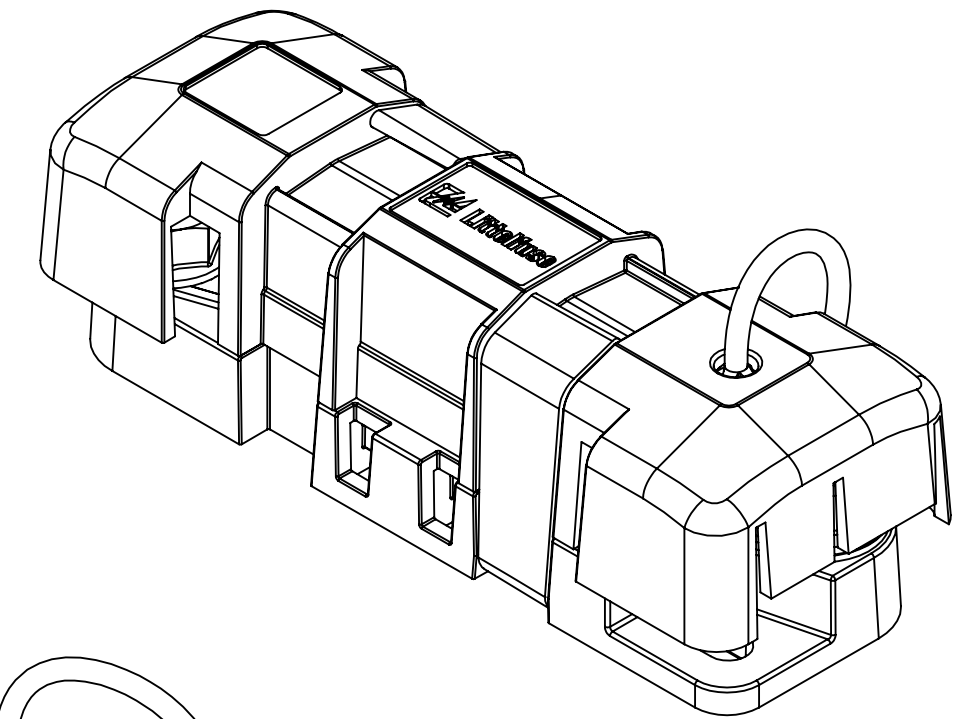
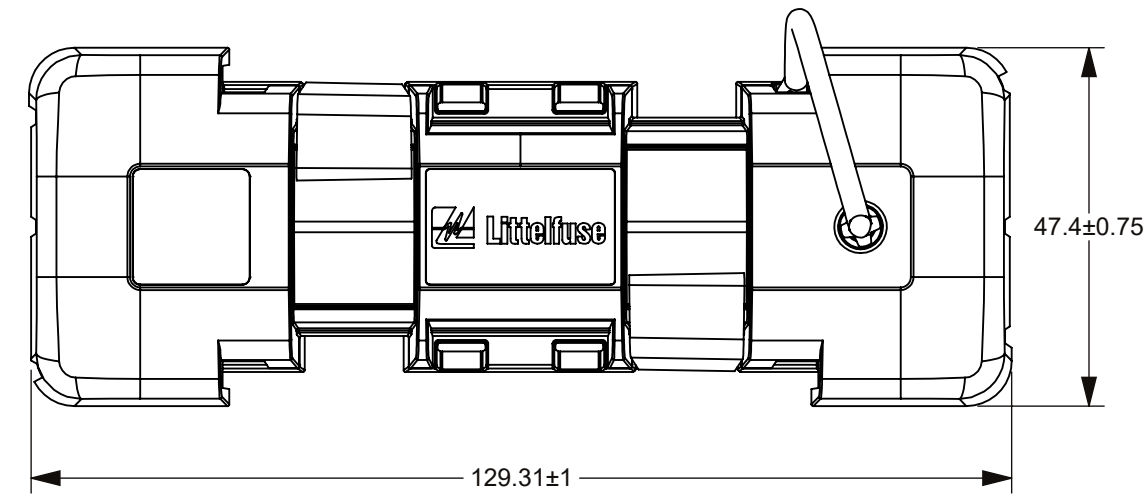


| REVISIONS | | | | |
|-----------|------|---------------------------------------|----------|----------|
| ZONE | REV. | DESCRIPTION | DATE | APPROVED |
| | A | PCO #5300036. INITIAL RELEASE. DSILVA | 3/7/2022 | L.ARGIL |

- NOTES: (UNLESS OTHERWISE SPECIFIED)
1. ASSOCIATED CAD FILE DEFINES ALL NON DIMENSIONED FEATURES.
 2. PRODUCT WEIGHT: 0.18kg (0.4lb)
 3. RECOMMENDED INPUT TERMINAL STUD TORQUE: 20Nm (15Lb-ft) ±20%, MAX. TORQUE 30Nm(22Lb-ft).
 4. RECOMMENDED MOUNTING STUD TORQUE FOR LITTELFUSE MEGAFUSE: 12-18Nm. TIGHTENING SPEED: MAXIMUM 300 RPM
 5. MOUNTING TORQUE FOR M6 HOLES: 5-8 N-m (3.7-5.9 lb-ft)



PARAMETERS FOR TIGHTENING TORQUE, SEE NOTES 3 AND 4.

TOP VIEW COVER REMOVED

| MATERIAL SPECIFICATION | |
|-------------------------------------|----------------------------|
| PARAMETER | VALUE |
| BASE(INsert MOLDED) | POLYAMIDE WITH GLASS FIBRE |
| TOP COVER | POLYCARBONATE |
| LATCH | ACETAL PLASTIC |
| TETHER | SILICONE RUBBER |
| COVER O-RING | NITRILE RUBBER |
| DEVICE HARDWARE(NUTS,STUDS, SCREWS) | STAINLESS STEEL |
| BUS BARS | COPPER ALLOY, TIN PLATE |

TOLERANCES UNLESS OTHERWISE SPECIFIED
 ONE PLACE DECIMAL ± 0.5 THREE PLACES DECIMAL ± 0.100
 TWO PLACES DECIMAL ± 0.20 ANGULAR ± 2°

DIMENSIONS ARE SHOWN IN MILLIMETERS. DIMENSIONS AND TOLERANCES ARE DEFINED ACCORDING TO ANSI/ASME Y14.5-1994.

PER CH-IND-008 PROCEDURE

- FIT/ FUNCTION CRITICAL CHARACTERISTICS
- <S> SAFETY/ COMPLIANCE CRITICAL CHARACTERISTICS SYMBOL
- CPK DENOTES CPK DIMENSIONS MINIMUM CPK VALUE
- (ST) DENOTES A CHARACTERISTIC THAT PROVIDES AN INDICATION OF PROCESS PERFORMANCE. PROCEDURE FOR MEASUREMENT AND TRACKING TO BE DEFINED IN LITTELFUSE INSPECTION INSTRUCTIONS
- CP DENOTES CP DIMENSIONS. -MINIMUM CP VALUE MUST BE WITHIN THE DIMENSIONAL LIMITATIONS SHOWN ON DRAWING AND INITIALLY LOCATED TO ALLOW FOR MAXIMUM TOOL LIFE

| | |
|---------|----------|
| NAME | DATE |
| DSILVA | 2/2/2022 |
| CHECKED | |
| | |

FORM NO. CVP-PE40-0005 REV B
 THIRD ANGLE PROJECTION

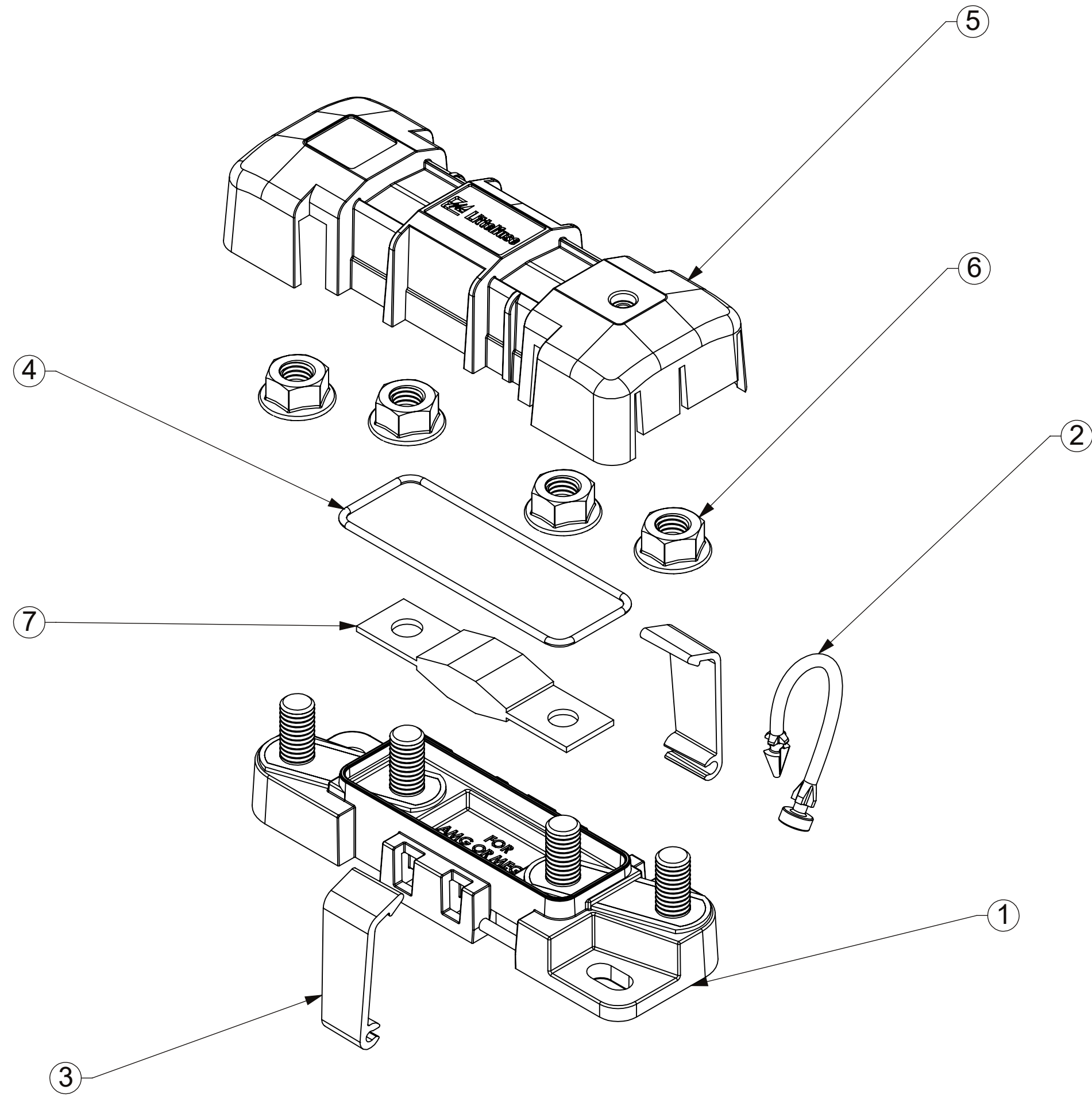
Littelfuse
 Expertise Applied | Answers Delivered

TITLE FUSE BLOCK SEALED MEGA W-FUSES

| | | |
|-----------|------------------|--------------|
| SIZE C | DWG. NO. OUTLINE | REV. A |
| SCALE 1:1 | OL-880014000 | SHEET 1 OF 2 |

THIS DRAWING AND THE INFORMATION CONTAINED WITHIN IT ARE CONFIDENTIAL AND MAY NOT BE COPIED OR DISCLOSED WITHOUT THE WRITTEN PERMISSION OF LITTELFUSE.

| PART NUMBER | FUSE PART NUMBER |
|-------------|------------------|
| 880014080 | 0298080.ZXEH |
| 880014100 | 0298100.ZXEH |
| 880014125 | 0298125.ZXEH |
| 880014200 | 0298200.ZXEH |
| 880014225 | 0298225.ZXEH |
| 880014250 | 0298250.ZXEH |
| 880014300 | 0298300.ZXH |
| 880014350 | 0298350.ZXH |
| 880014400 | 0298400.ZXH |
| 880014450 | 0298450.ZXH |
| 880014500 | 0298500.ZXH |
| 880014150 | 0298150.ZXEH |



| NO. | COMPONENT NO. | COMPONENT NAME | QTY | U/M |
|-----|---------------|-----------------------------------|-----|-----|
| 7 | SEE CHART | FUSE - MEGA 32V | 1 | EA |
| 6 | - | NUT M8 SERRATED HEX FLANGE SS | 4 | EA |
| 5 | - | COVER SEALED FUSE BLOCK TPS | 1 | EA |
| 4 | - | O-RING 56.8 X 1.5 MM | 1 | EA |
| 3 | - | LATCH PNDB | 2 | EA |
| 2 | - | TETHER PNDB | 1 | EA |
| 1 | - | ASSEMBLY BASE FUSE BLOCK MEGA-AMG | 1 | EA |

TOLERANCES UNLESS OTHERWISE SPECIFIED
 ONE PLACE DECIMAL ± 0.5 THREE PLACES DECIMAL ± 0.100
 TWO PLACES DECIMAL ± 0.20 ANGULAR ± 2°

DIMENSIONS ARE SHOWN IN MILLIMETERS. DIMENSIONS AND TOLERANCES ARE DEFINED ACCORDING TO ANSI/ASME Y14.5-1994.

PER CHNPN20-008 PROCEDURE

- FIT/ FUNCTION CRITICAL CHARACTERISTICS
- <S> SAFETY/ COMPLIANCE CRITICAL CHARACTERISTICS SYMBOL
- CPK DENOTES CPK DIMENSIONS MINIMUM CPK VALUE
- (ST) DENOTES A CHARACTERISTIC THAT PROVIDES AN INDICATION OF PROCESS PERFORMANCE PROCEDURE FOR MEASUREMENT AND TRACKING TO BE DEFINED IN LITTELFUSE INSPECTION INSTRUCTIONS
- CP DENOTES CP DIMENSIONS. -MINIMUM CP VALUE MUST BE WITHIN THE DIMENSIONAL LIMITATIONS SHOWN ON DRAWING AND INITIALLY LOCATED TO ALLOW FOR MAXIMUM TOOL LIFE

| | |
|--------------|----------|
| NAME | DATE |
| DRAWN DSILVA | 2/2/2022 |
| CHECKED | |
| | |

FORM NO. CVP-PE40-0005 REV B
 THIRD ANGLE PROJECTION

DO NOT SCALE DRAWING SCALE 1:1

Littelfuse
 Expertise Applied | Answers Delivered

TITLE FUSE BLOCK SEALED MEGA W-FUSES

SIZE C DWG. NO. OL-880014000 REV. A
 OUTLINE

SHEET 2 OF 2