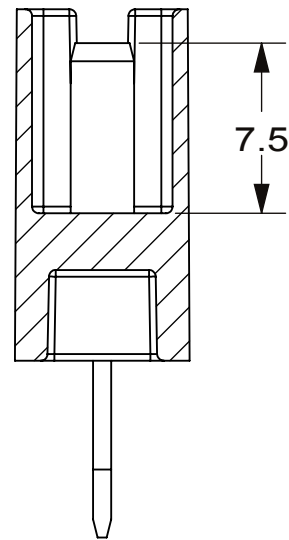
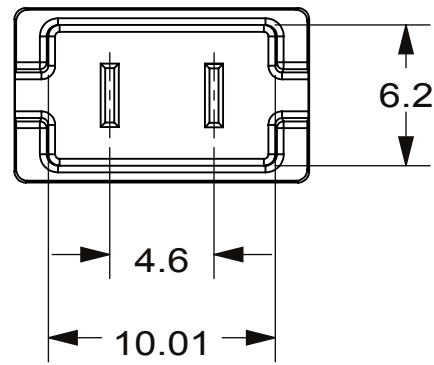


THIS DRAWING AND THE INFORMATION CONTAINED WITHIN IT ARE CONFIDENTIAL AND MAY NOT BE COPIED OR DISCLOSED WITHOUT THE WRITTEN PERMISSION OF LITTELFUSE.

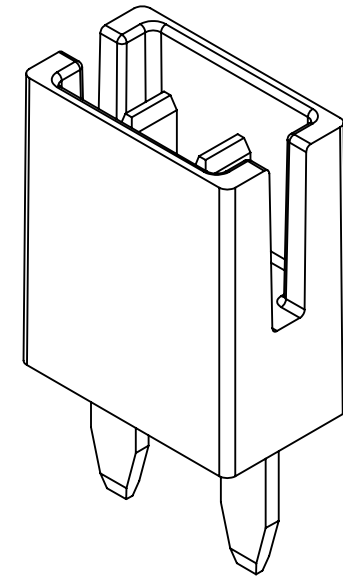
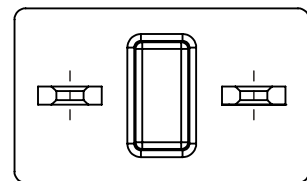
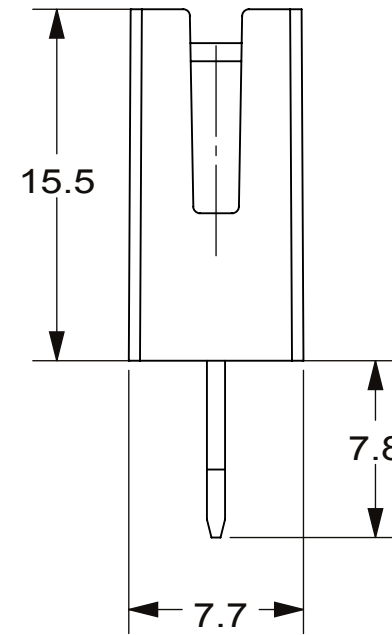
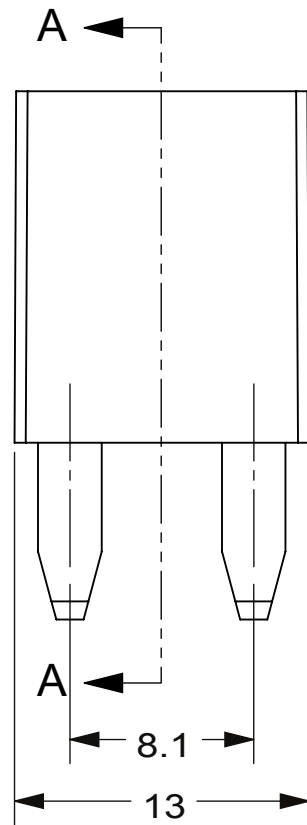
NOTES: (UNLESS OTHERWISE SPECIFIED)

1. DESCRIPTION:
  - 1.1. ASSOCIATED 3D CAD FILE DEFINES ALL NON-DIMENSIONED FEATURES.
2. MATERIAL:
  - 2.1. MATERIAL SHALL BE PA66+GF30% FOR PLASTIC COMPONENT AND COPPER C2100 FULL HARD WITH COATING FOR METAL COMPONENT.
3. THE MAX CONTINUOUS CURRENT WHICH CAN CARRY IS 30A.

REVISIONS				
ZONE	REV.	DESCRIPTION	DATE	APPROVED
	A	PER EC # 520273 : INITIAL RELEASE	12/19/2018	D.CHENG



SECTION A-A



DIMENSIONS ARE SHOWN IN MILLIMETERS. DIMENSIONS AND TOLERANCES ARE DEFINED ACCORDING TO ANSI/ASME Y14.5-1994.

●	DENOTES PRODUCTS CRITICAL CHARACTERISTICS
CPK	DENOTES CPK DIMENSIONS MINIMUM CPK VALUE
ST	DENOTES A CHARACTERISTIC THAT PROVIDES AN INDICATION OF PROCESS PERFORMANCE. PROCEDURE FOR MEASUREMENT AND TRACKING TO BE DEFINED IN LITTELFUSE INSPECTION INSTRUCTIONS
CP	DENOTES CP DIMENSIONS, -MINIMUM CP VALUE MUST BE WITHIN THE DIMENSIONAL LIMITATIONS SHOWN ON DRAWING AND INITIALLY LOCATED TO ALLOW FOR MAXIMUM TOOL LIFE

TOLERANCES UNLESS OTHERWISE SPECIFIED (REF. ISO2768-M)						
DIMENSION	0.5 - 3	3 - 6	6 - 30	30 - 120	120 - 400	ANGLE
TOLERANCES	±0.1	±0.1	±0.2	±0.3	±0.5	±0.5°

NAME	DATE	<p>Expertise Applied   Answers Delivered</p> <p>No. 6 Xinghai Street, Suzhou Industry Park, China Phone +86 512 6761 3189 Fax +86 512 6761 1489</p>
DRAWN	29/6/2015	
CHECKED	-	
-	-	
TITLE		<p><b>MCCase Terminal Adapter</b></p>
THIRD ANGLE PROJECTION		
SIZE	DWG. NO.	REV.
B	OL-875-584	A
DO NOT SCALE DRAWING		SHEET 1 OF 1