

THIS DRAWING AND THE INFORMATION CONTAINED WITHIN IT ARE CONFIDENTIAL AND MAY NOT BE COPIED OR DISCLOSED WITHOUT THE WRITTEN PERMISSION OF LITTELFUSE.

NOTES: (UNLESS OTHERWISE SPECIFIED)

1. DESCRIPTION:
 - 1.1. ASSOCIATED 3D CAD FILE DEFINES ALL NON-DIMENSIONED FEATURES.
2. MATERIAL:
 - 2.1. MATERIAL SHALL BE SPCC, ZINC CHROMATE PLATED (T >=8 MICRONS)

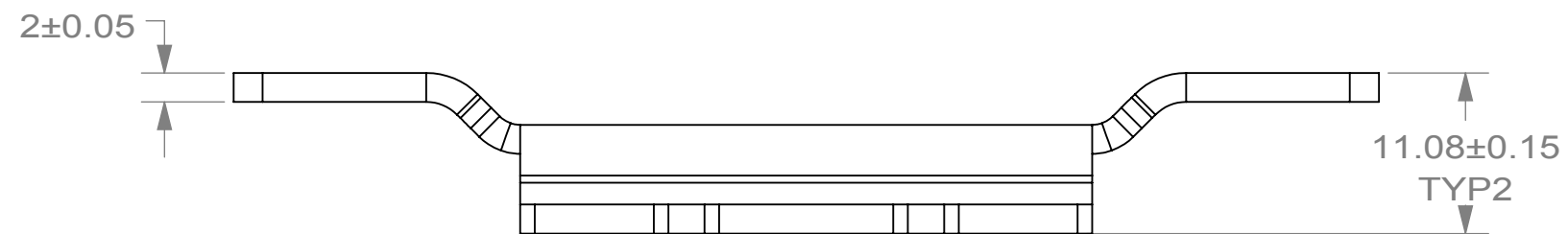
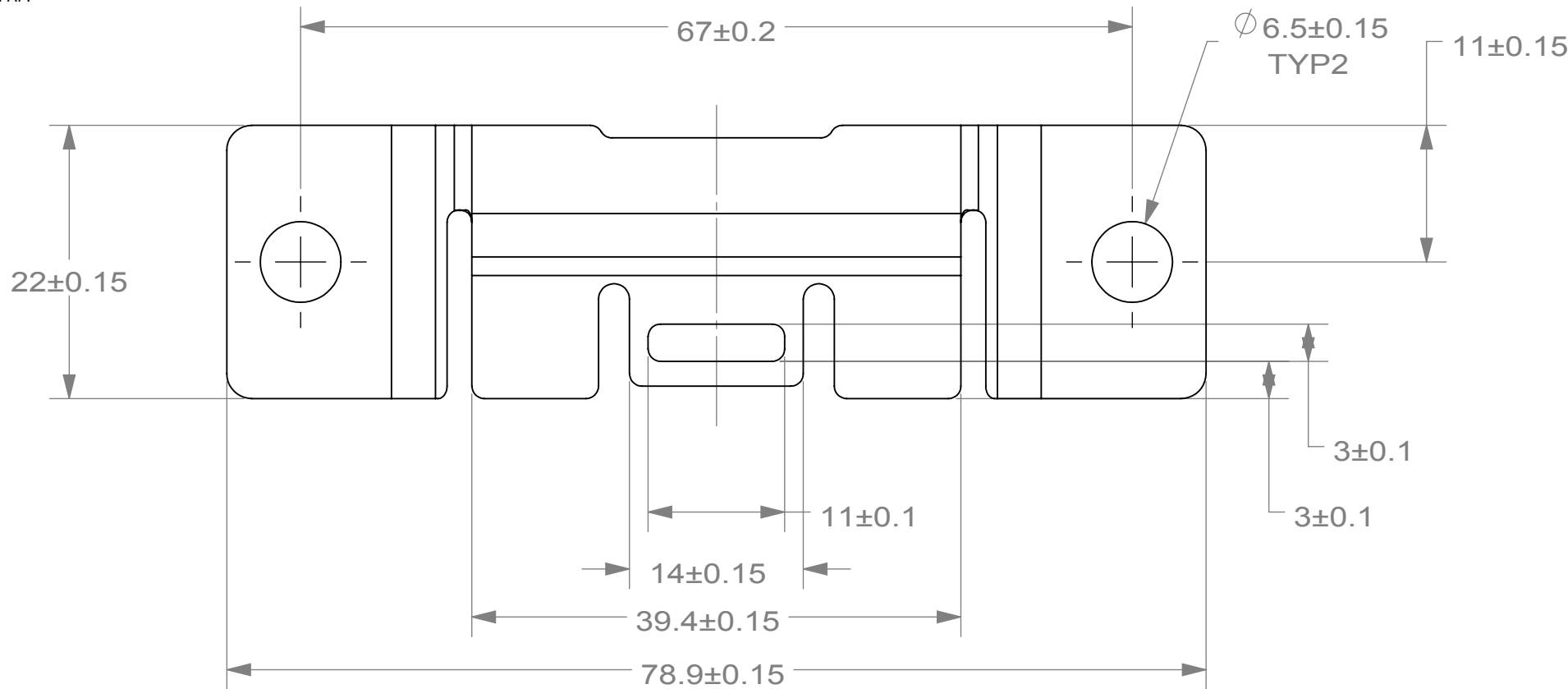
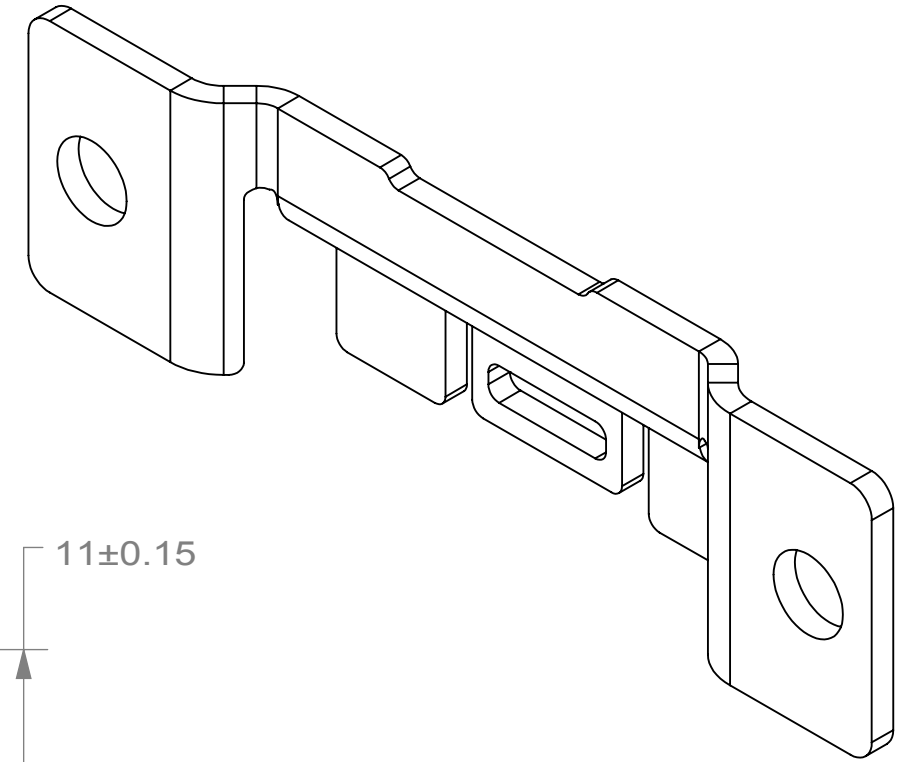
3. DIMENSIONING AND APPEARANCE:

- 3.1. BLANKING BURRS MUST NOT EXCEED 0.1MM; THE SPECIFIED AREA BURRS SHOULD NOT EXCEED 0.03MM.
- 3.2. 0.13 MAX RADII & FILLETS PERMISSIBLE ON ALL CORNERS.
- 3.3. ALL DIMENSIONS APPLY AFTER PLATING.
- 3.4. SYMBOL ● INDICATES A CRITICAL DIMENSION OR FEATURE WHICH HAVE ASSEMBLY OR FUNCTION REQUIREMENT, ALL THESE DIMENSION SHOULD BE IN TOLERANCE. CPK SHOULD BE MONITORED IN THE PRODUCTION PROCESS USING PROCESS CONTROL METHODS.
- 3.5. PUNCH DIRECTION ACCORDING TO DRAWING SPECIFICATION
- 3.6. FINISHED PARTS TO BE CLEAN AND FREE FROM ALL FOREIGN MATTER
- 3.7. BURRS SHOULD BE ELIMINATED.

4. SUPPLIER REQUIREMENT:

- 4.1. LITTELFUSE TO BE SUPPLIED WITH A COMPLETE SET OF TOOLING DRAWINGS SUBJECT TO SIGNED APPROVAL PRIOR TO COMMENCING TOOLING.
- 4.2. LITTELFUSE MUST BE NOTIFIED BEFORE ANY TOOLING CHANGES TAKE PLACE AFTER INITIAL PPAP.

REVISIONS				
ZONE	REV.	DESCRIPTION	DATE	APPROVED
	A	PER EC516433: INITIAL RELEASE	9/22/2016	D.CHENG



DIMENSIONS ARE SHOWN IN MILLIMETERS. DIMENSIONS AND TOLERANCES ARE DEFINED ACCORDING TO ANSI/ASME Y14.5-1994.

- DENOTES PRODUCTS CRITICAL CHARACTERISTICS
- CPK DENOTES CPK DIMENSIONS MINIMUM CPK VALUE
- ST DENOTES A CHARACTERISTIC THAT PROVIDES AN INDICATION OF PROCESS PERFORMANCE. PROCEDURE FOR MEASUREMENT AND TRACKING TO BE DEFINED IN LITTELFUSE INSPECTION INSTRUCTIONS
- CP DENOTES CP DIMENSIONS, -MINIMUM CP VALUE MUST BE WITHIN THE DIMENSIONAL LIMITATIONS SHOWN ON DRAWING AND INITIALLY LOCATED TO ALLOW FOR MAXIMUM TOOL LIFE

TOLERANCES UNLESS OTHERWISE SPECIFIED (REF. ISO2768-M)

DIMENSION	0.5 - 3	3 - 6	6 - 30	30 - 120	120 - 400	ANGLE
TOLERANCES	±0.1	±0.1	±0.2	±0.3	±0.5	±0.5°

NAME	DATE
DRAWN: D.CHENG	07/06/2015
CHECKED: -	-
-	-
-	-

Littelfuse
 Expertise Applied | Answers Delivered
 No.6 Xinghai Street, Suzhou Industry Park, China
 Phone +86 512 6761 3189 Fax +86 512 6761 1489

TITLE: **BRACKET NEW**

THIRD ANGLE PROJECTION

SIZE: B	DWG. NO. OL-868-964	REV. A
---------	---------------------	--------

DO NOT SCALE DRAWING | SCALE 2:1 | SHEET 1 OF 1