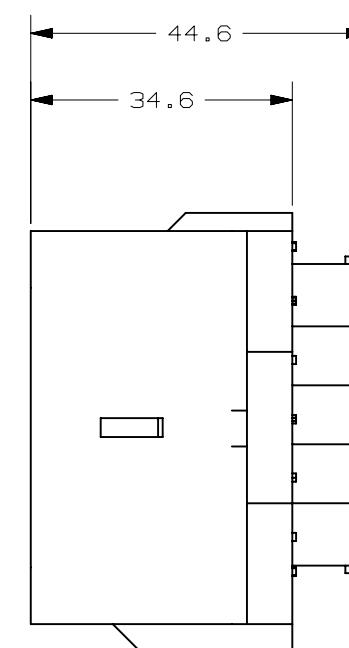
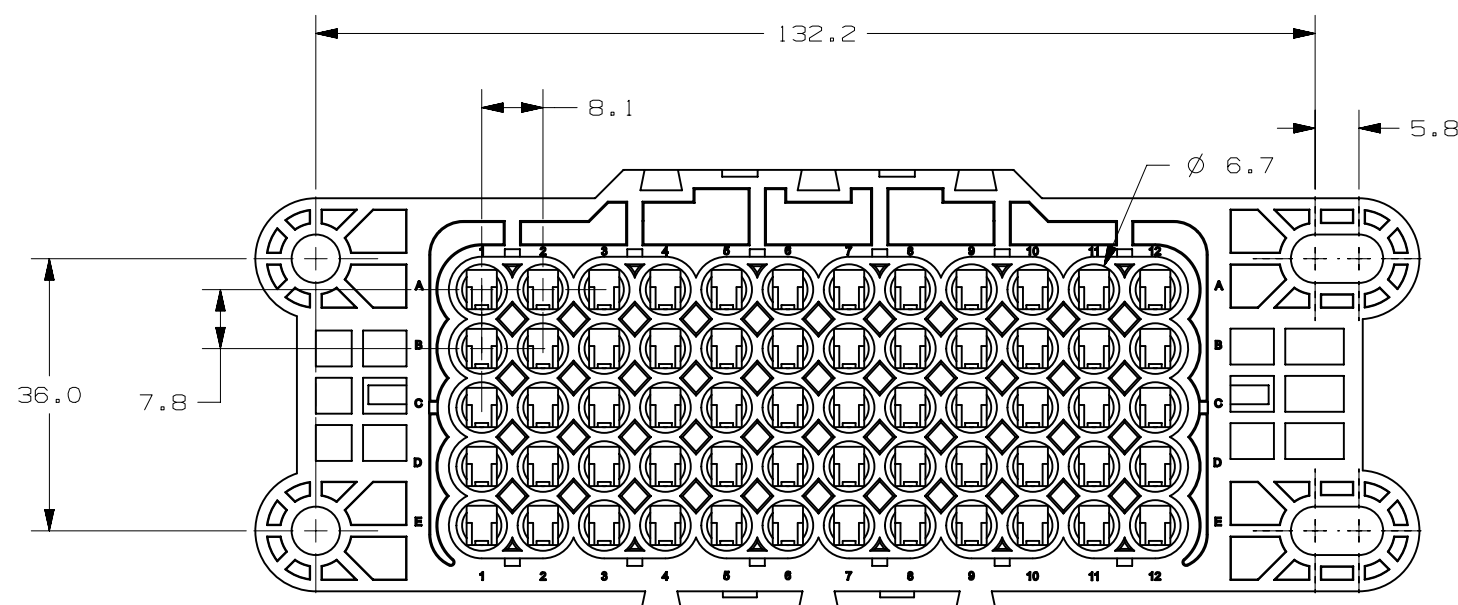
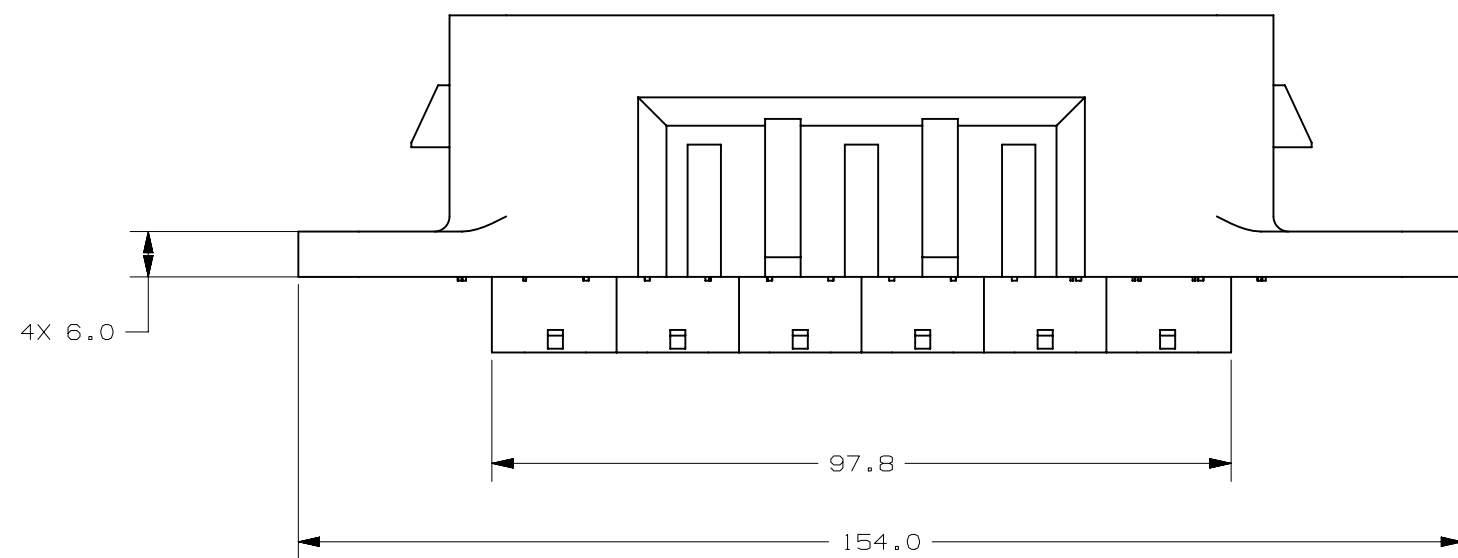
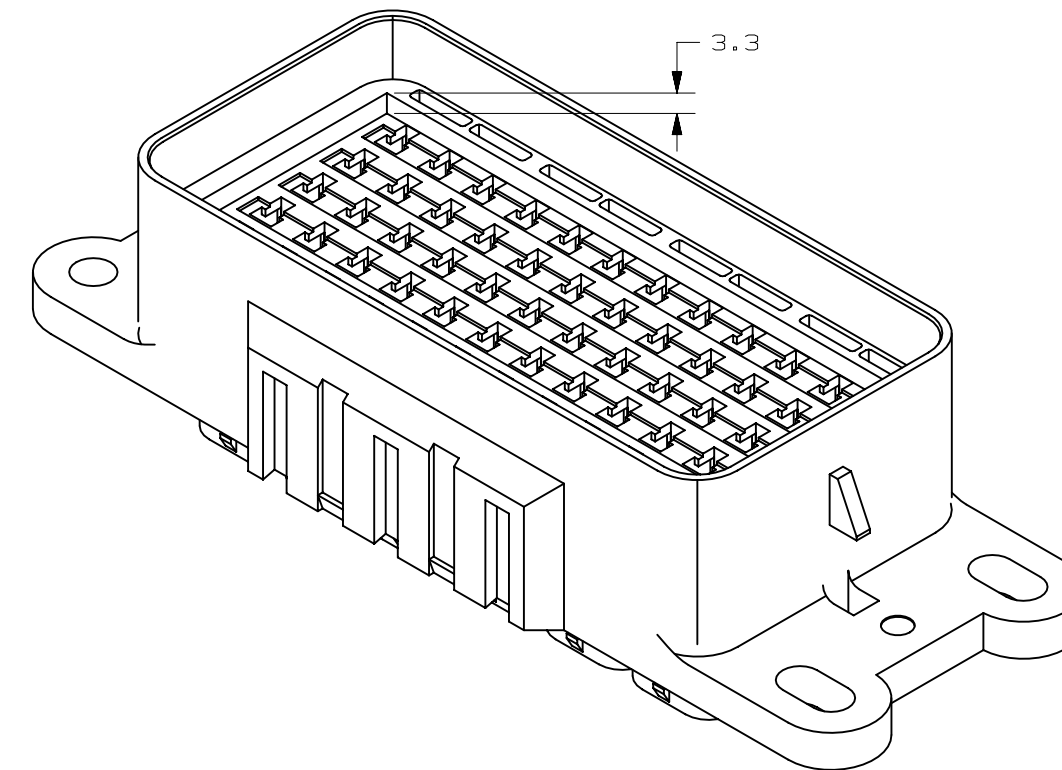
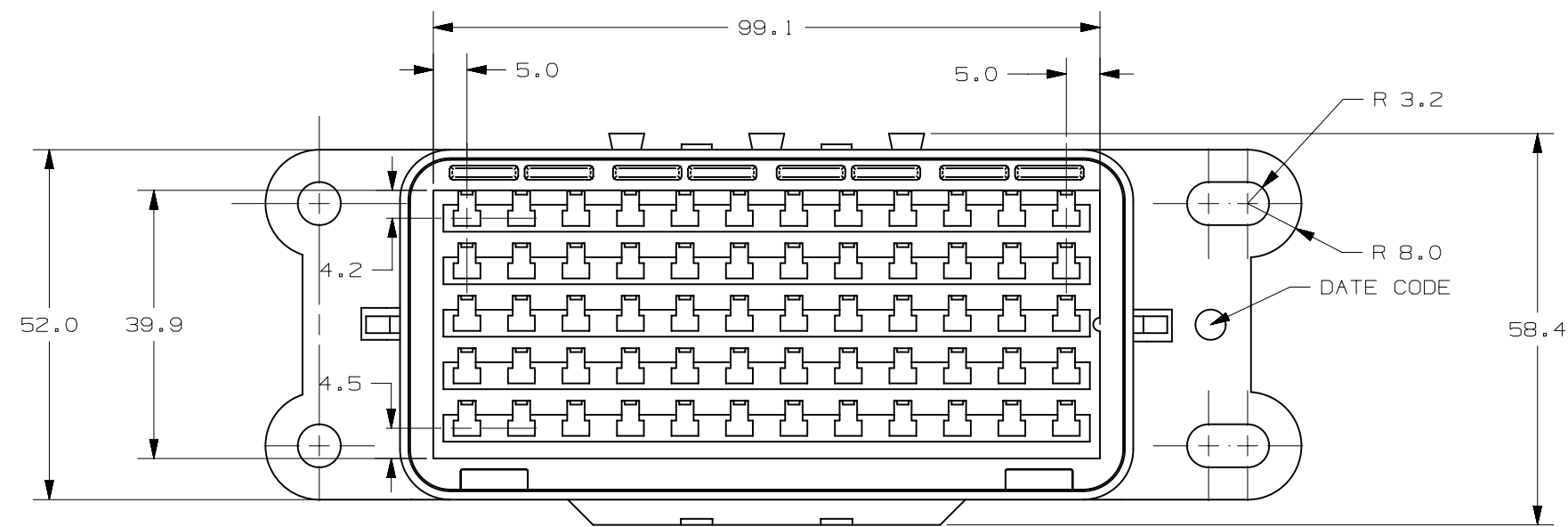


LTR	DATE	REVISION	CHK	APD
A	01/22/14	510030ERA-RELEASE	FYUE	
B	07/18/14	510793ECA-ADD DIMENSTONS	FYUE	



NO	COMPONENT NO	DESCRIPTION	QTY/M	U/M
-				
-				
-				

BILL OF MATERIAL

UNLESS OTHERWISE SPECIFIED, DIMENSIONS ARE IN MILLIMETERS.
DIMENSIONS IN BRACKETS [] ARE INCHES

UNLESS OTHERWISE SPECIFIED, DIMENSIONS DO NOT INCLUDE PLATING.

⊙ DENOTES CRITICAL CHARACTERISTICS.

CPK DENOTES CPK DIMENSIONS, -MINIMUM CPK VALUE

ST DENOTES A CHARACTERISTIC THAT PROVIDES AN INDICATION OF PROCESS PERFORMANCE. PROCEDURE FOR MEASUREMENT AND TRACKING TO BE DEFINED IN LITTELFUSE INSPECTION INSTRUCTIONS

CP DENOTES CP DIMENSIONS, -MINIMUM CP VALUE MUST BE WITHIN THE DIMENSIONAL LIMITATIONS SHOWN ON DRAWING AND INITIALLY LOCATED TO ALLOW FOR MAXIMUM TOOL LIFE

COPIES TO	MATL SPEC
1 9 18	Mapex PA66 A0520FN-03 (30%GF)
2 10 19	FINISH
3 12 20	NONE
4 13 21	DRW FYUE DATE 01/22/14 SCALE 1:1
5 14 23	CHK DATE SUPER DR
6 15 33	APPD DATE FINSH GOOD WT
7 16 43	GRAMS/PIECE
8 17 53	

TOLERANCES UNLESS OTHERWISE SPECIFIED (REF. ISO 2768-MH)	DIMENSION	0.5 - 3	3 - 6	6 - 30	30 - 120	120 - 400
TOLERANCE		+0.1	+0.1	+0.2	+0.3	+0.5

3RD ANGLE PROJECTION	TITLE	BASE
⊙		

METRIC COMPONENT

REVISION	DRWG. NO.	OUTLINE
B	OL-868-163	

Littelfuse CHICAGO, USA 773-628-1000

CAD GENERATED DRAWING - NO PENCIL CHANGES ALLOWED (rev C)