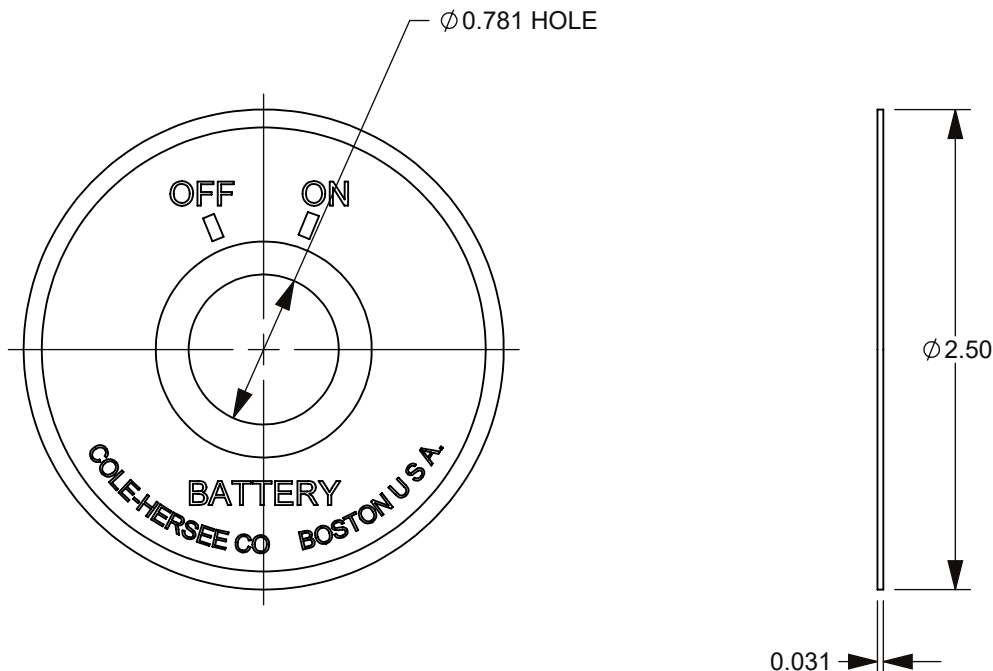


THIS DRAWING AND THE INFORMATION CONTAINED WITHIN IT ARE CONFIDENTIAL AND MAY NOT BE COPIED OR DISCLOSED WITHOUT THE WRITTEN PERMISSION OF LITTELFUSE.

REVISIONS				
ZONE	REV.	DESCRIPTION	DATE	APPROVED
	A	PCO #5300102. INITIAL RELEASE. DSILVA.	9/7/2022	L.ARGIL



- NOTES:
- MATERIAL: ALUMINIUM (INNER AND OUTER BANDS AND ALL LETTERING, BACKGROUND TO BE DARK BLUE).
 - ALL DIMENSIONS ARE IN INCHES.
 - TOLERANCES:
DECIMAL: ± 0.005

DIMENSIONS ARE SHOWN IN MILLIMETERS. DIMENSIONS AND TOLERANCES ARE DEFINED ACCORDING TO ANSI/ASME Y14.5-1994.				
PER CHI-NPDD20-0008 PROCEDURE	●	FIT/ FUNCTION CRITICAL CHARACTERISTICS		
	<S>	SAFETY/ COMPLIANCE CRITICAL CHARACTERISTICS SYMBOL		
	CPK	DENOTES CPK DIMENSIONS MINIMUM CPK VALUE		
	ST	DENOTES A CHARACTERISTIC THAT PROVIDES AN INDICATION OF PROCESS PERFORMANCE. PROCEDURE FOR MEASUREMENT AND TRACKING TO BE DEFINED IN LITTELFUSE INSPECTION INSTRUCTIONS		
	CP	DENOTES CP DIMENSIONS, -MINIMUM CP VALUE MUST BE WITHIN THE DIMENSIONAL LIMITATIONS SHOWN ON DRAWING AND INITIALLY LOCATED TO ALLOW FOR MAXIMUM TOOL LIFE		
	NAME	DATE	 Expertise Applied Answers Delivered	
DRAWN	DSILVA	7/27/2022		
CHECKED	-	-		
	-	-		
FORM NO: CVP-PE40-0001 REV B			TITLE PLATE, FACE	
THIRD ANGLE PROJECTION				
	SIZE B	DWG. NO. OUTLINE	OL-82065	REV. A
DO NOT SCALE DRAWING			SCALE 1:1	SHEET 1 OF 1