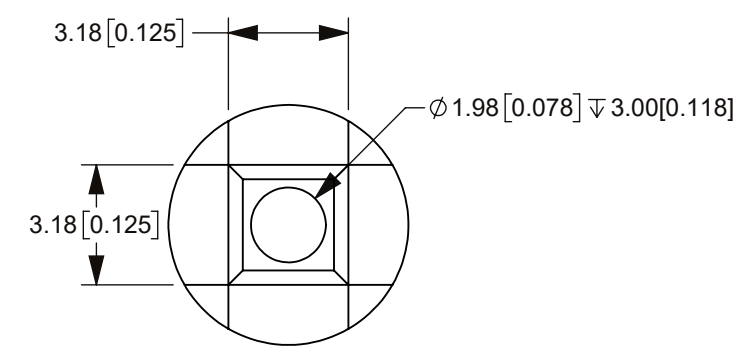
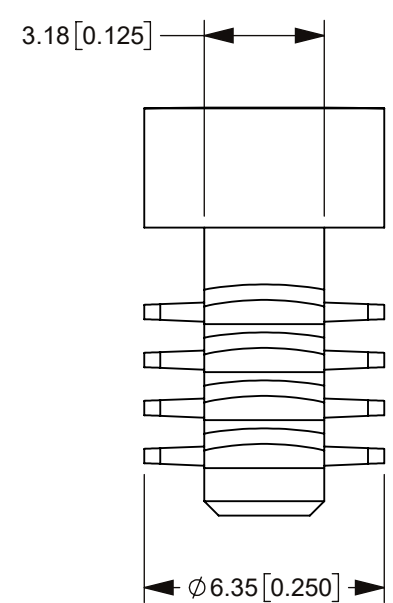
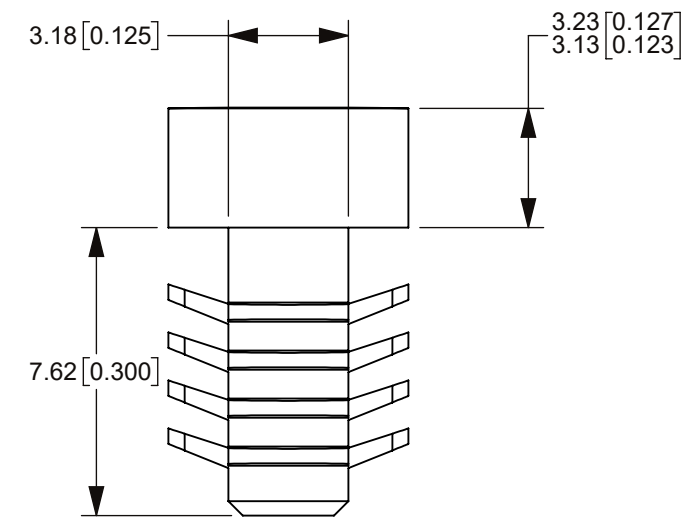
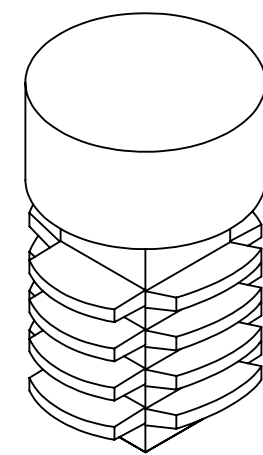
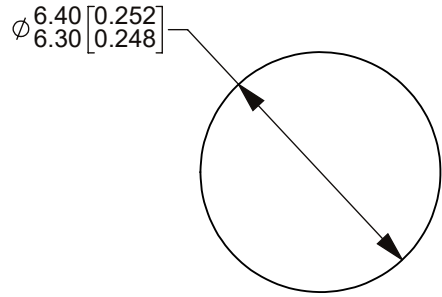


THIS DRAWING AND THE INFORMATION CONTAINED WITHIN IT ARE CONFIDENTIAL AND MAY NOT BE COPIED OR DISCLOSED WITHOUT THE WRITTEN PERMISSION OF LITTELFUSE.

PART NUMBER	COLOR
80456	RED
80456-1	YELLOW
80456-2	BLACK

REVISIONS				
ZONE	REV.	DESCRIPTION	DATE	APPROVED
	A	PCO #5300102. INITIAL RELEASE. DSILVA	10/3/2022	L.ARGIL



- NOTES:
- MATERIAL PVC, SEE CHART FOR COLOR.
  - DRAFT 0°-30° PER SIDE UNLESS NOTED OTHERWISE.
  - DIMENSIONS IN INCHES ARE SHOWN IN [ ] (REFERS TO EQUIVALENT METRIC DIMENSION TOLERANCE).
  - ALL TOLERANCES ARE NON-CUMULATIVE.
  - DIMENSIONS IN INCHES ARE MANDATORY.

NO.	COMPONENT NO.	COMPONENT NAME	QTY	U

TOLERANCES UNLESS OTHERWISE SPECIFICALLY NOTED, THE FOLLOWING ARE THE DEFAULT TOLERANCES (INCHES).

TWO PLACES ±0.02"	THREE PLACES ±0.005"	ANGULAR ±1°
----------------------	-------------------------	----------------

DIMENSIONS ARE SHOWN IN MILLIMETERS. DIMENSIONS AND TOLERANCES ARE DEFINED ACCORDING TO ANSI/ASME Y14.5-1994.

PER CH-IN-PPD20-0008 PROCEDURE	SYMBOL	DESCRIPTION
●		FIT/ FUNCTION CRITICAL CHARACTERISTICS
<S>		SAFETY/ COMPLIANCE CRITICAL CHARACTERISTICS SYMBOL
CPK		DENOTES CPK DIMENSIONS MINIMUM CPK VALUE
ST		DENOTES A CHARACTERISTIC THAT PROVIDES AN INDICATION OF PROCESS PERFORMANCE. PROCEDURE FOR MEASUREMENT AND TRACKING TO BE DEFINED IN LITTELFUSE INSPECTION INSTRUCTIONS
CP		DENOTES CP DIMENSIONS. -MINIMUM CP VALUE MUST BE WITHIN THE DIMENSIONAL LIMITATIONS SHOWN ON DRAWING AND INITIALLY LOCATED TO ALLOW FOR MAXIMUM TOOL LIFE

	NAME	DATE
DRAWN	DSILVA	7/26/2022
CHECKED	-	-
	-	-
	-	-

**Littelfuse**  
Expertise Applied | Answers Delivered

FORM NO: CVP-PE40-0003 REV B

THIRD ANGLE PROJECTION

DO NOT SCALE DRAWING

SCALE 5:1

TITLE: PIN

SIZE: B DWG. NO.: OL-80456 REV. A

SHEET 1 OF 1