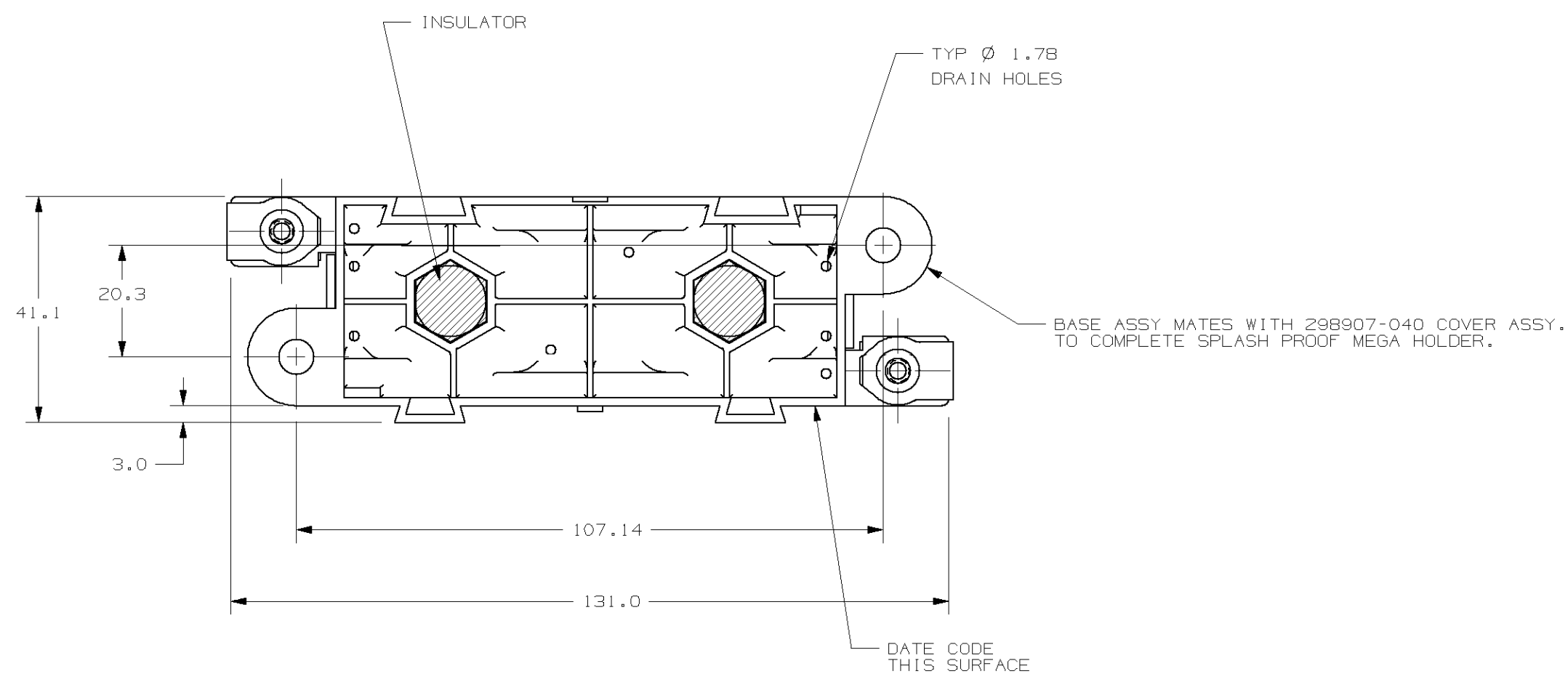
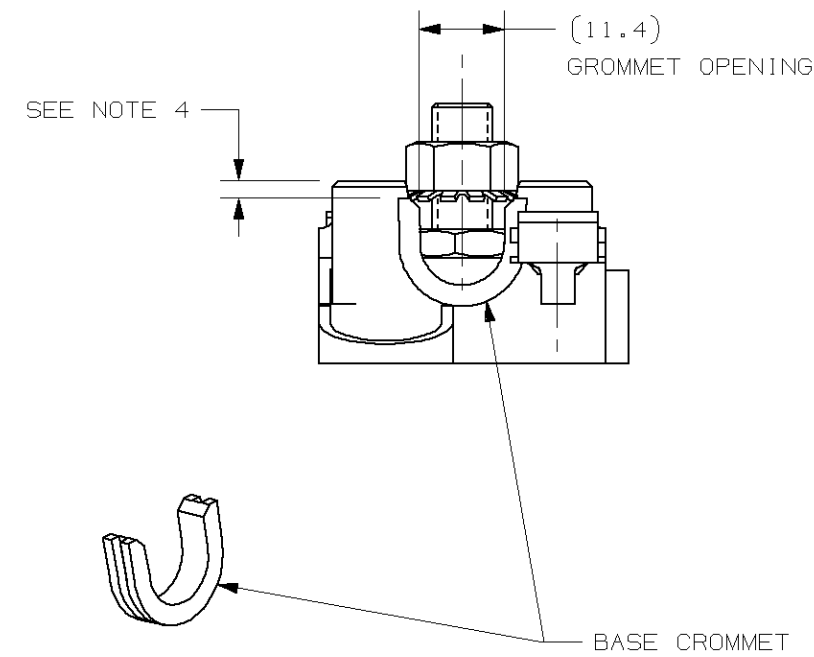
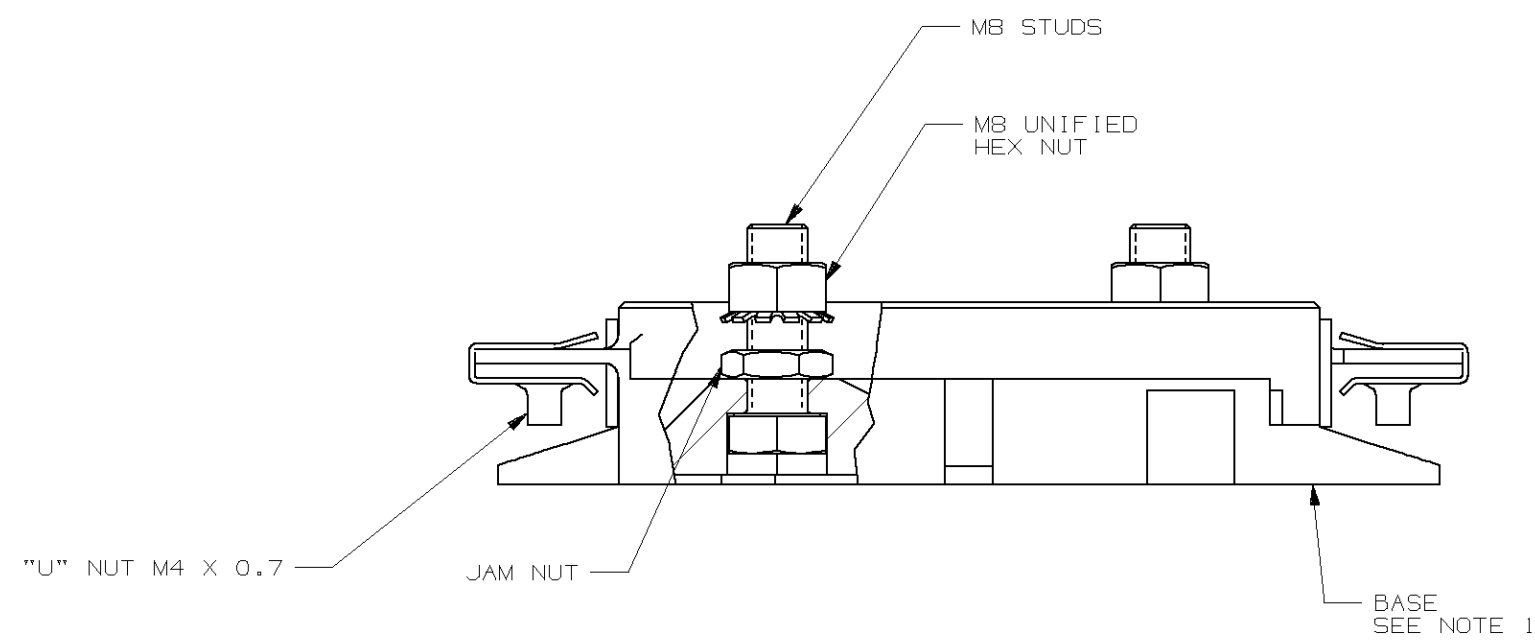


LTR	DATE	REVISION	CHK	APD
A	10/27/00	60421 - RELEASED PJM		
B	03/26/07	854140-REDRAWN IN UG GMB		



NOTES:

1. MATERIAL:

BODY - GLASS FILLED NYLON 6/6
COLOR - BLACK

M8 THREADED STUDS - STEEL; FINISH PER SPEC. S36

M8 NUTS - STEEL; FINISH PER SPEC. S36

GROMMETS - SILICONE; BLACK

2. 250 AMP. MAX. RATING AT 125°C

3. FOR PART RECYCLING:
CODE TO READ: PA66+GF30

4. BOTH TOP ENDS OF GROMMETS MUST BE EVEN
WITH TOP OF THE BASE SIDE AFTER ASSEMBLY.

NO	COMPONENT NO	DESCRIPTION	QTY/M	U/M
BILL OF MATERIAL				
UNLESS OTHERWISE SPECIFIED, DIMENSIONS ARE IN MILLIMETERS. DIMENSIONS IN BRACKETS [] ARE INCHES				
UNLESS OTHERWISE SPECIFIED, DIMENSIONS DO NOT INCLUDE PLATING.				
⊙	DENOTES CRITICAL CHARACTERISTICS.			
CPK	DENOTES CPK DIMENSIONS, -MINIMUM CPK VALUE 1.33			
ST	DENOTES A CHARACTERISTIC THAT PROVIDES AN INDICATION OF PROCESS PERFORMANCE. PROCEDURE FOR MEASUREMENT AND TRACKING TO BE DEFINED IN LITTELFUSE INSPECTION INSTRUCTIONS			
CP	DENOTES CP DIMENSIONS, -MINIMUM CP VALUE MUST BE WITHIN THE DIMENSIONAL LIMITATIONS SHOWN ON DRAWING AND INITIALLY LOCATED TO ALLOW FOR MAXIMUM TOOL LIFE			
COPIES TO		MATL SPEC		
1	9	18	FINISH	
2	10	19	FINISH	
3	12	20	FINISH	
4	13	21	DRW	PJM
5	14	23	DATE	10/27/00
6	15	33	SCALE	1:1
7	16	43	CHK	DATE
8	17	53	APPD	DATE
		FINISH GOOD WT		
		GRAMS/PIECE		
TOLERANCE UNLESS OTHERWISE SPECIFIED				
ONE PLACE DEC		+/- .3		THREE PLACE DEC
TWO PLACE DEC		+/- .25		ANGULAR
				+/- 1°
3RD ANGLE PROJECTION	TITLE		SPLASH PROOF MEGA HOLDER BASE ASSY	
Littelfuse		REVISION	DRWG. NO.	OUTLINE
DES PLAINES, ILLINOIS 60016		B	298907-030	

METRIC

CAD GENERATED DRAWING - NO PENCIL CHANGES ALLOWED