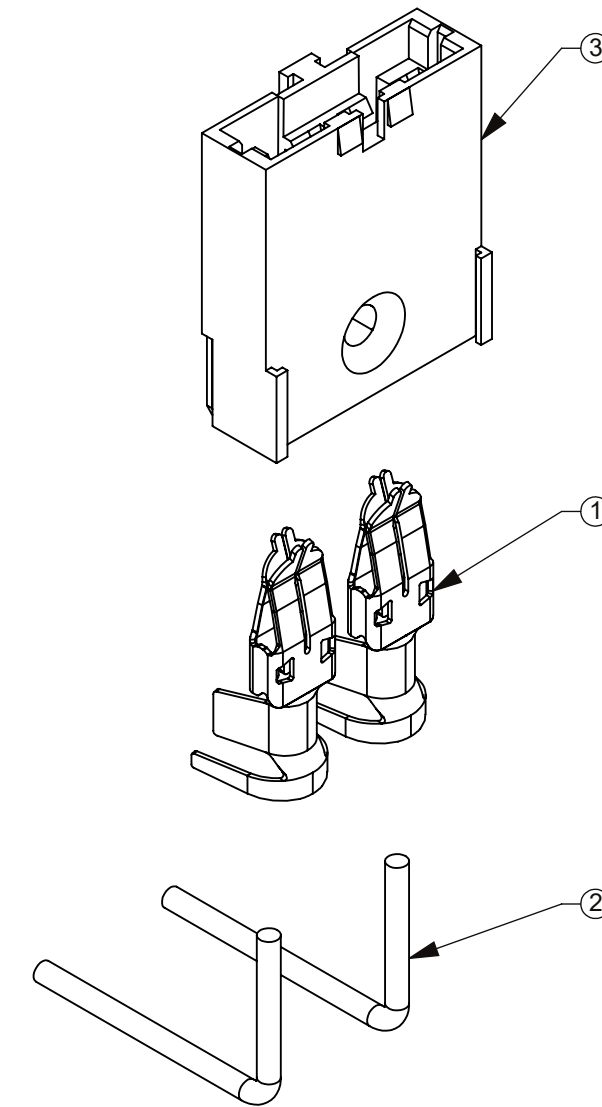
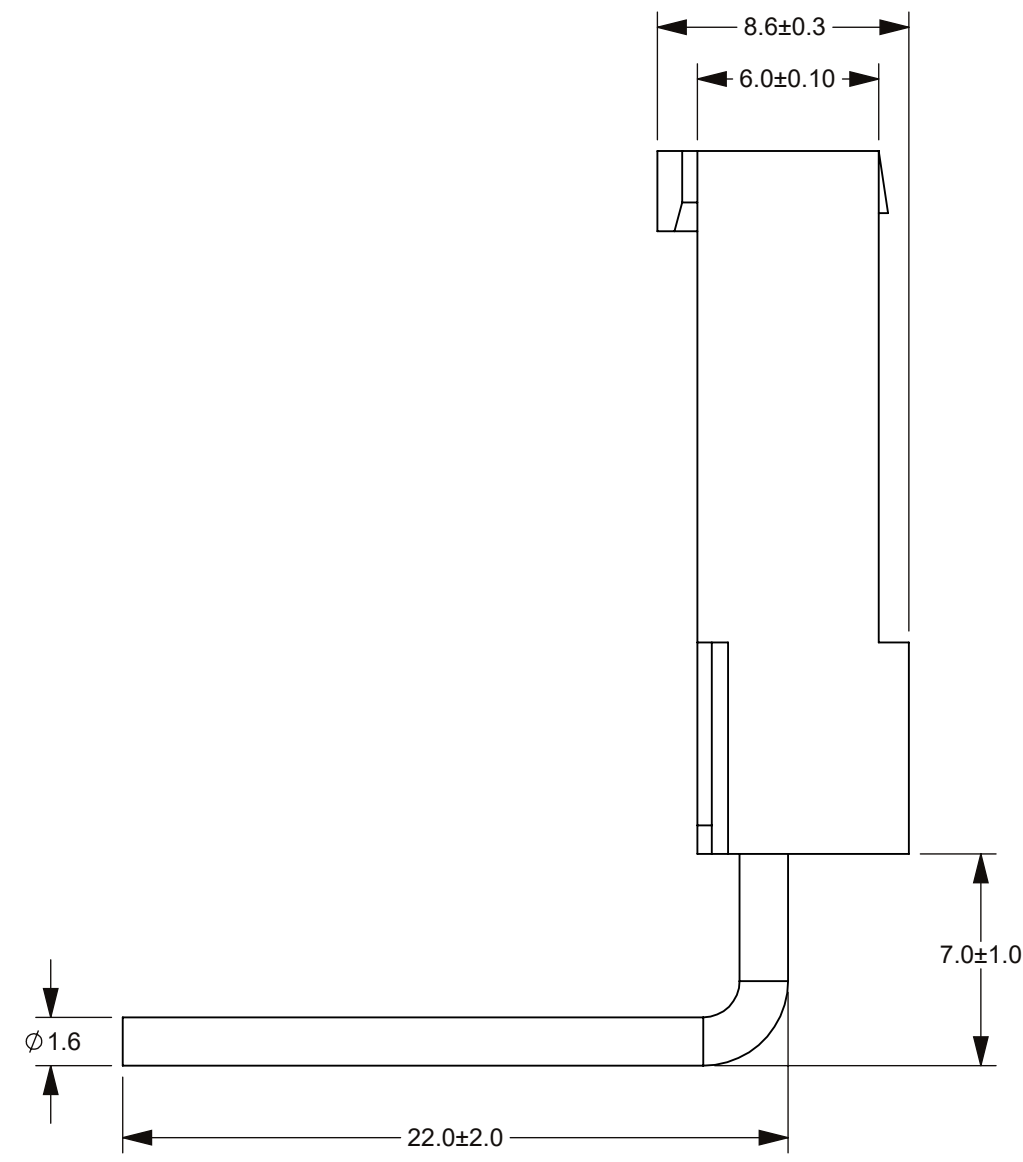
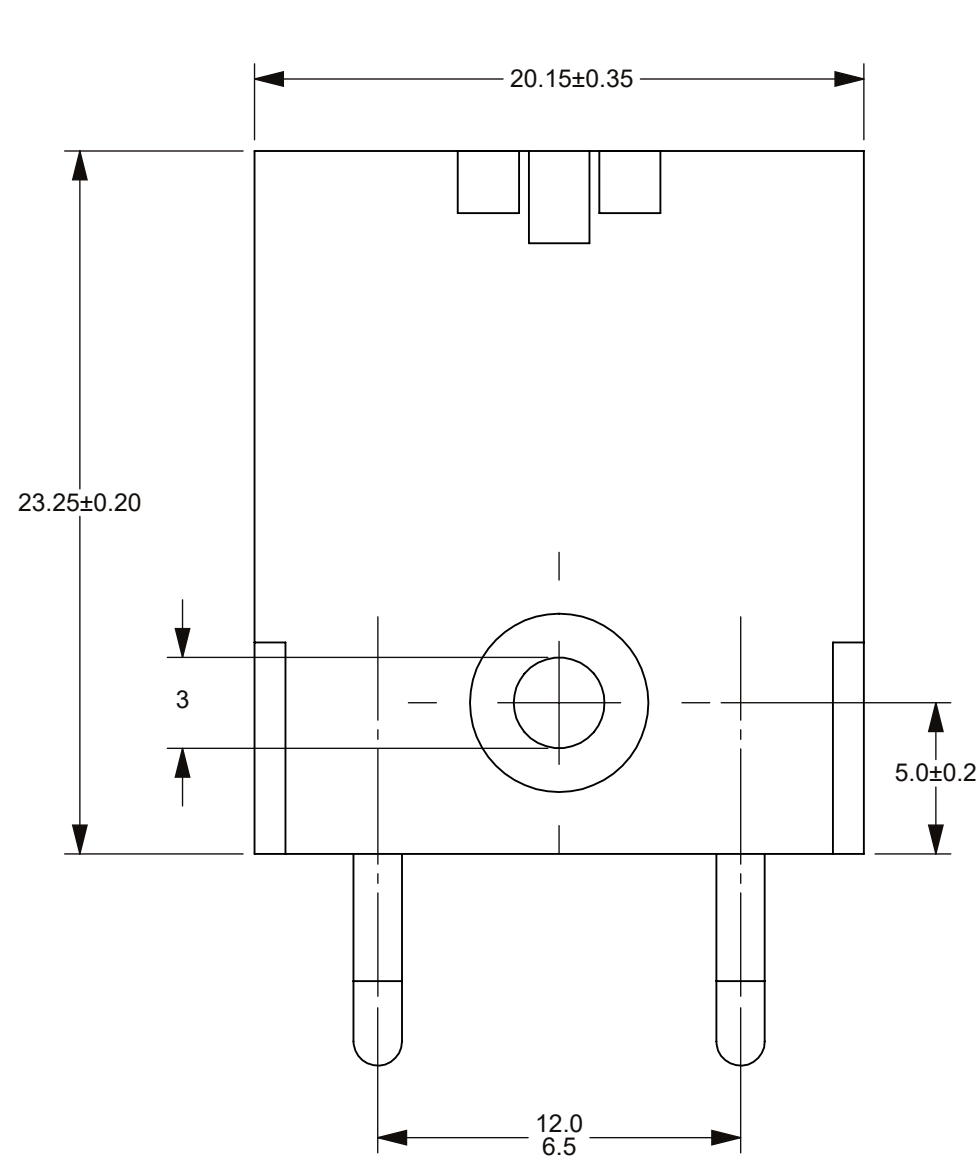


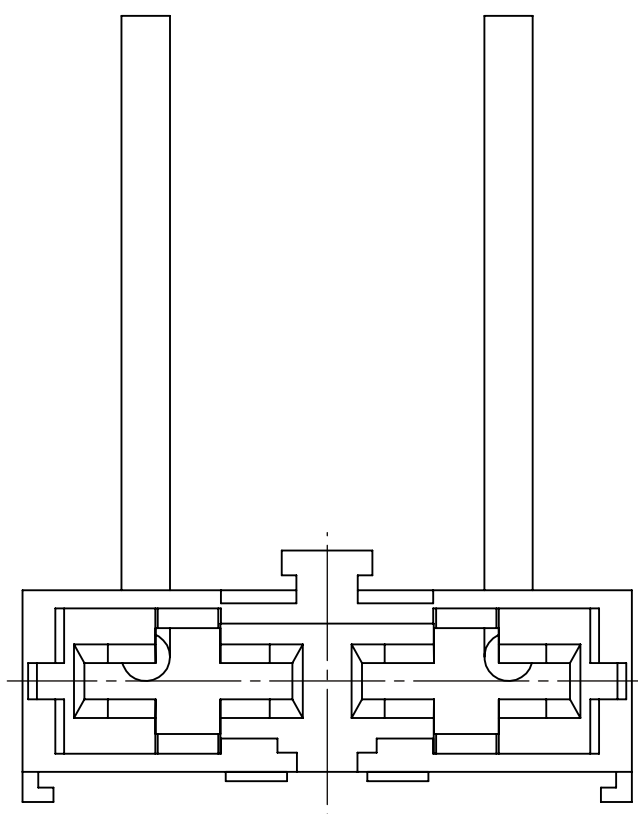
THIS DRAWING AND THE INFORMATION CONTAINED WITHIN IT ARE CONFIDENTIAL AND MAY NOT BE COPIED OR DISCLOSED WITHOUT THE WRITTEN PERMISSION OF LITTELFUSE.

ART. NR.	DESCRIPTION
178.7017.0001	FKH-HOLDER 90 DEGREES CONNECTION

REVISIONS				
ZONE	REV.	DESCRIPTION	DATE	APPROVED
	A	PCO #5300128. INITIAL RELEASE. DSILVA	11/7/2022	L.ARGIL



3D VIEW
SCALE 2:1



NOTES:

- MATERIAL:
 - HOLDER: THERMOPLAST
 - DFK CONTACTS: COPPER ALLOY

NO.	COMPONENT NO.	COMPONENT NAME	QTY/M	U/M
3	-	1.6 CU GAL.	1369.570	G
2	-	DFK2-CONTACT	2000	EAD
1	-	FKH-HOLDER	1000	EAD

TOLERANCES UNLESS OTHERWISE SPECIFIED (REF. ISO 2768-mK)						
.5 to 3	>3 to 6	>6 to 30	>30 to 120	>120 to 400		ANGLE
+0.10	+0.10	+0.20	+0.30	+0.50		NONE

DIMENSIONS ARE SHOWN IN MILLIMETERS. DIMENSIONS AND TOLERANCES ARE DEFINED ACCORDING TO ANSI/ASME Y14.5-1994.

●	FTI/ FUNCTION CRITICAL CHARACTERISTICS
<S>	SAFETY/ COMPLIANCE CRITICAL CHARACTERISTICS SYMBOL
CPK	DENOTES CPK DIMENSIONS MINIMUM CPK VALUE
(ST)	DENOTES A CHARACTERISTIC THAT PROVIDES AN INDICATION OF PROCESS PERFORMANCE PROCEDURE FOR MEASUREMENT AND TRACKING TO BE DEFINED IN LITTELFUSE INSPECTION INSTRUCTIONS
CP	DENOTES CP DIMENSIONS. -MINIMUM CP VALUE MUST BE WITHIN THE DIMENSIONAL LIMITATIONS SHOWN ON DRAWING AND INITIALLY LOCATED TO ALLOW FOR MAXIMUM TOOL LIFE

NAME	DATE	<p>Littelfuse Expertise Applied Answers Delivered</p>
DRAWN DSILVA	10/3/2022	
CHECKED	-	TITLE
		FKH - HOLDER 90 DEGREES CONNECTION
FORM NO. CVP-PE40-0005 REV B		SIZE
THIRD ANGLE PROJECTION		C
		DWG. NO.
		OL-178.7017.0000
DO NOT SCALE DRAWING	SCALE 4:1	REV.
		A
		SHEET 1 OF 1