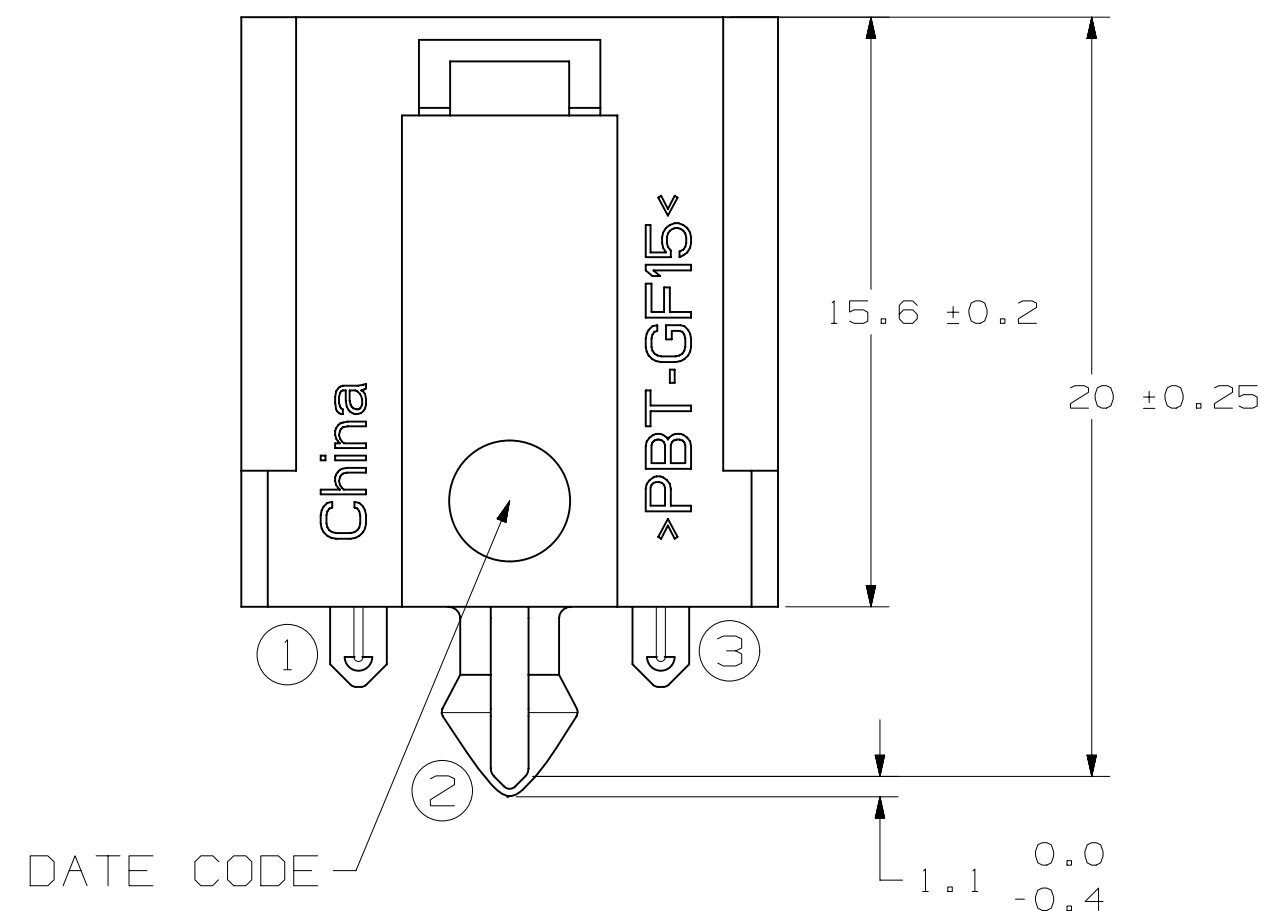
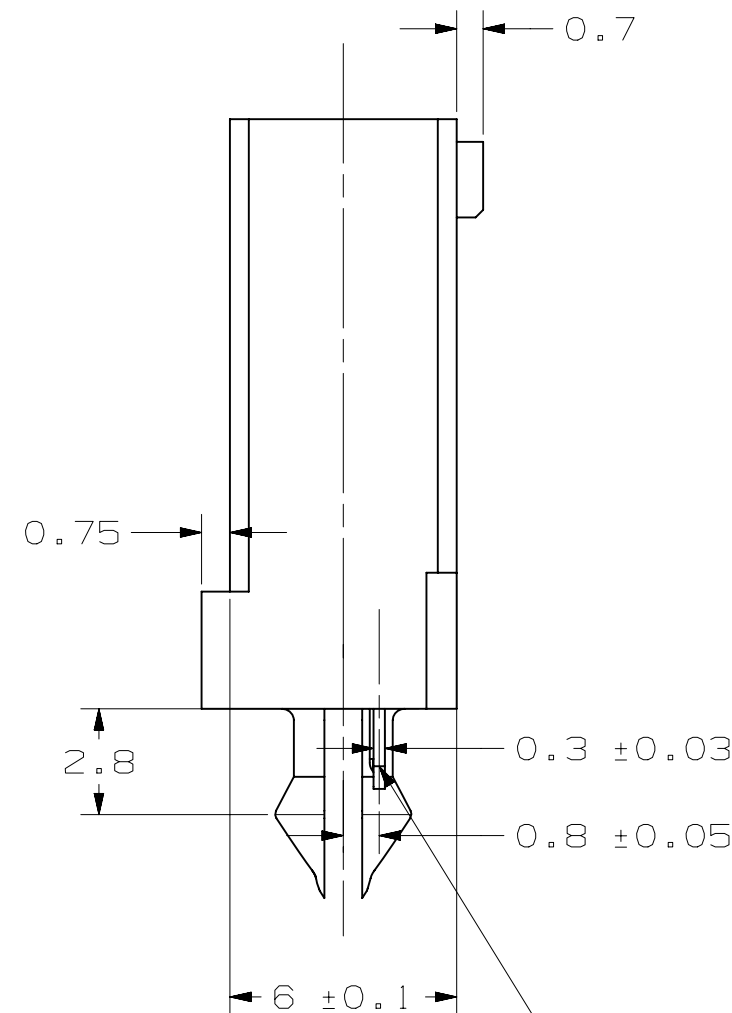
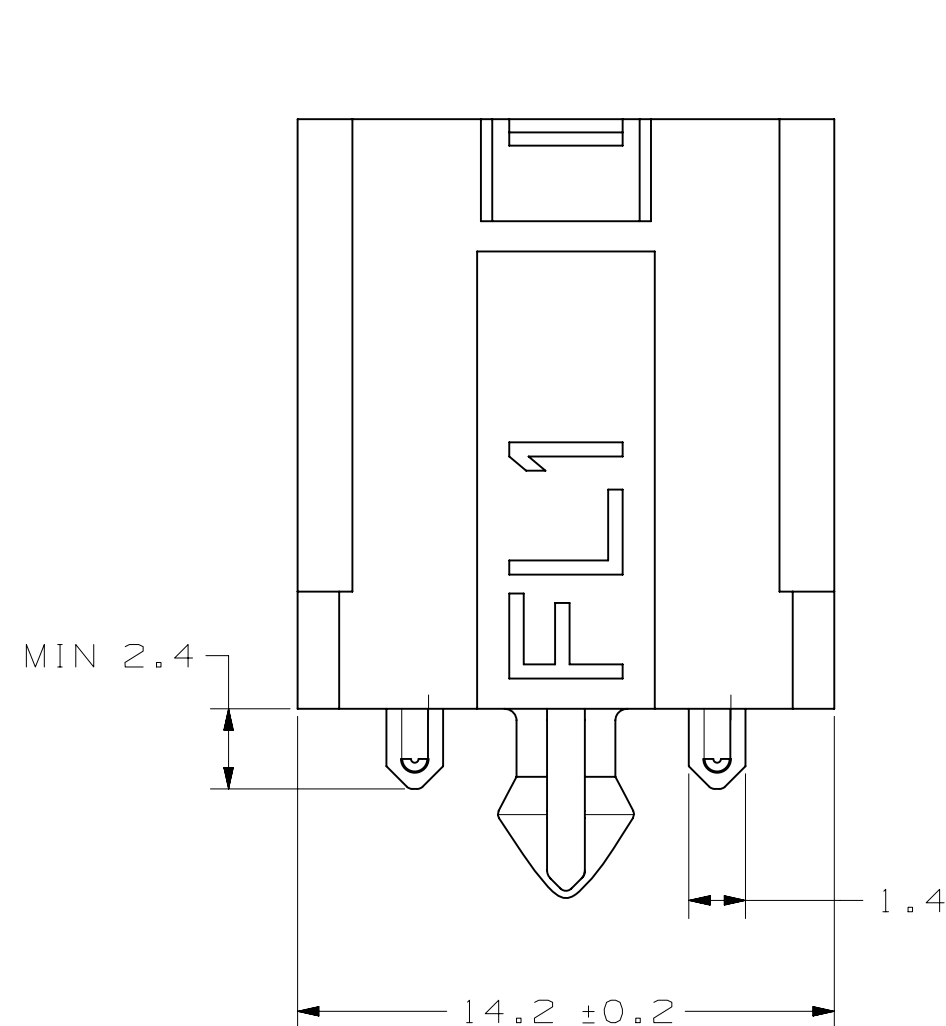


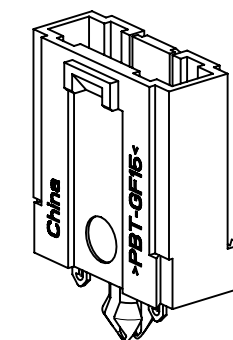
LTR	DATE	REVISION	CHK	APD
A	04/24/15	511284GCA-NEW RELEASE	FYUE	

NOTES:

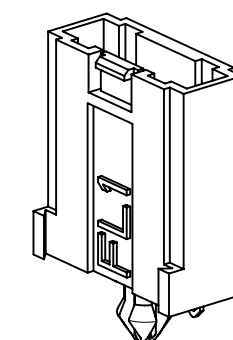
- MATERIALS:
 HOUSING: BLACK PBT, 15% GLASS FIBER REINFORCED
 TERMINAL: TIN PLATED COPPER ALLOY



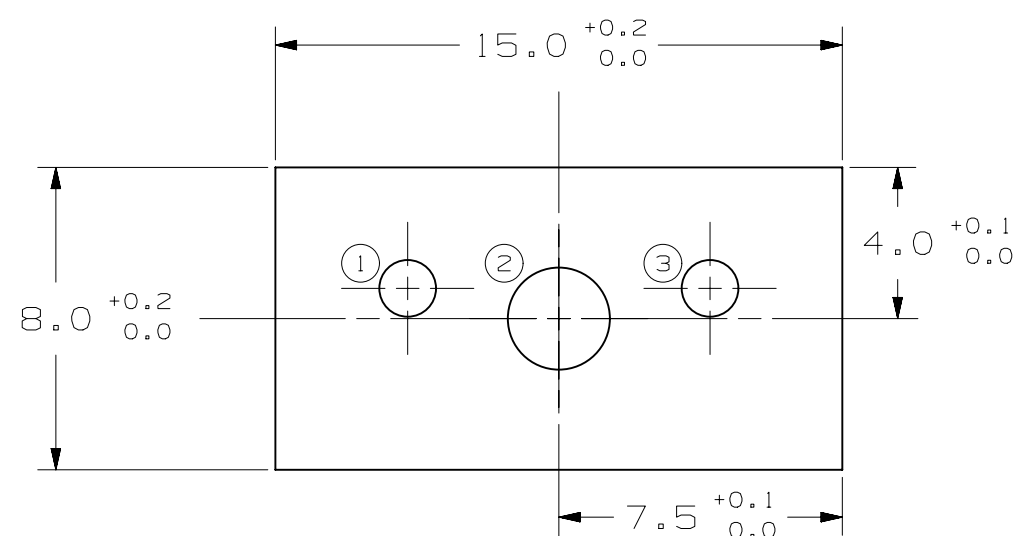
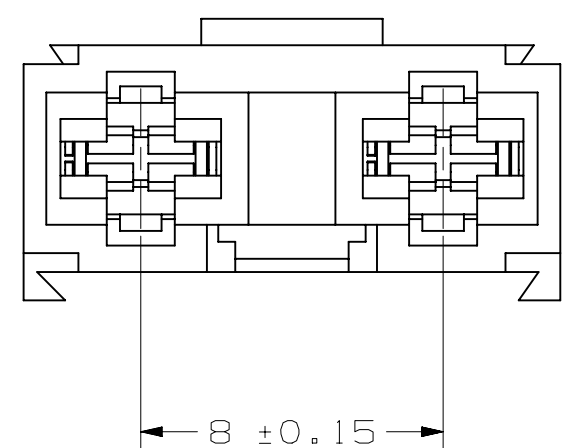
3D VIEW
SCALE 2:1



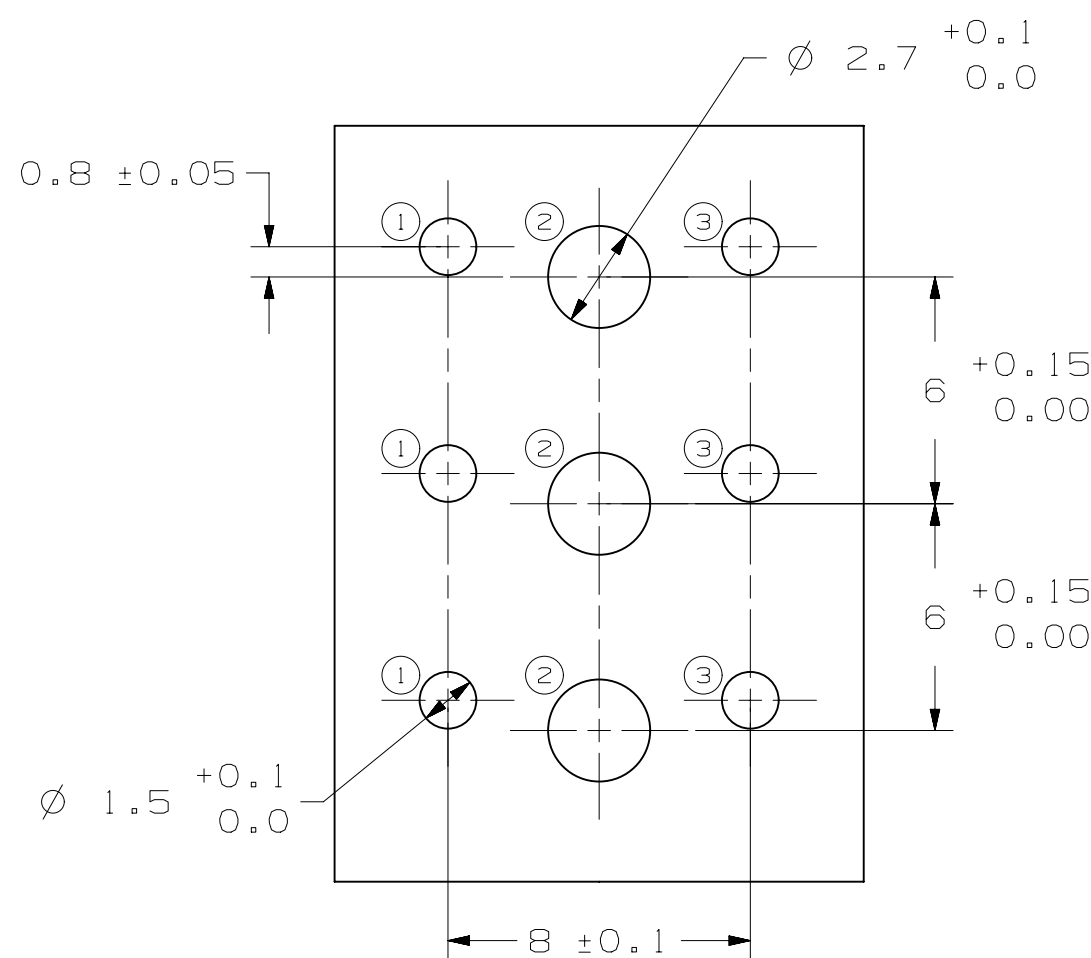
3D VIEW
SCALE 2:1



CONTACT ASYMMETRICAL
ON SIDE OF THE MATERIAL DECLARATION



MOUNTING HOLE SINGLE LAYOUT



MOUNTING HOLE ROW LAYOUT

NO	COMPONENT NO	DESCRIPTION	QTY/M	U/M
BILL OF MATERIAL				

UNLESS OTHERWISE SPECIFIED, DIMENSIONS ARE IN MILLIMETERS.
DIMENSIONS IN BRACKETS [] ARE INCHES

UNLESS OTHERWISE SPECIFIED, DIMENSIONS DO NOT INCLUDE PLATING.

⊙	DENOTES CRITICAL CHARACTERISTICS.
CPK	DENOTES CPK DIMENSIONS, -MINIMUM CPK VALUE
ST	DENOTES A CHARACTERISTIC THAT PROVIDES AN INDICATION OF PROCESS PERFORMANCE. PROCEDURE FOR MEASUREMENT AND TRACKING TO BE DEFINED IN LITTELFUSE INSPECTION INSTRUCTIONS
CP	DENOTES CP DIMENSIONS, -MINIMUM CP VALUE MUST BE WITHIN THE DIMENSIONAL LIMITATIONS SHOWN ON DRAWING AND INITIALLY LOCATED TO ALLOW FOR MAXIMUM TOOL LIFE

COPIES TO	MATL SPEC
1 9 18	REFER TO NOTES
2 10 19	FINISH
3 12 20	REFER TO NOTES
4 13 21	DRW FYUE DATE 04/24/15 SCALE 5:1
5 14 23	CHK DATE SUPER DR
6 15 33	APPD DATE FINSH GOOD WT
7 16 43	
8 17 53	GRAMS/PIECE

TOLERANCE	0.5 - 3	3 - 6	6 - 30	30 - 120	120 - 400
DIMENSION	UP TO	UP TO	UP TO	UP TO	UP TO
TOLERANCE	+0.1	+0.1	+0.2	+0.3	+0.5

3RD ANGLE PROJECTION	TITLE
	FL1 PCB MINI FUSE HOLDER

METRIC
ASSEMBLY

LITTELFUSE
CHICAGO, USA 773-628-1000

REVISION	DRWG. NO.	OUTLINE
A	178.6764.0001	

CAD GENERATED DRAWING - NO PENCIL CHANGES ALLOWED (REV C)