

8

7

6

5

4

3

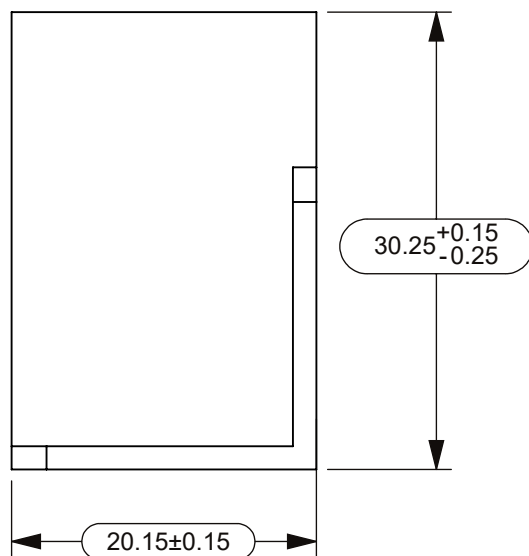
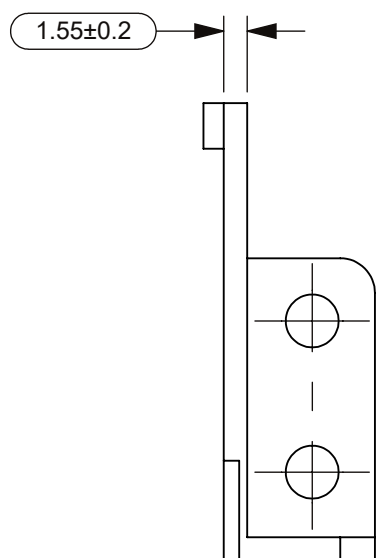
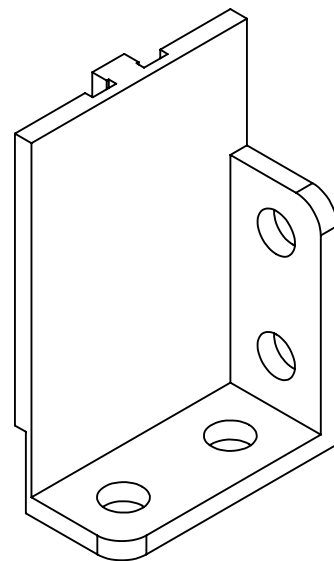
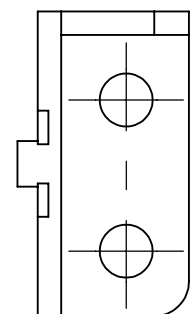
2

1

THIS DRAWING AND THE INFORMATION CONTAINED WITHIN IT ARE CONFIDENTIAL AND MAY NOT BE COPIED OR DISCLOSED WITHOUT THE WRITTEN PERMISSION OF LITTELFUSE.

ART. NR.	DESCRIPTION	NOTE
178.6191.000_	ADAPTER FKH-HOLDER RIGHT	-

REVISIONS				
ZONE	REV.	DESCRIPTION	DATE	APPROVED
	A	PCO #5300036. INITIAL RELEASE. DSILVA	3/7/2022	L.ARGIL



NOTES:  
 1. MATERIAL: PET, COLOR BLACK

NO.	COMPONENT NO.	COMPONENT NAME	QTY	U
TOLERANCES UNLESS OTHERWISE SPECIFIED (REF. ISO 2768.FH)				
.5 to 3	>3 to 6	>6 to 30	>30 to 120	>120 to 400
±0.05	±0.05	±0.1	±0.15	±0.2
				ANGLE
				NONE

DIMENSIONS ARE SHOWN IN MILLIMETERS.  
 UNLESS OTHERWISE SPECIFIED, DIMENSIONS DO NOT INCLUDE PLATING.

●	FIT/ FUNCTION CRITICAL CHARACTERISTICS
<S>	SAFETY/ COMPLIANCE CRITICAL CHARACTERISTICS SYMBOL
CPK	DENOTES CPK DIMENSIONS MINIMUM CPK VALUE
(ST)	DENOTES A CHARACTERISTIC THAT PROVIDES AN INDICATION OF PROCESS PERFORMANCE.PROCEDURE FOR MEASUREMENTAND TRACKINGTO BE DEFINED IN LITTELFUSE INSPECTION INSTRUCTIONS
CP	DENOTES CP DIMENSIONS. -MINIMUM CP VALUE MUST BE WITHIN THE DIMENSIONAL LIMITATIONS SHOWN ON DRAWING AND INITIALLY LOCATED TO ALLOW FOR MAXIMUM TOOL LIFE

NAME	DATE	<p><b>Littelfuse</b> Expertise Applied   Answers Delivered</p>
DRAWN D.SILVA	1/14/2022	
CHECKED -	-	
-	-	
FORM NO: CVP-PE40-0003 REV B		TITLE
THIRD ANGLE PROJECTION		ADAPTER FOR FKH-HOLDER RIGHT
SIZE B	DWG. NO. OL-178.6191.0000	REV. A
DO NOT SCALE DRAWING	SCALE 2:1	SHEET 1 OF 1

8

7

6

5

4

3

2

1