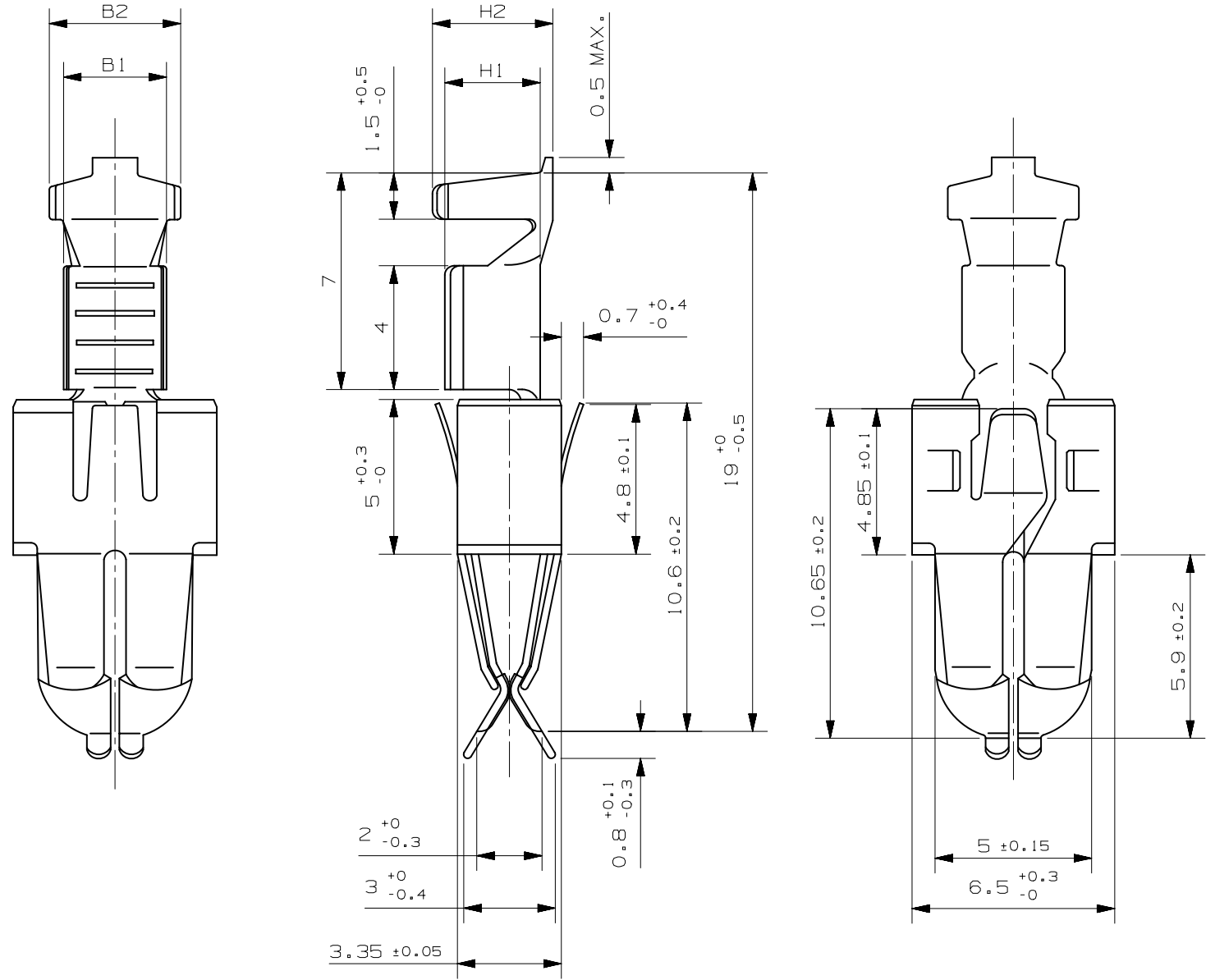


ARTIKELNUMMER ARTICLE-No.	B1 IN mm	B2 IN mm	H1 IN mm	H2 IN mm	mm2
178.6116.100_	3.0	4.2	2.8	3.9	0.5 - 1
178.6116.2501/2	3.5	5.1	3.85	4.9	1.5 - 2.5
178.6116.2508	4.1	5.3	3.8	5.3	1.5 - 2.5
178.6116.400_	5.1	6.9	4.7	6.7	2.5 - 4
178.6116.600_	6.2	8.1	5.7	7.3	4 - 6

TOLERANZ DER TABELLENMAßE ±0.2 mm.
CHART TOLERANCES ±0.2 mm.

ALLGEMEINTOLERANZEN
GENERAL TOLERANCES
DIN ISO 2768-m



UNLESS OTHERWISE SPECIFIED, DIMENSIONS ARE IN MILLIMETERS.
DIMENSIONS IN BRACKETS [] ARE INCHES

UNLESS OTHERWISE SPECIFIED, DIMENSIONS DO NOT INCLUDE PLATING.

© DENOTES CRITICAL CHARACTERISTICS.

CPK DENOTES CPK DIMENSIONS, -MINIMUM CPK VALUE

ST DENOTES A CHARACTERISTIC THAT PROVIDES AN INDICATION OF PROCESS PERFORMANCE. PROCEDURE FOR MEASUREMENT AND TRACKING TO BE DEFINED IN LITTELFUSE INSPECTION INSTRUCTIONS

CP DENOTES CP DIMENSIONS, -MINIMUM CP VALUE MUST BE WITHIN THE DIMENSIONAL LIMITATIONS SHOWN ON DRAWING AND INITIALLY LOCATED TO ALLOW FOR MAXIMUM TOOL LIFE

METRIC
COMPONENT

NO	COMPONENT NO	DESCRIPTION	QTY/M	U/M
BILL OF MATERIAL				

LTR	DATE	REVISION	CHK	APD
A	09/19/12	5061888A-REDRAW IN UG AND CHANGE TERMINAL SHAPE FROM ORIGINAL DRAWING OPL		

COPIES TO	MATL SPEC	CuFeAg
1 9	FINISH	-
2 10	DRW OPL	DATE 09/19/12
3 12	CHK	DATE SUPER DR
4 13	APPD	DATE FINISH GOOD WT
5 14		GRAMS/PIECE
6 15		
7 16		
8 17		
18		
19		
20		
21		
22		
23		
33		
43		
53		

TOLERANCES UNLESS OTHERWISE SPECIFIED (REF. ISO 2768-FH)

DIMENSION	UP TO 0.5	UP TO 3	UP TO 6	UP TO 30	UP TO 120	UP TO 400
TOLERANCE	+0.05	+0.05	+0.05	+0.1	+0.15	+0.2

3RD ANGLE PROJECTION

TITLE DFK-KONTAKT
DFK-CONTACT

REVISION DRWG. NO. A 178.6116.1000

OUTLINE

Littelfuse
CHICAGO, USA 773-628-1000