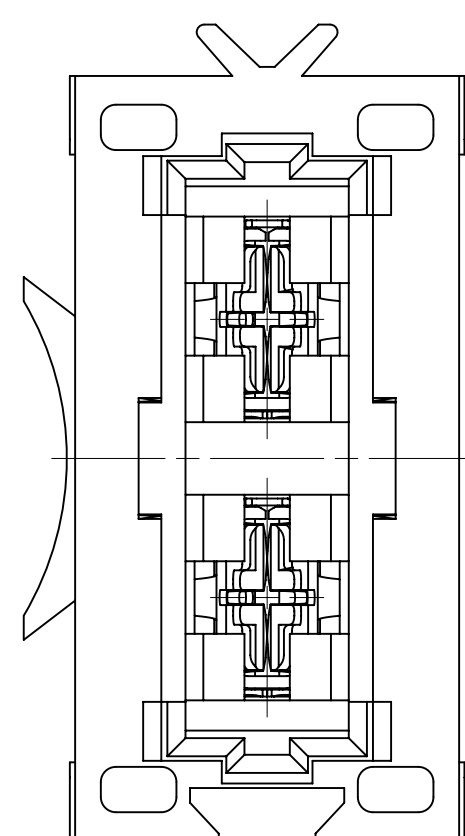
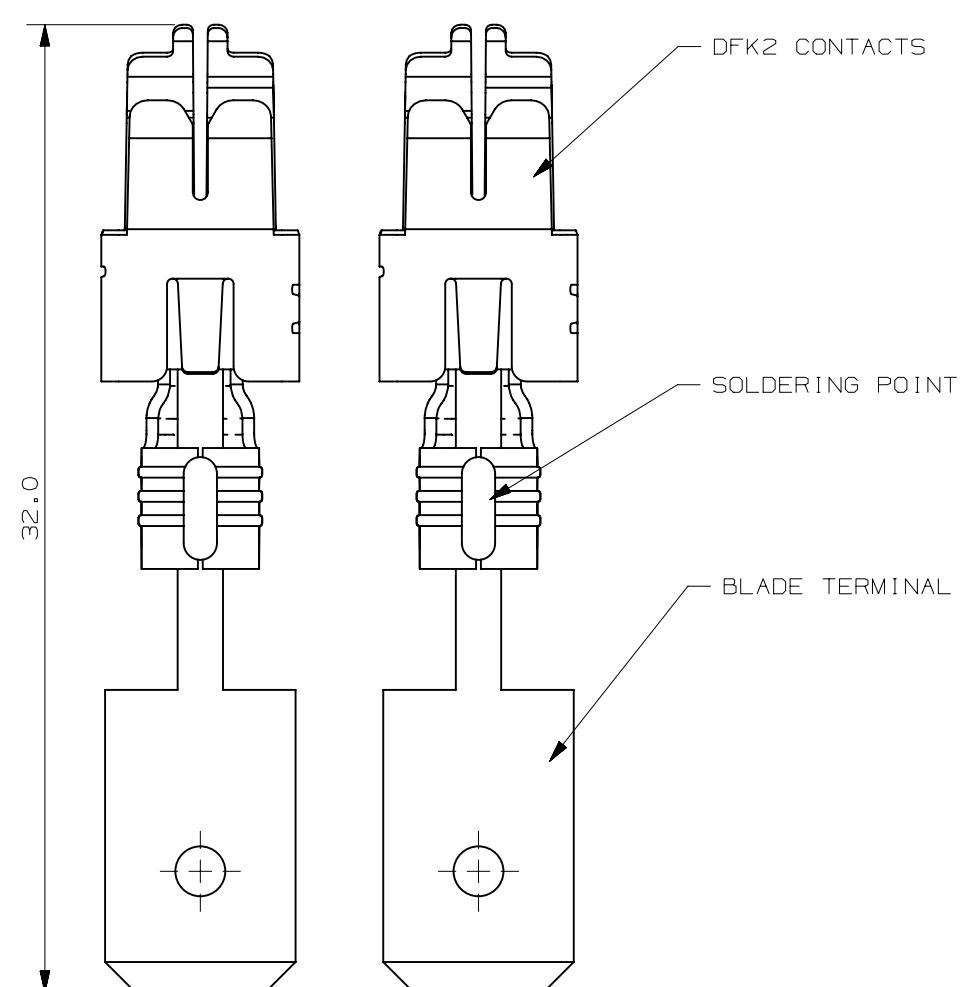
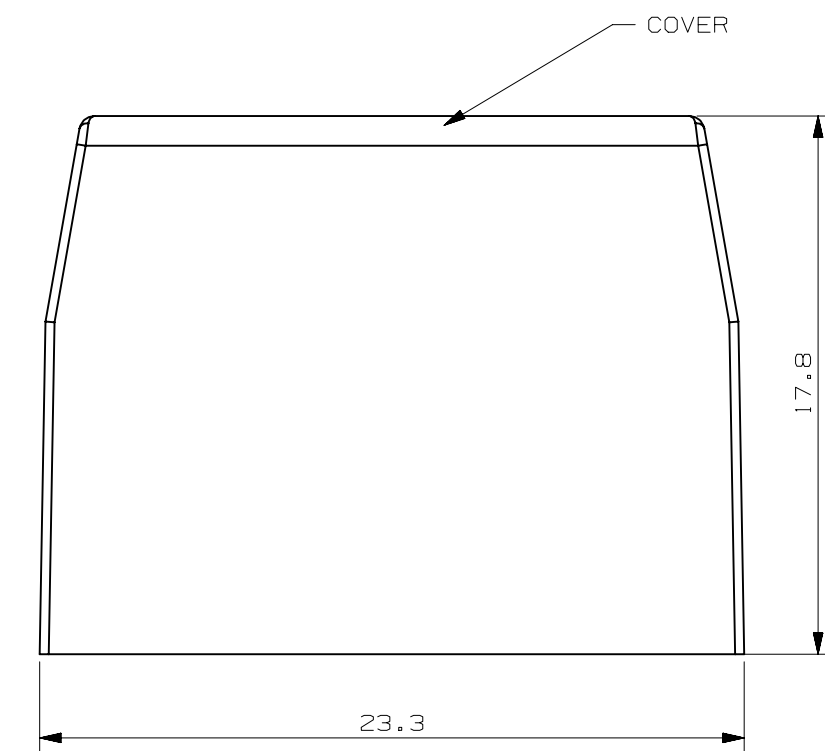
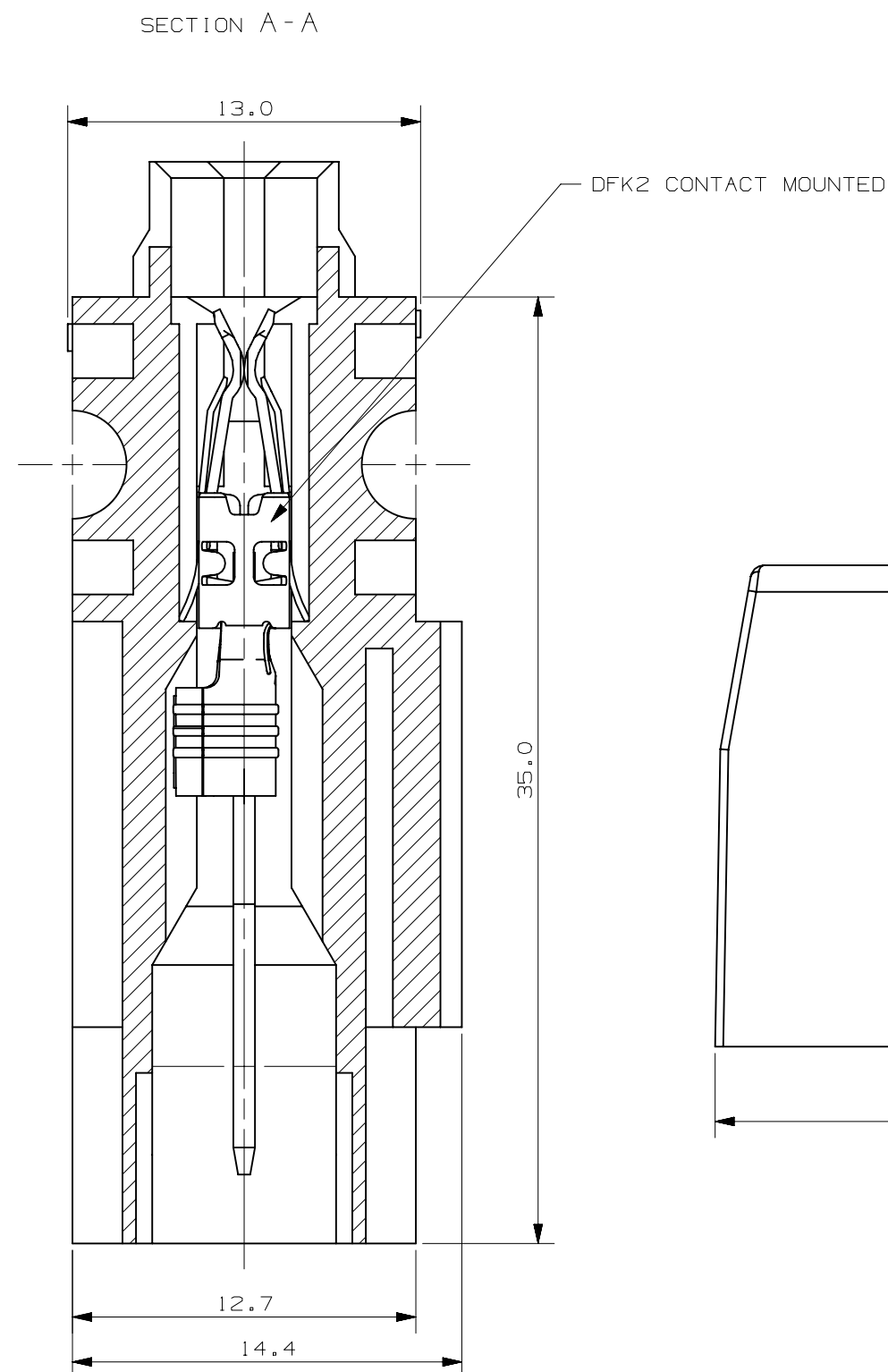
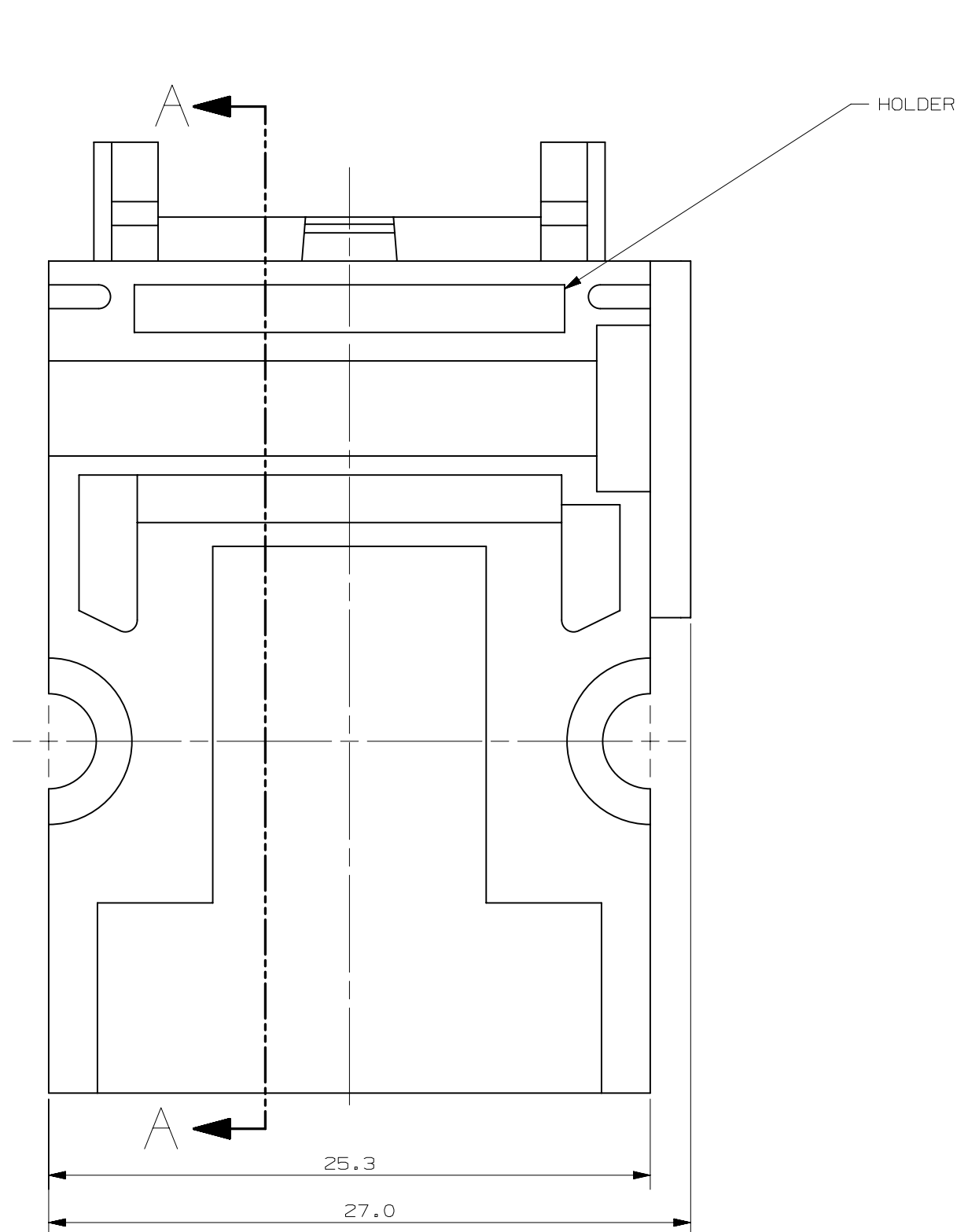


| LTR | DATE | REVISION | CHK | APD |
|-----|----------|--------------------------|------|-----|
| A | 04/24/15 | GCF511823GCA-NEW RELEASE | FYUE | |
| | | | | |
| | | | | |
| | | | | |
| | | | | |
| | | | | |
| | | | | |
| | | | | |
| | | | | |
| | | | | |



| NO | COMPONENT NO | DESCRIPTION | QTY/M | U/M |
|----|--------------|-------------|-------|-----|
| - | | | | |
| - | | | | |
| - | | | | |

| BILL OF MATERIAL | | | |
|--|---|----------|---------------------------|
| UNLESS OTHERWISE SPECIFIED, DIMENSIONS ARE IN MILLIMETERS. DIMENSIONS IN BRACKETS [] ARE INCHES | | | |
| UNLESS OTHERWISE SPECIFIED, DIMENSIONS DO NOT INCLUDE PLATING. | | | |
| ⊙ | DENOTES CRITICAL CHARACTERISTICS. | | |
| CPK | DENOTES CPK DIMENSIONS, -MINIMUM CPK VALUE | | |
| ST | DENOTES A CHARACTERISTIC THAT PROVIDES AN INDICATION OF PROCESS PERFORMANCE. PROCEDURE FOR MEASUREMENT AND TRACKING TO BE DEFINED IN LITTELFUSE INSPECTION INSTRUCTIONS | | |
| CP | DENOTES CP DIMENSIONS, -MINIMUM CP VALUE MUST BE WITHIN THE DIMENSIONAL LIMITATIONS SHOWN ON DRAWING AND INITIALLY LOCATED TO ALLOW FOR MAXIMUM TOOL LIFE | | |
| COPIES TO | MATL SPEC COVER: THERMOPLAST HOLDER: THERMOPLAST DFK2 CONTACTS: COPPER ALLOY | | |
| 1 9 18 | FINISH | | |
| 2 10 19 | - | | |
| 3 12 20 | DRW | DATE | SCALE |
| 4 13 21 | FYUE | 04/24/15 | 4:1 |
| 5 14 23 | CHK | DATE | SUPER DR |
| 6 15 33 | APPD | DATE | FINSH GOOD WT |
| 7 16 43 | | | |
| 8 17 53 | | | |
| TOLERANCES UNLESS OTHERWISE SPECIFIED (REF. ISO 2768-mK) | | | |
| DIMENSION | 0.5 - 3 | 3 - 6 | 6 - 30 |
| TOLERANCE | +0.1 | +0.1 | +0.2 |
| | | | +0.3 |
| | | | +0.5 |
| 3RD ANGLE PROJECTION | TITLE | | |
| | FH2 HOLDER WITH BLADE TERMINAL | | |
| METRIC ASSEMBLY | Littelfuse | REVISION | DRWG. NO. |
| | | A | 178.6105.1002 |
| | | | OUTLINE |
| | | | CHICAGO, USA 773-628-1000 |

METRIC ASSEMBLY

Littelfuse
CHICAGO, USA 773-628-1000

REVISION: A
DRWG. NO.: 178.6105.1002
OUTLINE

CAD GENERATED DRAWING - NO PENCIL CHANGES ALLOWED (REV C)