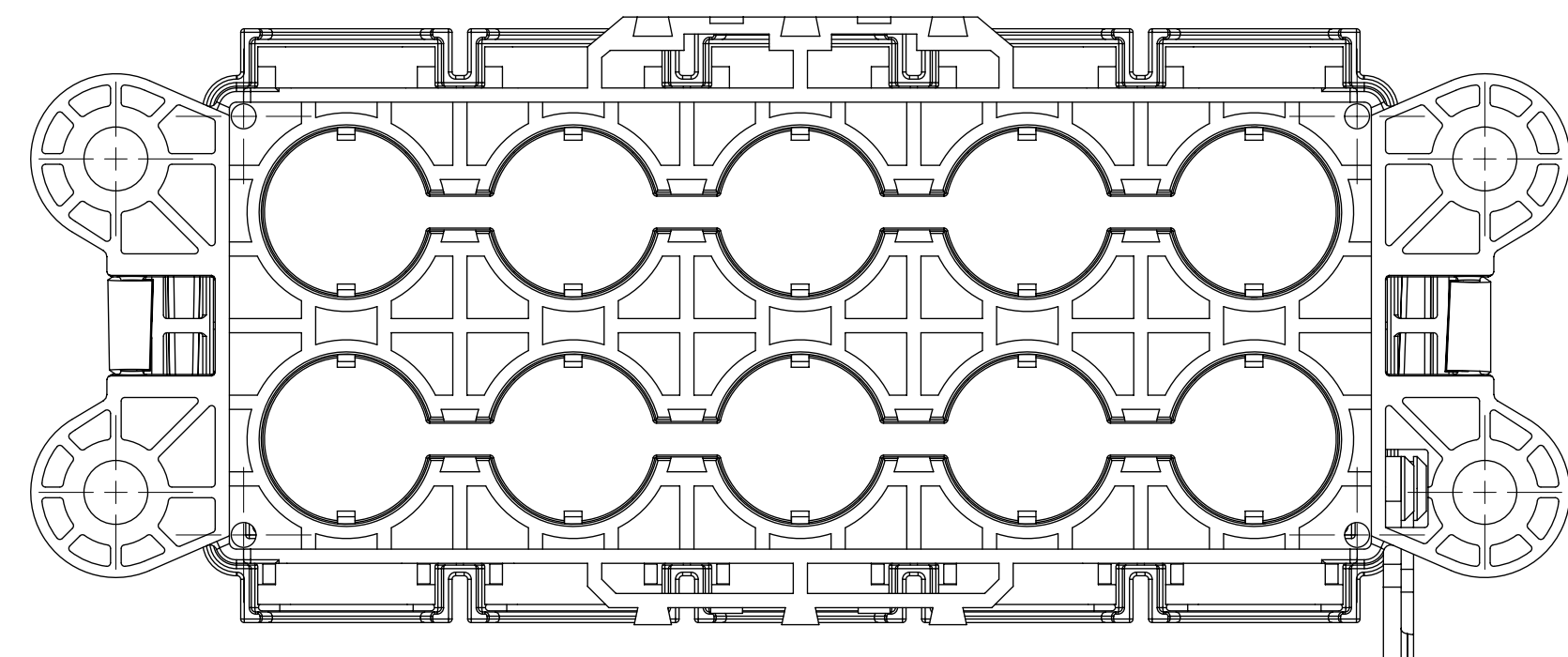
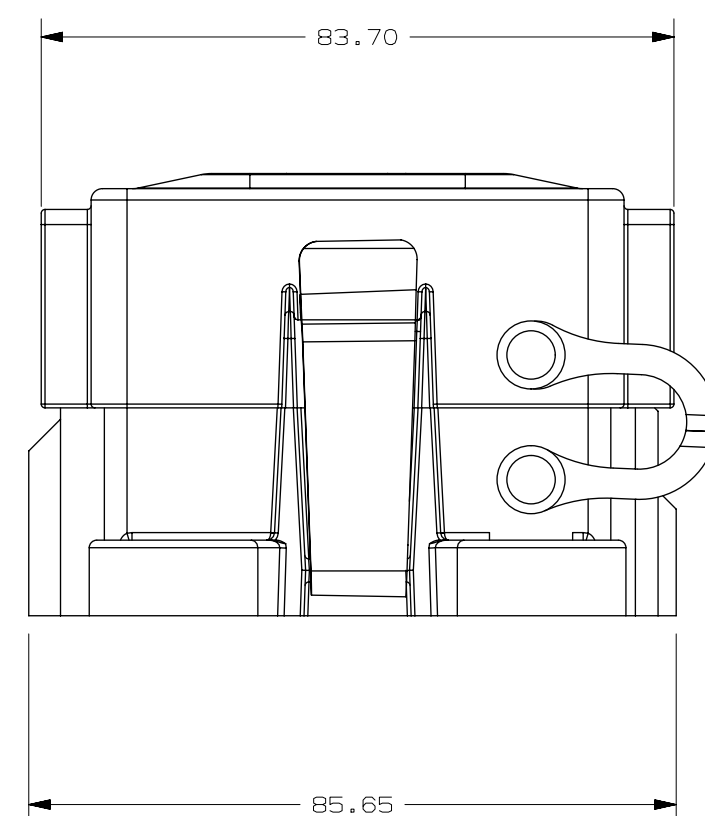
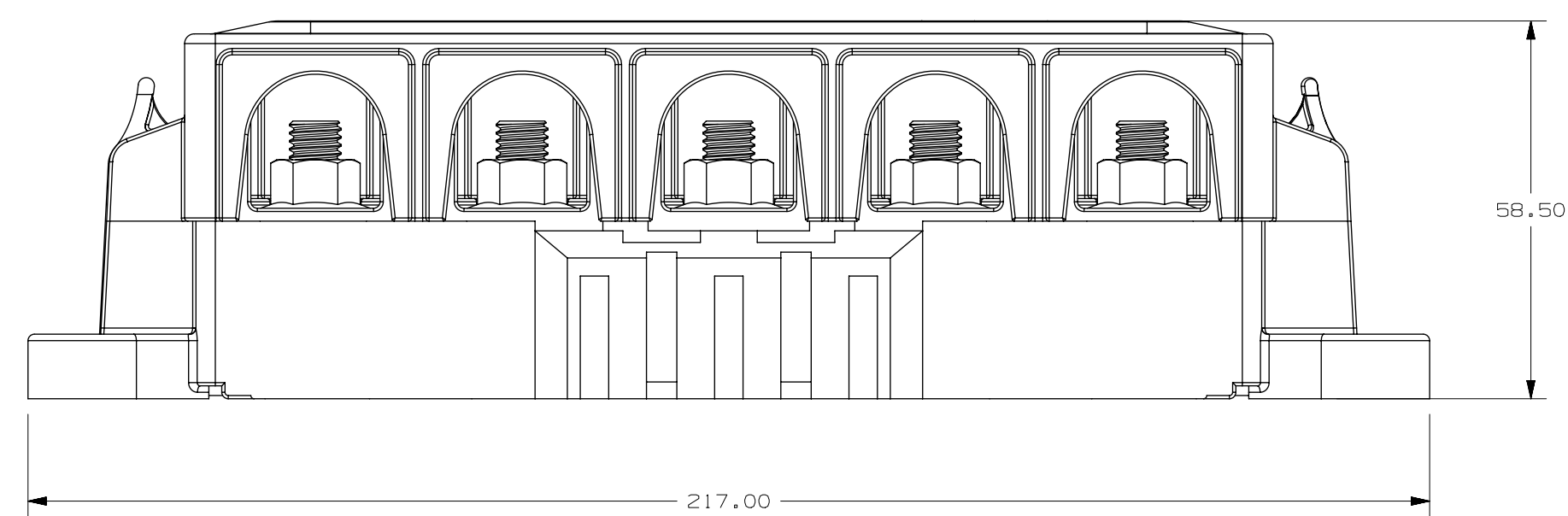
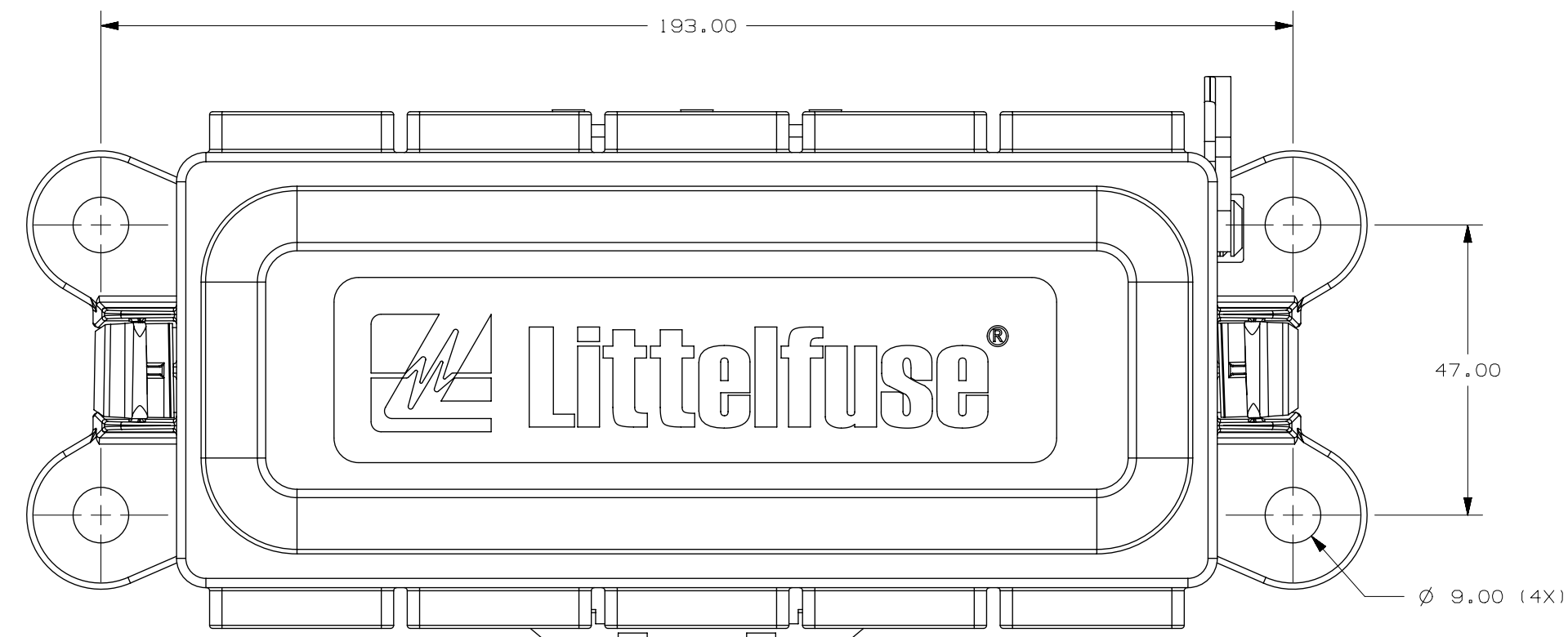


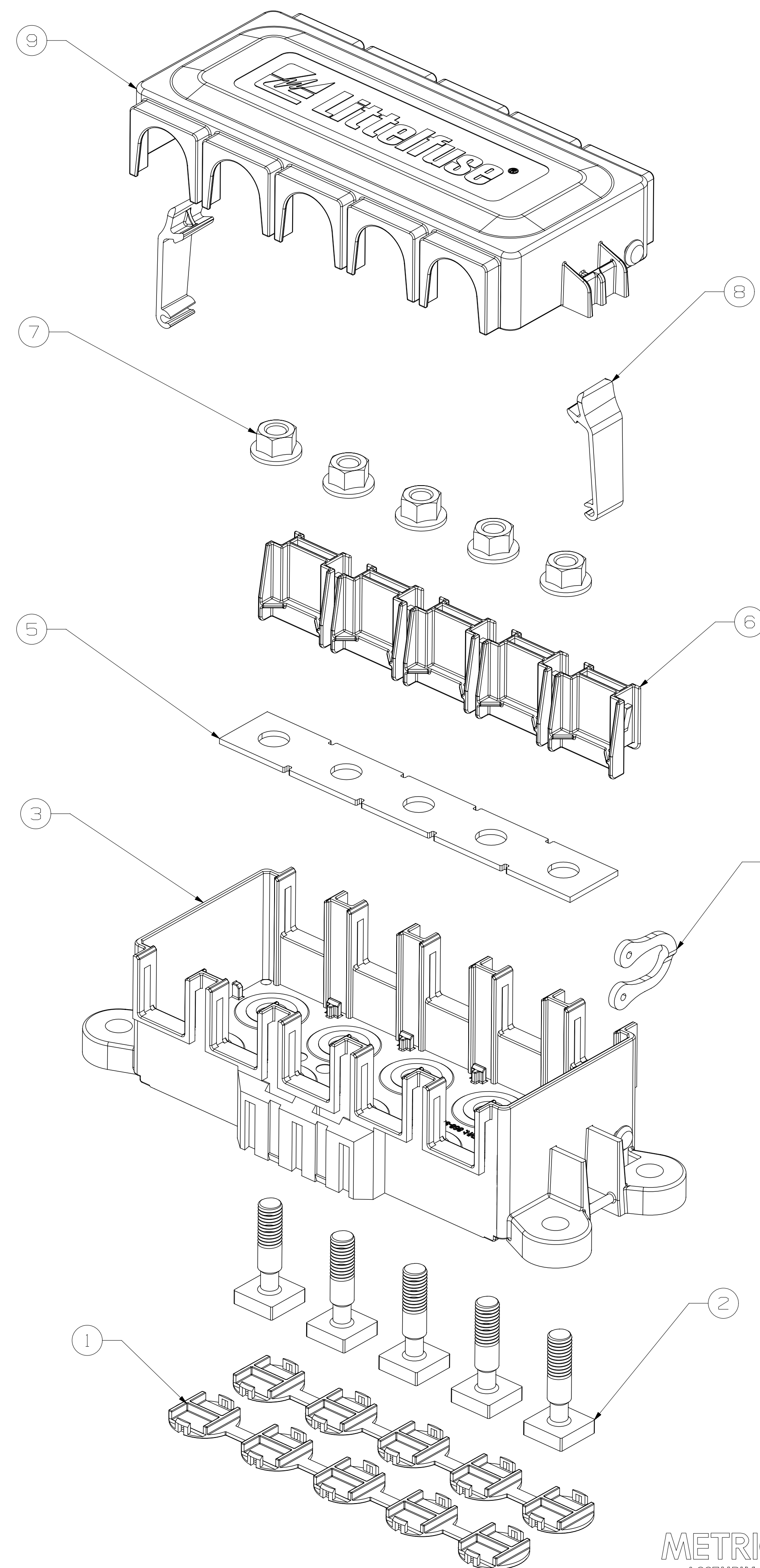
PART NUMBER	WITH BOX
OFHZ0005Z	NONE
OFHZ0005Z-BX	CA-606



NOTES:

1. MATERIALS:
 BASE/COVER: BLACK FR30
 BUS BAR: C1100 Sn PLATED
 TETHER: BLACK SILICON RUBBER
 DUST COVER: GREEN SILICON RUBBER
 STUD: STEEL Zn/FE ALLOY PLATED
 BOTTOM CAP: BLUE PAB6
 LATCH: YELLOW POM
 FLANGE NUT: STAINLESS STEEL
2. MAX. MAIN INPUT: 400A
3. OPERATING TEMPERATURE RANGE: -40°C TO 85°C
4. M8 MOUNTING TORQUE: 10±2 Nm
5. MAX. WIRE SIZE 105 sqmm OR AWG 4/0.

LTR	DATE	REVISION	CHK	APD
A	26/JUN/18	5194976CC-NEW RELEASE	FYUE	



NO	COMPONENT NO	DESCRIPTION	QTY/M	U/M
9	873-716	COVER	1	EA
8	883-088	LATCH	2	EA
7	980003760	MB NUT	5	EA
6	901-520	DUST COVER	5	EA
5	882-889-5	BUS BAR	1	EA
4	890009470	TETHER	1	EA
3	868-967	BASE	1	EA
2	908-067	MB STUD	5	EA
1	883-094	BOTTOM CAP	2	EA
NO	COMPONENT NO	DESCRIPTION	QTY/M	U/M

BILL OF MATERIAL

COPIES TO	MATL SPEC	SEE NOTE
1 9 18		
2 10 19	FINISH	SEE NOTE
3 12 20		
4 13 21	DRW	DATE 26/JUN/18 SCALE 1:1
5 14 23	CHK	DATE SUPER DR
6 15 33		
7 16 43	APPD	DATE FINSH GOOD WT
8 17 53		

TOLERANCES UNLESS OTHERWISE SPECIFIED (REF. ISO 2768-PT1)	DIMENSION	0,5 - 3	3 - 6	6 - 30	30 - 120	120 - 400
TOLERANCE		+0,1	+0,1	+0,2	+0,3	+0,5
PROJECTION						
TITLE	UNSEALED 4-WAY ZCARE FUSE BOX					
METRIC ASSEMBLY	Littelfuse		REVISION	DRWG. NO.	OUTLINE	
			A	OFHZ0005Z		

CAD GENERATED DRAWING - NO PENCIL CHANGES ALLOWED