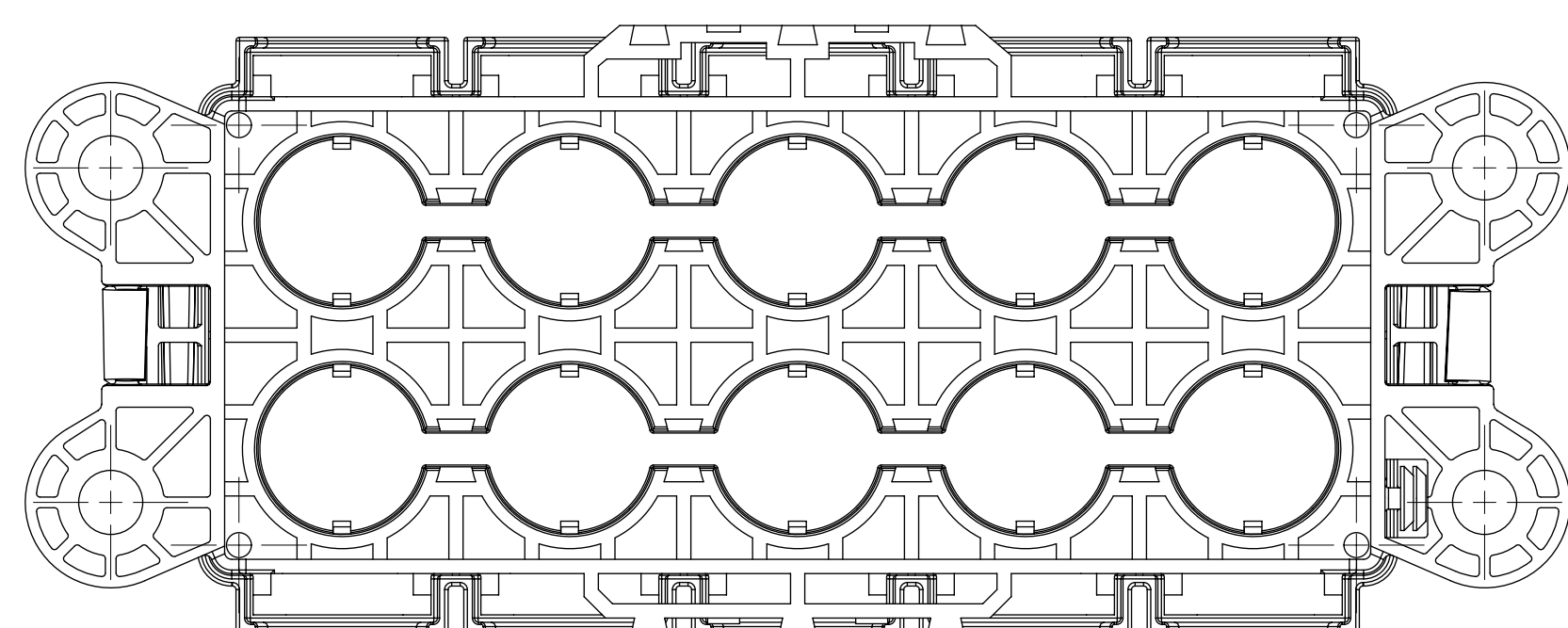
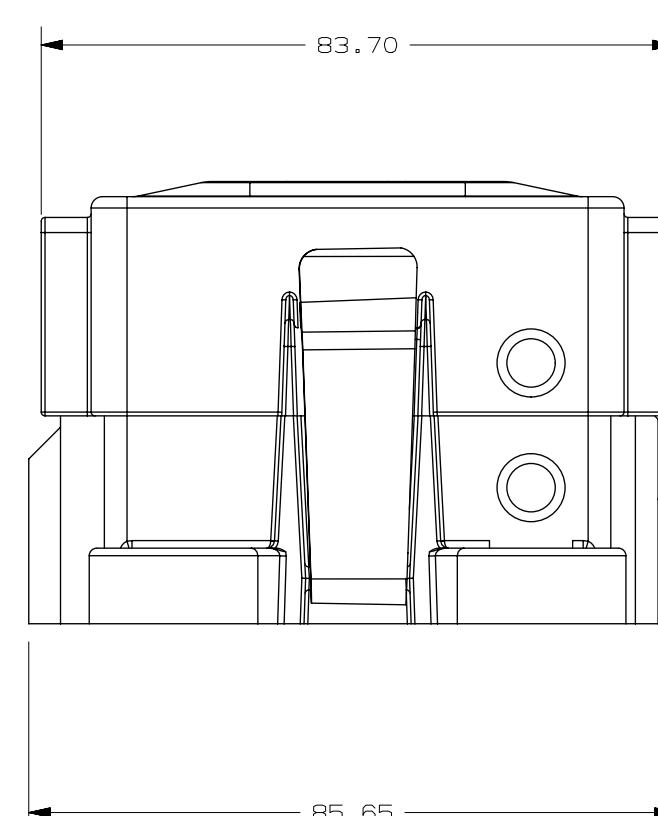
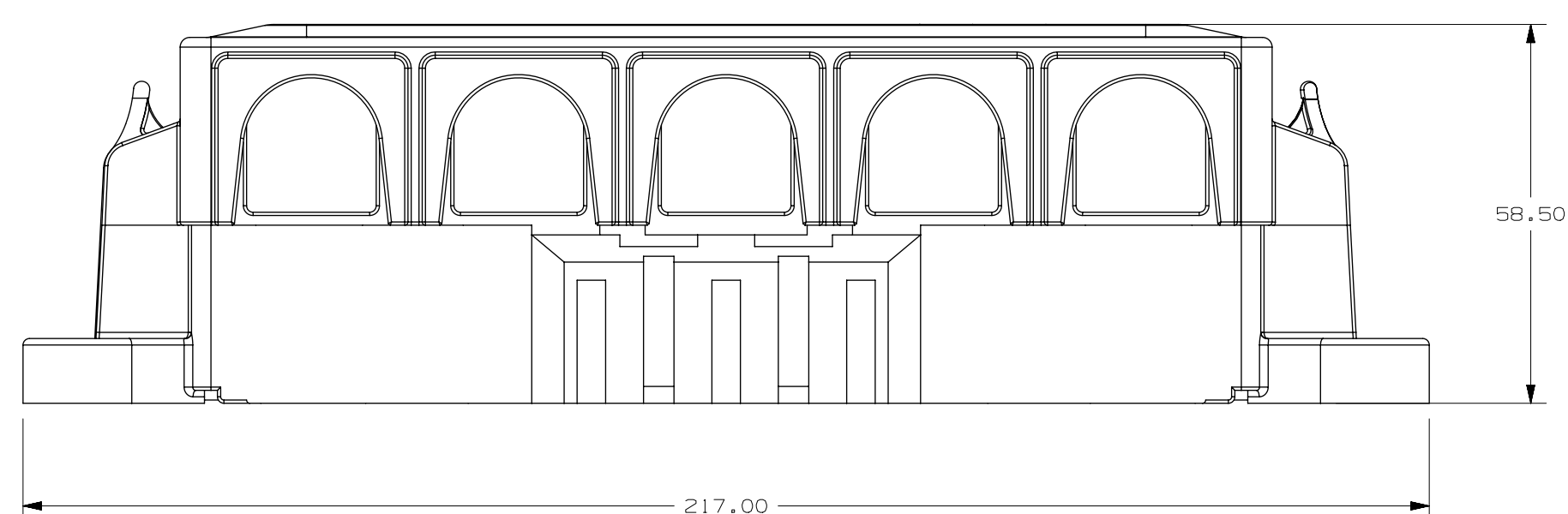
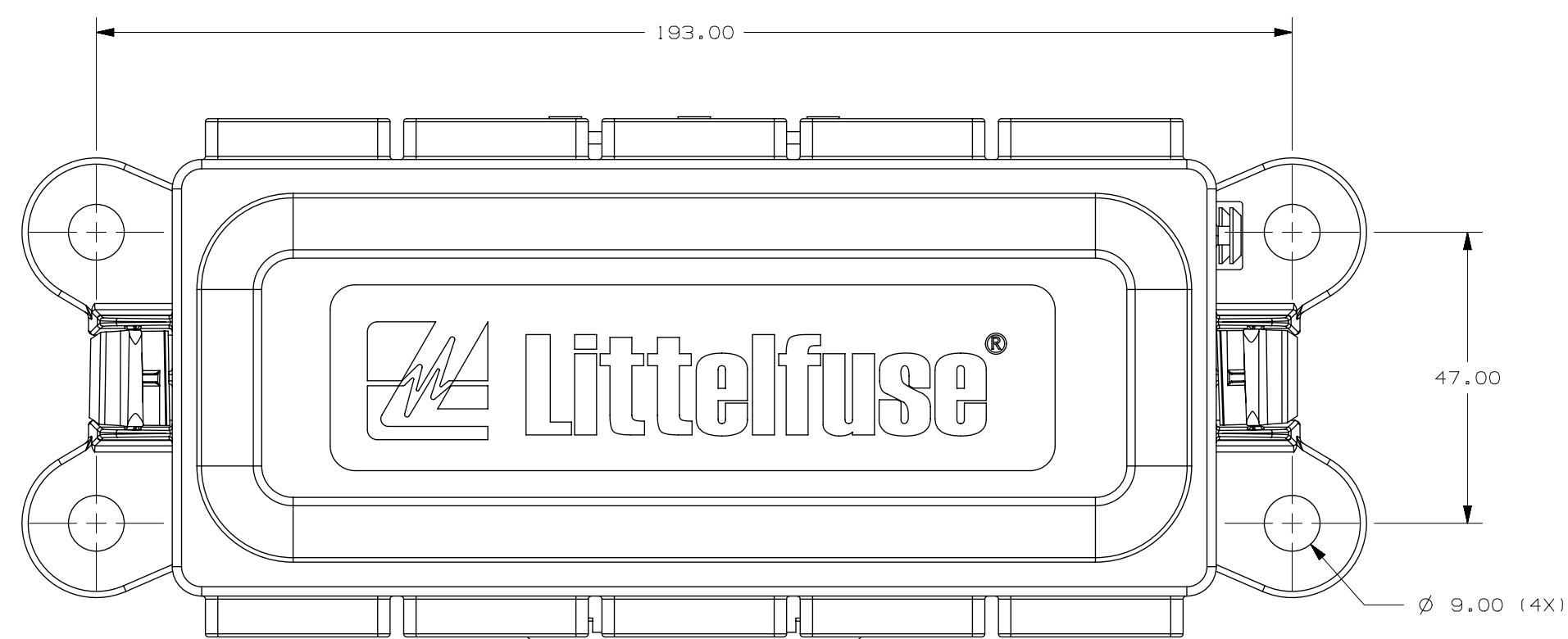
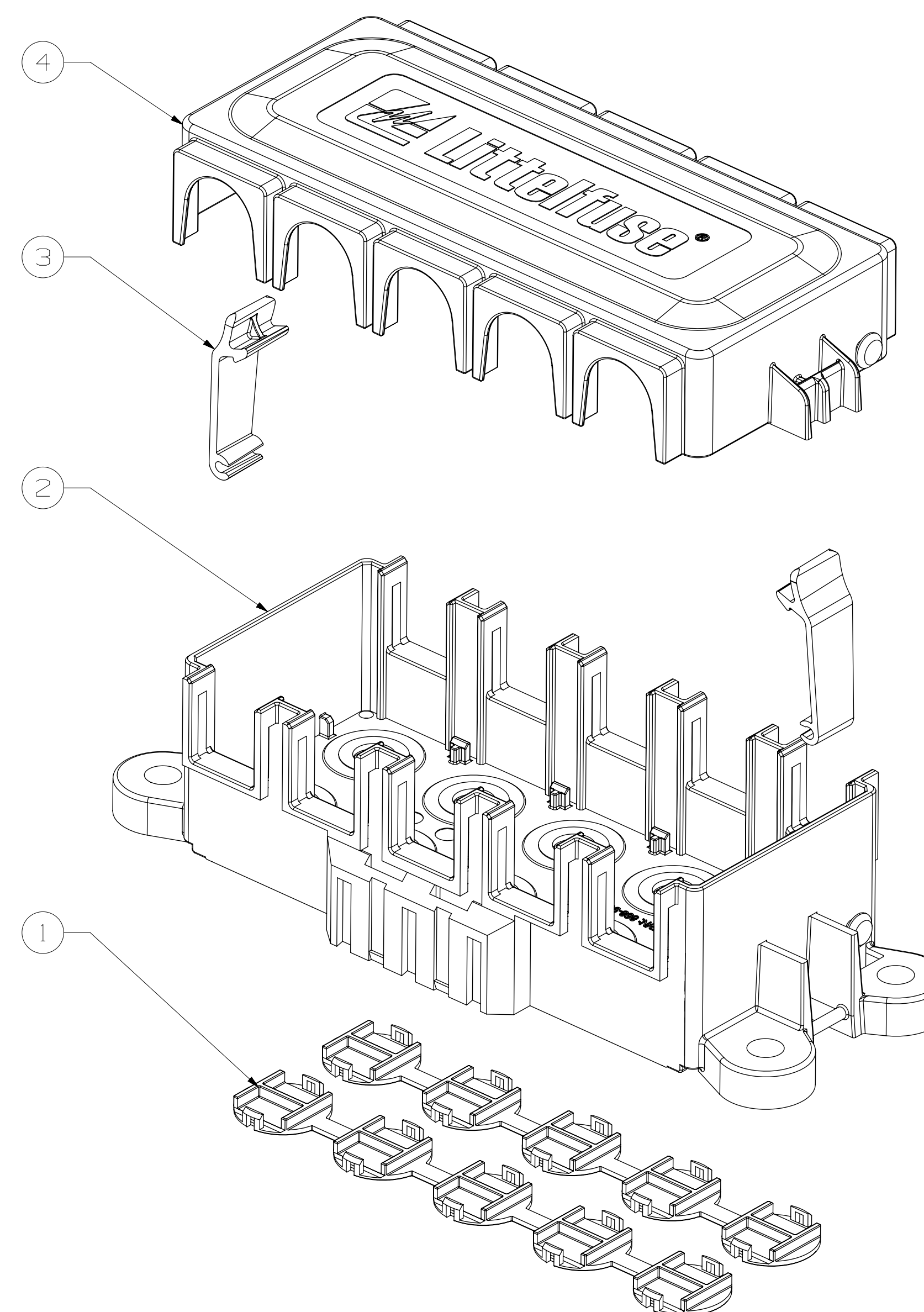


LTR	DATE	REVISION	CHK	APP
A	26/JUN/18	519497GCC-NEW RELEASE	FYUE	



- NOTES:
1. MATERIALS:
 BASE/COVER: BLACK FR530
 BOTTOM CAP: BLUE PA66
 LATCH: YELLOW POM
 2. MAX. MAIN INPUT: 400A
 3. OPERATING TEMPERATURE RANGE: -40°C TO 85°C
 4. MB MOUNTING TORQUE: 10±2 Nm
 5. MAX. WIRE SIZE 105 sqmm OR AWG 4/0.



NO	COMPONENT NO	DESCRIPTION	QTY/M	U/M
4	873-716	COVER	1	EA
3	883-088	LATCH	2	EA
2	868-967	BASE	1	EA
1	883-094	BOTTOM CAP	2	EA

BILL OF MATERIAL

UNLESS OTHERWISE SPECIFIED, DIMENSIONS ARE IN MILLIMETERS.
 DIMENSIONS IN BRACKETS () ARE INCHES

UNLESS OTHERWISE SPECIFIED, DIMENSIONS DO NOT INCLUDE PLATING.

SYMBOL	DESCRIPTION
⊙	DENOTES CRITICAL CHARACTERISTICS.
CPK	DENOTES CPK DIMENSIONS. -MINIMUM CPK VALUE
ST	DENOTES A CHARACTERISTIC THAT PROVIDES AN INDICATION OF PROCESS PERFORMANCE. PROCEDURE FOR MEASUREMENT AND TRACKING TO BE DEFINED IN LITTELFUSE INSPECTION INSTRUCTIONS
CP	DENOTES CP DIMENSIONS. -MINIMUM CP VALUE MUST BE WITHIN THE DIMENSIONAL LIMITATIONS SHOWN ON DRAWING AND INITIALLY LOCATED TO ALLOW FOR MAXIMUM TOOL LIFE

COPIES TO	MATL SPEC	SEE NOTE
1 9 18		
2 10 19	FINISH	SEE NOTE
3 12 20		
4 13 21	DRW	DATE 26/JUN/18 SCALE 1:1
5 14 23	CHK	DATE SUPER DR
6 15 33	APPD	DATE FINISH GOOD WT
7 16 43		
8 17 53		

TOLERANCES UNLESS OTHERWISE SPECIFIED (REF. ISO 2768-PT1)

DIMENSION	0,5 - 3	3 - 6	6 - 30	30 - 120	120 - 400
TOLERANCE	+0,1	+0,1	+0,2	+0,3	+0,5

PROJECTION: UNSEALED 4-WAY ZCASE FUSE BOX

METRIC ASSEMBLY

Littelfuse REVISION: A DRAWG. NO.: OFHZ0003Z OUTLINE

CAD GENERATED DRAWING - NO PENCIL CHANGES ALLOWED