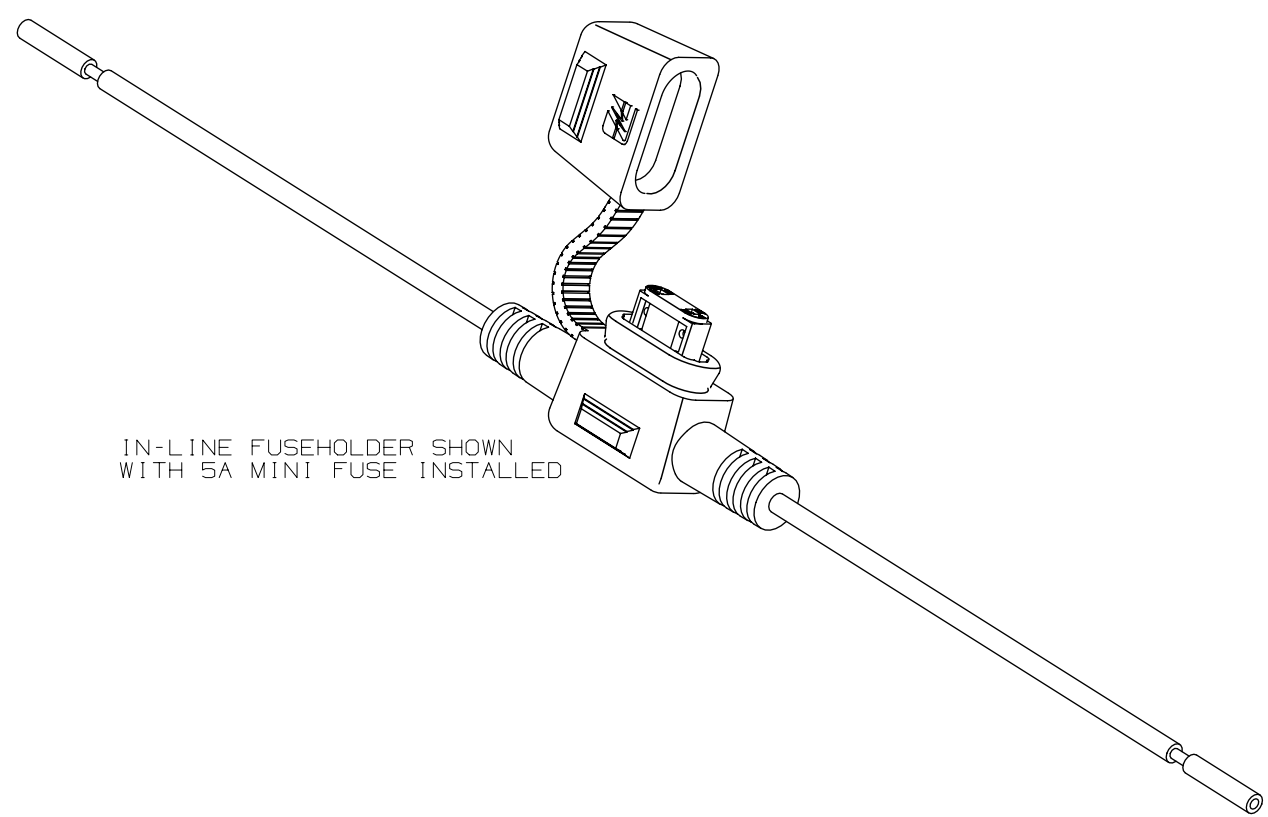
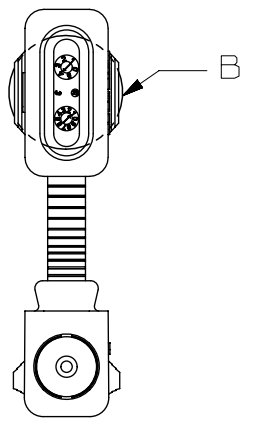
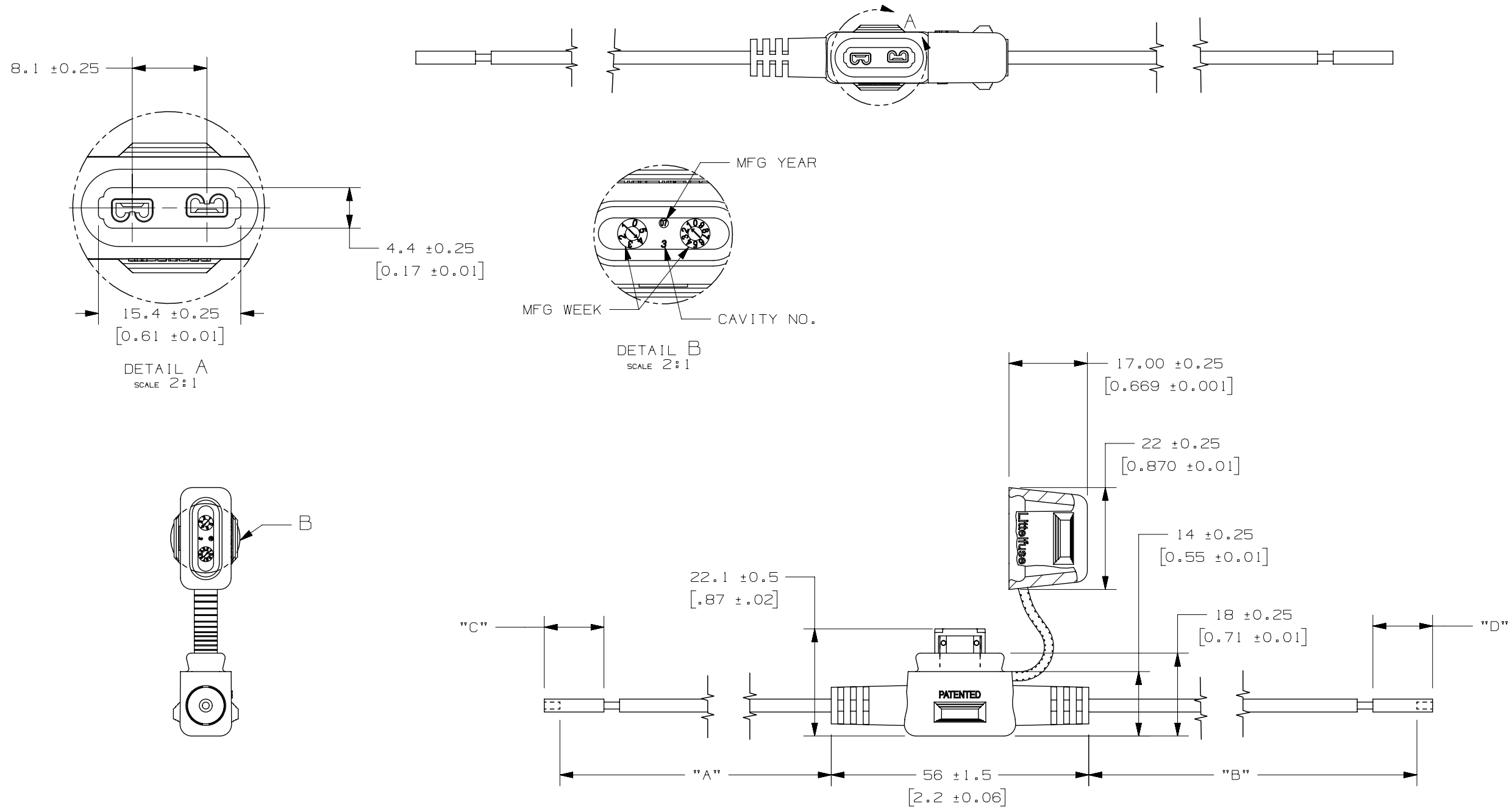


PART NUMBER	"A"	"B"	"C"	"D"	LEAD "A" COLOR	LEAD "B" COLOR	LEAD "A" SIZE	LEAD "B" SIZE	LEAD "A" STRIP	LEAD "B" STRIP	INSULATION TYPE
OFHMO003ZXJT-F5	70±5 [2.76±0.20]	165.5±5 [6.52±0.20]	NO STRIP	NO STRIP	BLACK	BLACK	18 AWG	18 AWG	N/A	N/A	TXL

LTR	DATE	REVISION	CHK	APD
A	28/Jan/16	515497GCA - NEW RELEASE	FYUE	
B	18/May/16	515902ECA-CANCEL WIRE END STRIP	FYUE	
C	14/Feb/17	517136ECC-ADD FUSE ASSEMBLY DIMENSION	FYUE	



- NOTES:
- HOLDER MATERIAL: BLACK TPV
 - CONTACTS: COPPER ALLOY; TIN-PLATED
 - WIRE: STRANDED COPPER, 125°C RATED, 18AWG TXL WIRE
 - CRIMP: MUST MEET SAE/USCAR 21 STANDARD
 - FUSE RATING: 5A, 32Vdc
 - FUSEHOLDERS SHOULD NOT BE PLACED UNDER TENSION IN FINAL APPLICATION
 - MAX TEMPERATURE 125°C
 - THE HOLDER IS SHIPPED WITH COVER CLOSED

UNLESS OTHERWISE SPECIFIED, DIMENSIONS ARE IN MILLIMETERS. DIMENSIONS IN BRACKETS [] ARE INCHES			
UNLESS OTHERWISE SPECIFIED, DIMENSIONS DO NOT INCLUDE PLATING.			
⊙	DENOTES CRITICAL CHARACTERISTICS.		
CPK	DENOTES CPK DIMENSIONS, -MINIMUM CPK VALUE		
ST	DENOTES A CHARACTERISTIC THAT PROVIDES AN INDICATION OF PROCESS PERFORMANCE. PROCEDURE FOR MEASUREMENT AND TRACKING TO BE DEFINED IN LITTELFUSE INSPECTION INSTRUCTIONS		
CP	DENOTES CP DIMENSIONS, -MINIMUM CP VALUE MUST BE WITHIN THE DIMENSIONAL LIMITATIONS SHOWN ON DRAWING AND INITIALLY LOCATED TO ALLOW FOR MAXIMUM TOOL LIFE		
COPIES TO	MATERIAL SPEC SEE NOTES		
1 9 18	FINISH SEE NOTES		
2 10 19	SCALE 1:1		
3 12 20	DRW	DATE	28/Jan/16
4 13 21	FYUE	DATE	28/Jan/16
5 14 23	CHK	DATE	SUPER DR
6 15 33	APPD	DATE	FINISH GOOD WT
7 16 43	GRAMS/PIECE		
8 17 53			
TOLERANCE UNLESS OTHERWISE SPECIFIED ONE PLACE DEC +/- .3 THREE PLACE DEC +/- .100 TWO PLACE DEC +/- .15 ANGULAR +/- 1°			
3RD ANGLE PROJECTION	TITLE MINI IN-LINE FUSEHOLDER WITH 5A FUSE		
Littelfuse	REVISION	DRWG. NO.	OUTLINE
DES PLAINES, ILLINOIS 60016	C	OFHMO003ZXJT-F5	

METRIC

CAD GENERATED DRAWING - NO PENCIL CHANGES ALLOWED