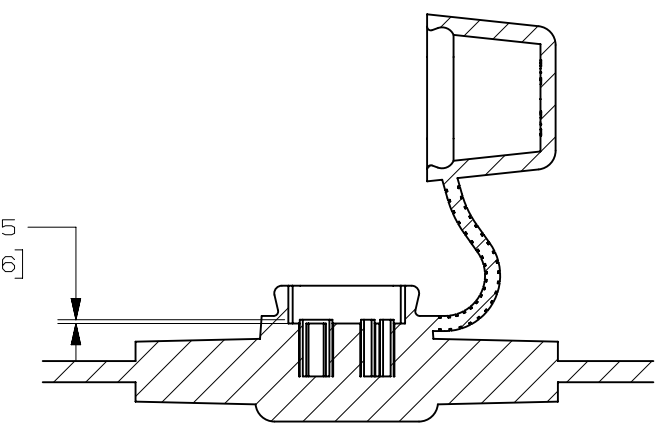
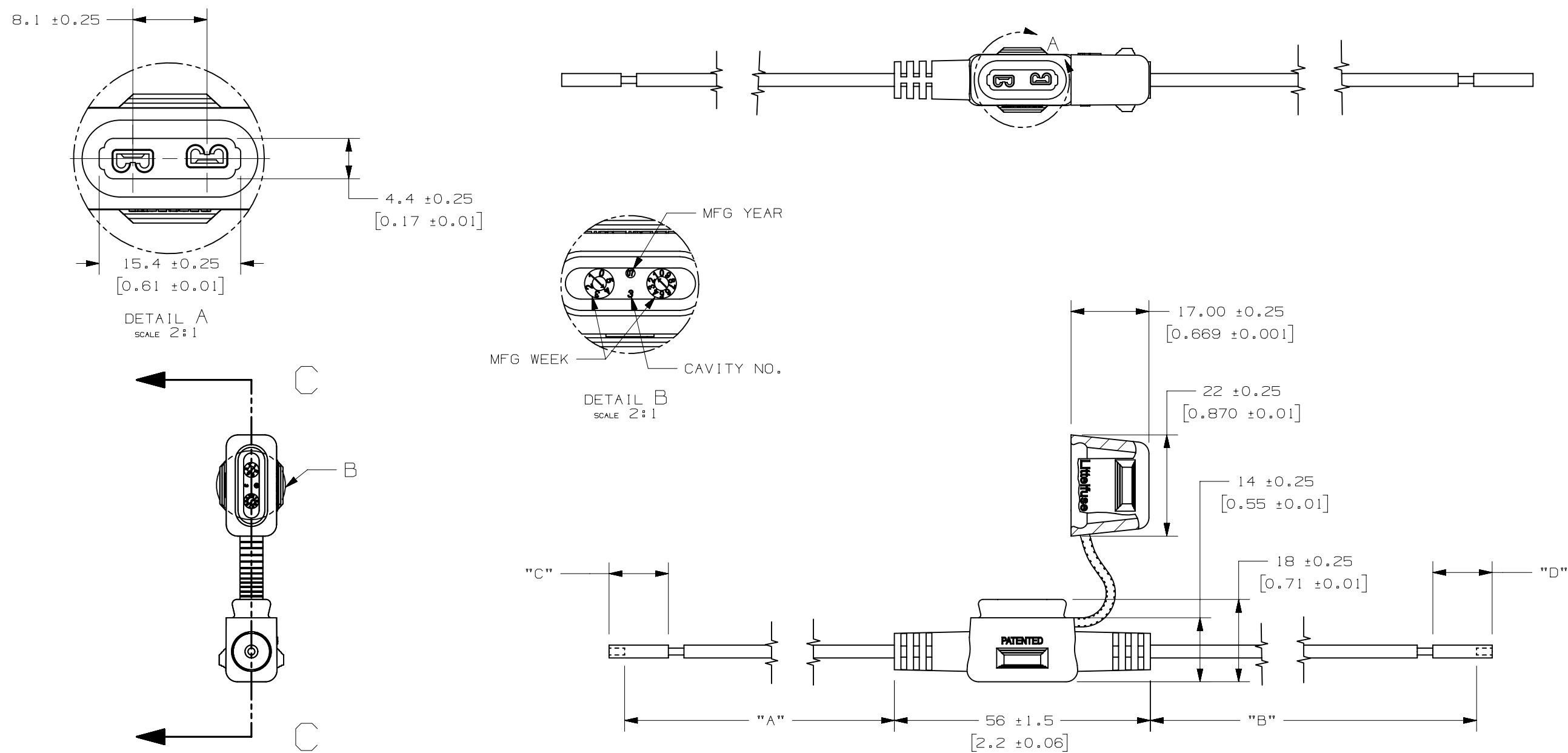


PART NUMBER	"A"	"B"	"C"	"D"	LEAD "A" COLOR	LEAD "B" COLOR	LEAD "A" SIZE	LEAD "B" SIZE	LEAD "A" STRIP	LEAD "B" STRIP	INSULATION TYPE
OFHM0003ZXJA	276.8±5 [10.90±0.2]	276.8±5 [10.90±0.2]	12.7±2 [.50±0.08]	12.7±2 [.50±0.08]	BROWN	BROWN	16 AWG	16 AWG	PARTIAL	PARTIAL	GXL
OFHM0003ZXJB	93.41±5 [3.68±0.2]	93.41±5 [3.68±0.2]	6.35±2 [.25±0.08]	6.35±2 [.25±0.08]	BLACK	BLACK	16 AWG	16 AWG	PARTIAL	PARTIAL	GXL
OFHM0003ZXJC	322.04±5 [12.68±0.2]	72.01±5 [2.84±0.2]	12.7±2 [.50±0.08]	6.35±2 [.25±0.08]	BLACK	BLACK	16 AWG	16 AWG	PARTIAL	PARTIAL	GXL
OFHM0003ZXJD	93.41±5 [3.68±0.2]	93.41±5 [3.68±0.2]	6.35±2 [.25±0.08]	6.35±2 [.25±0.08]	RED	RED	16 AWG	16 AWG	PARTIAL	PARTIAL	GXL
OFHM0003ZXJE	210.0±5 [8.27±0.2]	165.0±5 [6.50±0.2]	5.6±.5 [.22±0.02]	15.7±2 [.62±0.08]	ORANGE/BLACK STRIPE	RED	16 AWG	14 AWG	PARTIAL	PARTIAL	GXL
OFHM0003ZXJF	280.0±5 [11.02±0.2]	85.0±5 [3.35±0.2]	5.6±.5 [.22±0.02]	15.7±2 [.62±0.08]	ORANGE/WHITE STRIPE	RED	16 AWG	14 AWG	PARTIAL	PARTIAL	GXL
OFHM0003ZXJG	93.4±5 [3.68±0.2]	93.4±5 [3.68±0.2]	0 (NO STRIP)	0 (NO STRIP)	BLACK	BLACK	16 AWG	16 AWG	N/A	N/A	TXL
OFHM0003ZXJH	276.8±5 [10.90±0.2]	276.8±5 [10.90±0.2]	12.7±2 [.50±0.08]	12.7±2 [.50±0.08]	ORANGE	ORANGE	16 AWG	16 AWG	PARTIAL	PARTIAL	GXL
OFHM0003ZXJJ	150.0±5 [5.91±0.2]	1000.0±10 [39.37±0.4]	0 (NO STRIP)	0 (NO STRIP)	RED	BLACK	10 AWG	16 AWG	N/A	N/A	GXL
OFHM0003ZXJK	121.4±5 [4.78±0.2]	121.4±5 [4.78±0.2]	6.35±2 [.25±0.08]	6.35±2 [.25±0.08]	RED	RED	10 AWG	10 AWG	PARTIAL	PARTIAL	GXL
OFHM0003ZXJN	680±5 [26.77±0.2]	93.41±5 [3.68±0.2]	6.35±2 [.25±0.08]	6.35±2 [.25±0.08]	BLACK	BLACK	16 AWG	16 AWG	PARTIAL	PARTIAL	GXL
OFHM0003ZXJP	94±3 [3.70±0.12]	94±3 [3.70±0.12]	5.5±0.3 [.22±0.01]	5.5±0.3 [.22±0.01]	BLACK	BLACK	18 AWG	18 AWG	PARTIAL	PARTIAL	TXL
OFHM0003ZXJR	93.41±5 [3.68±0.2]	93.41±5 [3.68±0.2]	15.00±2 [.59±0.08]	15.00±2 [.59±0.08]	BLACK	BLACK	16 AWG	16 AWG	PARTIAL	PARTIAL	GXL
OFHM0003ZXJV	450±5 [17.72±0.2]	450±5 [17.72±0.2]	5.5±2 [.22±0.08]	5.5±2 [.22±0.08]	BLACK	BLACK	18 AWG	18 AWG	PARTIAL	PARTIAL	TXL

LTR	DATE	REVISION	CHK	APD
A	11/12/07	000213ER - RELEASE GMB		
B	11/28/07	000221ER-RELEASE OFHM0003ZXJB & OFHM0003ZXJC GMB		
C	12/04/07	000232ER-RELEASE OFHM0003ZXJD GMB		
D	01/25/08	000287ER-RELEASE OFHM0003ZXJE & OFHM0003ZXJF GMB		
E	03/04/08	000527EC/C-CHG. TOL. IN COLUMN "C" FOR XJE & XJF. ADDED LEAD "A" STRIP COLUMN & LEAD "B" STRIP COLUMN GMB		
F	04/07/08	000556EC/C-OFHM003.ZXJE CHG LEAD COLOR FROM ORANGE/BLACK TO ORANGE/WHITE & FULL TO PARTIAL OFHM003.ZXJF CHG LEAD COLOR FROM ORANGE/WHITE TO ORANGE/BLACK FULL TO PARTIAL GMB		
G	06/04/08	000684EC/C-OFHM0003ZXJE CHG. "A" FROM 280.0 TO 210.0, "B" FROM 85.0 TO 165.0, LEAD "A" FROM ORANGE/WHITE TO ORANGE/BLACK, OFHM0003ZXJF CHG. "A" FROM 210.0 TO 280.0, "B" FROM 165.0 TO 85.0, LEAD "A" FROM ORANGE/BLACK TO ORANGE/WHITE. GMB		
H	08/18/08	000479ER-ADDED OFHM0003ZXJG & INSULATION TYPE GMB		
J	09/10/08	000810EC/D-CHG DIM "A" AND "B" FROM 93.0±3 TO 93.4±5 AND LEAD "A" & LEAD "B" FROM PARTIAL TO N/A. GMB		
K	11/03/09	000837ER-RELEASE OFHM0003ZXJH GMB		
L	11/15/11	503692ERA-RELEASE OFHM0003ZXJJ OPL		
M	06/21/12	505291ERA-RELEASE OFHM0003ZXJK FYUE		
N	11/28/12	506774ERA-RELEASE OFHM0003ZXJN FYUE		
P	05/21/13	508295ERA-RELEASE OFHM0003ZXJP FYUE		
R	11/18/14	511277ECA-CHANGE OFHM0003ZXJP STRIP DIMENSION FYUE		
S	12/29/14	511398ECA-CHANGE OFHM0003ZXJP LEAD LENGTH TOLERANCE FYUE		
T	01/16/15	511427ERA-RELEASE OFHM0003ZXJR FYUE		
U	23/Dec/15	515362ECA-ADD NEW SECTION FYUE		
V	25/Sep/18	519894GCC-RELEASE OFHM0003ZXJV FYUE		



UNLESS OTHERWISE SPECIFIED, DIMENSIONS ARE IN MILLIMETERS. DIMENSIONS IN BRACKETS [] ARE INCHES			
UNLESS OTHERWISE SPECIFIED, DIMENSIONS DO NOT INCLUDE PLATING.			
⊙	DENOTES CRITICAL CHARACTERISTICS.		
CPK	DENOTES CPK DIMENSIONS, -MINIMUM CPK VALUE		
ST	DENOTES A CHARACTERISTIC THAT PROVIDES AN INDICATION OF PROCESS PERFORMANCE. PROCEDURE FOR MEASUREMENT AND TRACKING TO BE DEFINED IN LITTELFUSE INSPECTION INSTRUCTIONS		
CP	DENOTES CP DIMENSIONS, -MINIMUM CP VALUE MUST BE WITHIN THE DIMENSIONAL LIMITATIONS SHOWN ON DRAWING AND INITIALLY LOCATED TO ALLOW FOR MAXIMUM TOOL LIFE		
COPIES TO	MATL SPEC	SEE NOTES	
1 9 18	FINISH	SEE NOTES	
2 10 19	DRW	GMB	DATE 11/12/07 SCALE 1:1
3 12 20	CHK		DATE SUPER DR
4 13 21	APPD		DATE FINISH GOOD WT
5 14 23			GRAMS/PIECE
6 15 33	TOLERANCE UNLESS OTHERWISE SPECIFIED		
7 16 43	ONE PLACE DEC +/- .3 THREE PLACE DEC +/- .100		
8 17 53	TWO PLACE DEC +/- .15 ANGULAR +/- 1°		
3RD ANGLE PROJECTION	TITLE	MINI IN-LINE FUSEHOLDER	
Littelfuse	REVISION	DRWG. NO.	SERIES OUTLINE
DES PLAINES, ILLINOIS 60016	V	01-OFHM0003ZXJ	

IN-LINE FUSEHOLDER SHOWN WITH MINI FUSE INSTALLED (NOT INCLUDED)

- NOTES:
- HOLDER MATERIAL: BLACK TPV
 - CONTACTS: C194 COPPER ALLOY: TIN-PLATED
 - WIRE: STRANDED COPPER, 125°C RATED, GXL/TXL WIRE (SEE CHART FOR WIRE SIZE)
 - CRIMP: MUST MEET SAE/USCAR 21 STANDARD
 - RATING: MAX. 20A, 32Vdc (MAX. 10A FOR OFHM0003ZXJP/V)
 - FUSEHOLDERS SHOULD NOT BE PLACED UNDER TENSION IN FINAL APPLICATION
 - MAX TEMPERATURE 125°C

METRIC

CAD GENERATED DRAWING - NO PENCIL CHANGES ALLOWED