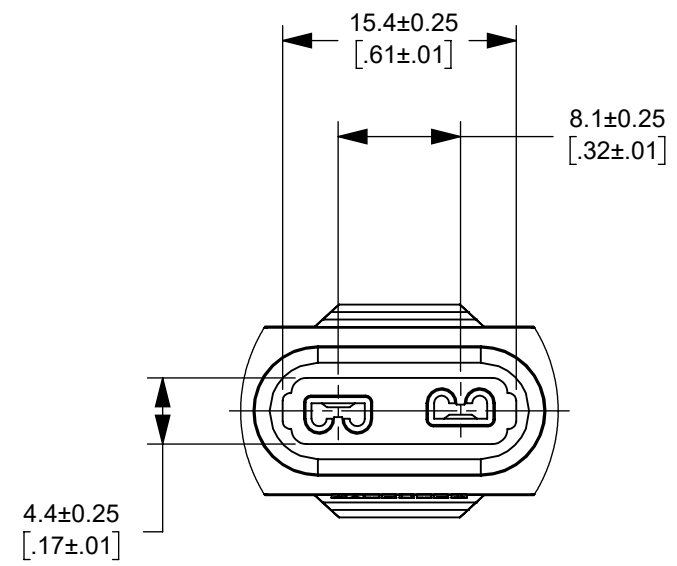


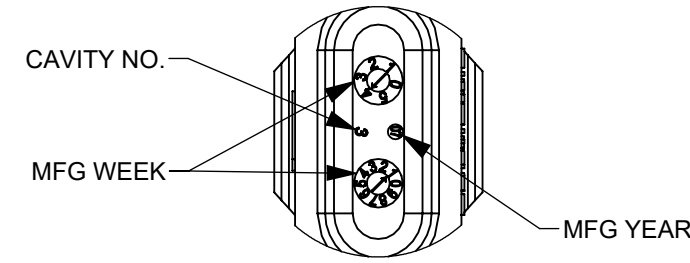
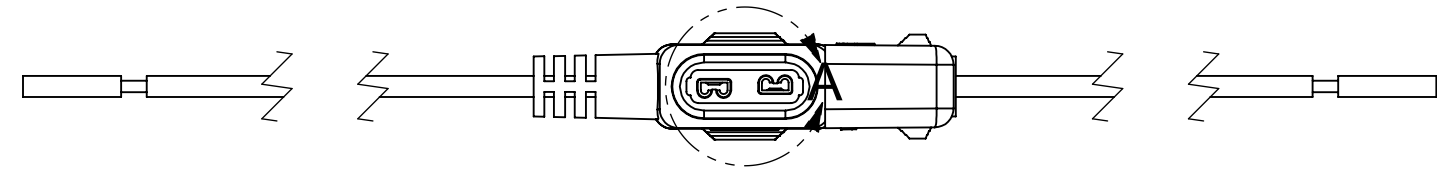
THIS DRAWING AND THE INFORMATION CONTAINED WITHIN IT ARE CONFIDENTIAL AND MAY NOT BE COPIED OR DISCLOSED WITHOUT THE WRITTEN PERMISSION OF LITTELFUSE.

PART NUMBER	"A"	"B"	"C"	"D"	LEAD "A" COLOR	LEAD "B" COLOR	LEAD "A" SIZE	LEAD "B" SIZE	LEAD "A" STRIP	LEAD "B" STRIP	INSULATION TYPE
0FHM0003UXJJ	615.0±5 [24.21±0.2]	85.0±5 [3.35±0.2]	5.6±0.5 [.22±0.02]	15.7±2 [.62±0.08]	ORANGE	RED	16 AWG	14 AWG	PARTIAL	PARTIAL	GXL
0FHM0003UXJK	540.0±5 [21.3±0.2]	165.0±5 [6.50±0.2]	5.6±0.5 [.22±0.02]	15.7±2 [.62±0.08]	ORANGE	RED	16 AWG	14 AWG	PARTIAL	PARTIAL	GXL

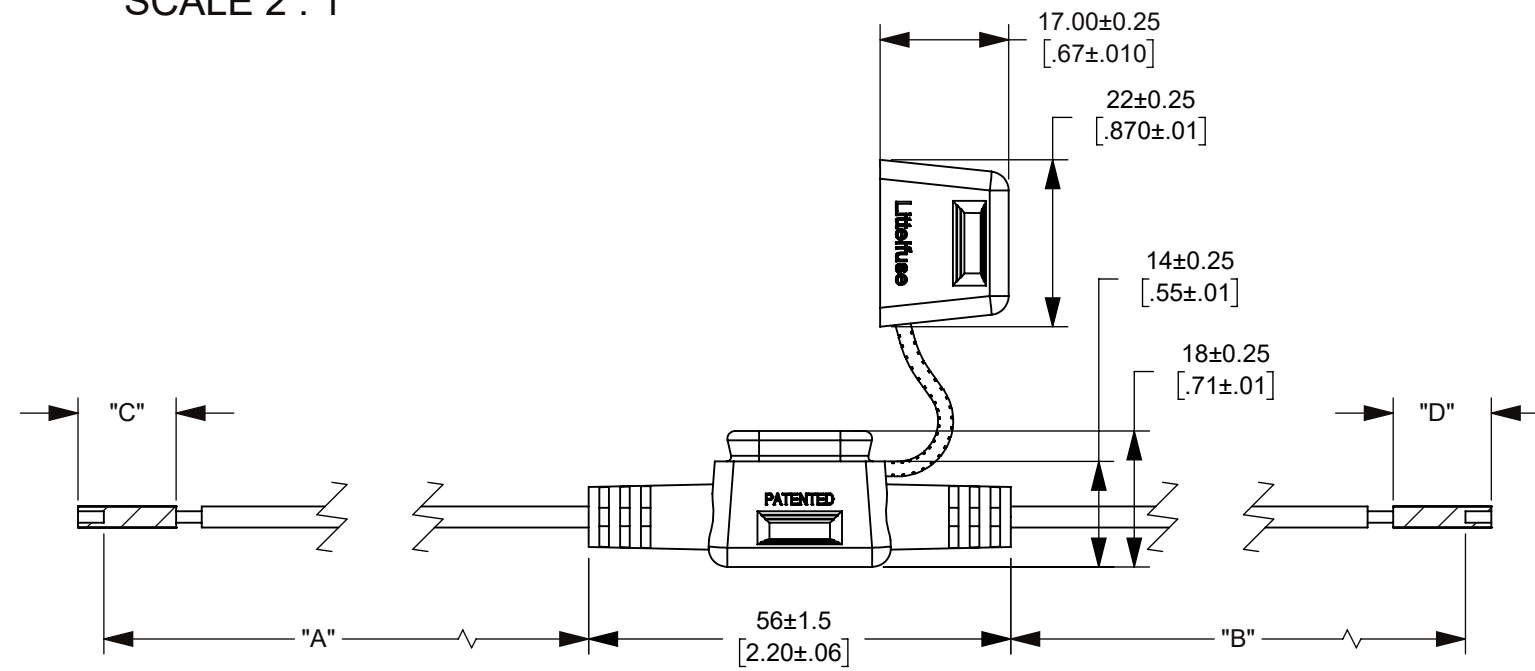
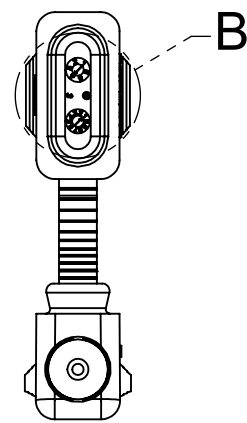
REVISIONS				
ZONE	REV.	DESCRIPTION	DATE	APPROVED
	C	503925ECA-SEE ECO GMB	12/14/2011	
	D	511837ECA-REMOVE MODEL NAME OF HOLDER MATERIAL FYUE	4/30/2015	
	E	519463ECC-CHANGE WIRE COLOR FYUE	9/13/2018	
	F	520519ECC-CHANGE WIRE COLOR FYUE	7/11/2019	
	G	ECR522038 - UPDATED VOLTAGE RATING TO 58V, REMOVED NOTE B, NEW TITLE BLOCK FORMAT S.CASTILLO/D.SILVA	3/11/2022	L.ARGIL



DETAIL A
SCALE 2 : 1



DETAIL B
SCALE 2 : 1



NOTES: (UNLESS OTHERWISE SPECIFIED)

- NOTES:
 - HOLDER MATERIAL: BLACK TPV.
 - CONTACTS: COPPER ALLOY; TIN-PLATED.
 - WIRE: STRANDED COPPER, 125C RATED, GXL WIRE (SEE CHART FOR WIRE SIZE).
 - CRIMP: MUST MEET SAE/USCAR 21 STANDARD.
 - RATING: MAX. 20A, 58Vdc.
 - FUSEHOLDERS SHOULD NOT BE PLACED UNDER TENSION IN FINAL APPLICATION.

TOLERANCES UNLESS OTHERWISE SPECIFIED (REF. ISO 2768-mK)						
.5 to 3	>3 to 6	>6 to 30	>30 to 120	>120 to 400		ANGLE
±0.10	+0.10	+0.20	+0.30	+0.50		NONE

DIMENSIONS ARE SHOWN IN MILLIMETERS. DIMENSIONS AND TOLERANCES ARE DEFINED ACCORDING TO ANSIA/SME Y14.5-1994.

●	FTI/ FUNCTION CRITICAL CHARACTERISTICS
<S>	SAFETY/ COMPLIANCE CRITICAL CHARACTERISTICS SYMBOL
CPK	DENOTES CPK DIMENSIONS MINIMUM CPK VALUE
(ST)	DENOTES A CHARACTERISTIC THAT PROVIDES AN INDICATION OF PROCESS PERFORMANCE. PROCEDURE FOR MEASUREMENT AND TRACKING TO BE DEFINED IN LITTELFUSE INSPECTION INSTRUCTIONS
CP	DENOTES CP DIMENSIONS. -MINIMUM CP VALUE MUST BE WITHIN THE DIMENSIONAL LIMITATIONS SHOWN ON DRAWING AND INITIALLY LOCATED TO ALLOW FOR MAXIMUM TOOL LIFE

NAME	DATE
DRAWN: GMB	2/19/2010
CHECKED: -	-
-	-
-	-

FORM NO. CVP-PE40-0005 REV B
THIRD ANGLE PROJECTION

Littelfuse
Expertise Applied | Answers Delivered

TITLE: **MINI IN-LINE FUSEHOLDER**

SIZE: C DWG. NO.: OL-0FHM0003UXJ REV. G
DO NOT SCALE DRAWING SCALE 1:1 SHEET 1 OF 1

mm [in]