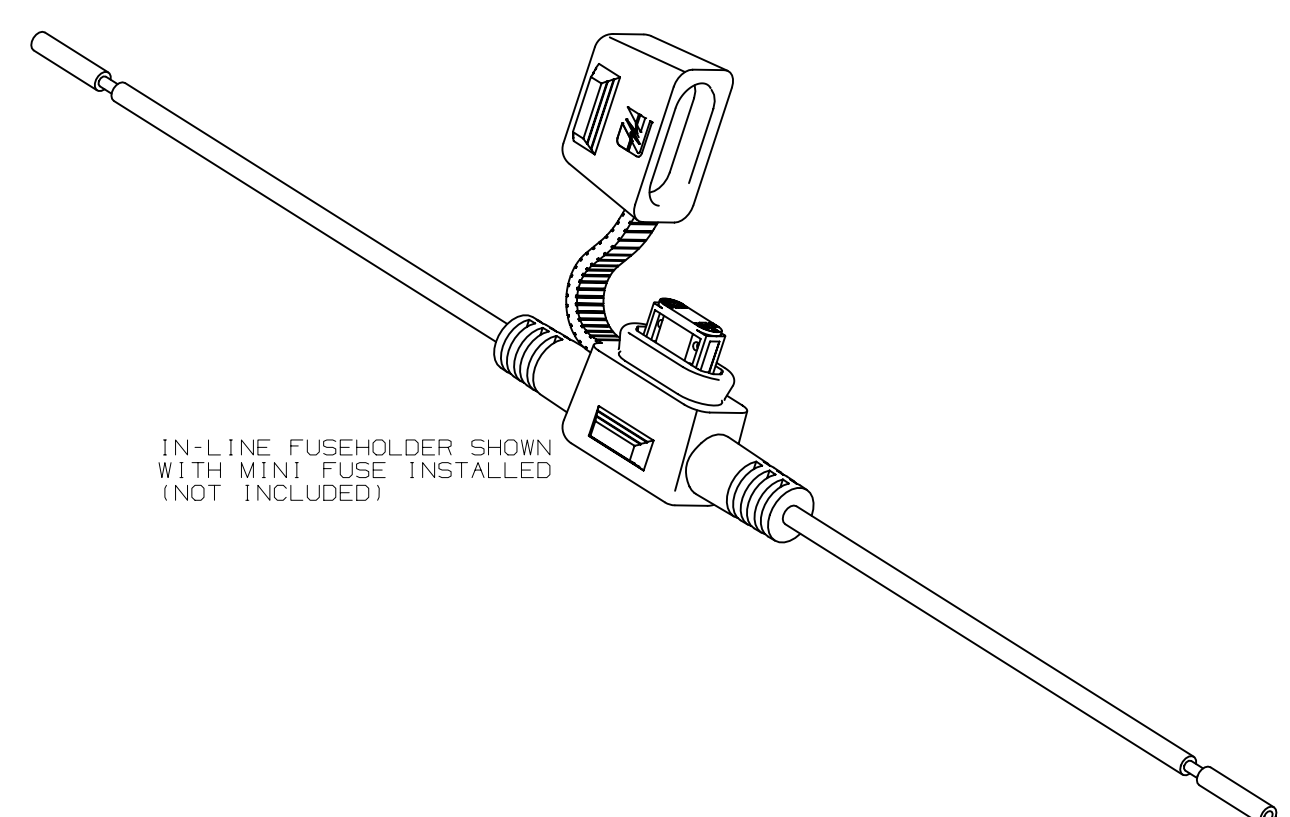
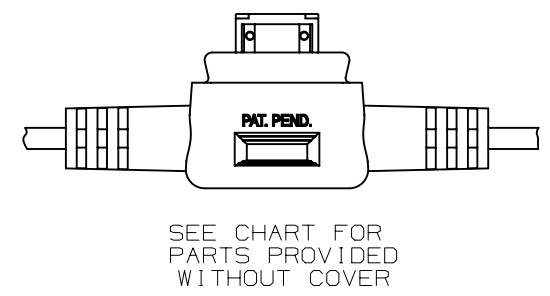
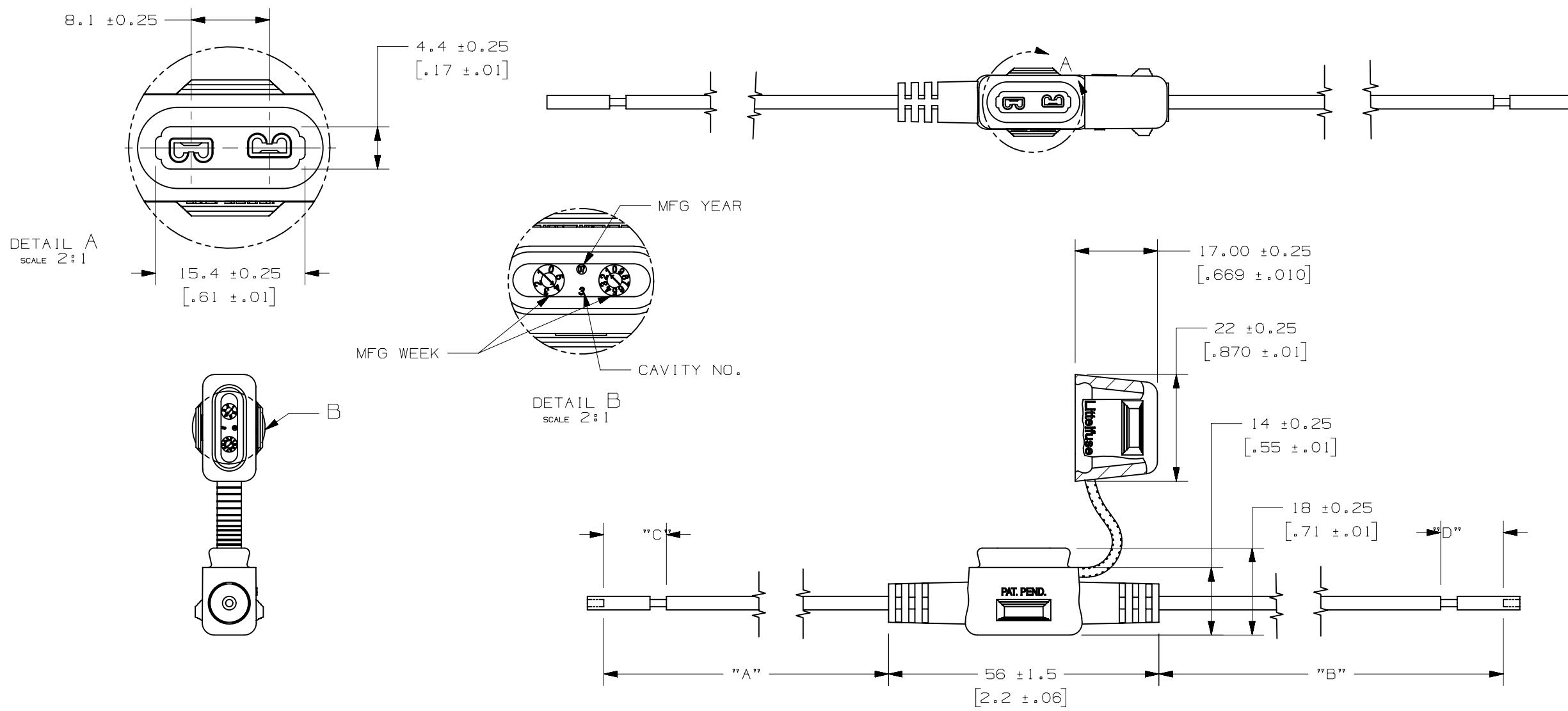


PART NUMBER	"A"	"B"	"C"	"D"	LEAD "A" COLOR	LEAD "B" COLOR	WITH COVER
OFHM0002ZXJ	94±5 [3.70±.2]	94±5 [3.70±.2]	13±2 [.51±.08]	13±2 [.51±.08]	ORANGE	ORANGE	YES
OFHM0002ZXJA	93.5±3 [3.681±.12]	93.5±3 [3.681±.12]	12±2 [.472±.08]	6±2 [.236±.08]	RED	ORANGE	YES
OFHM0002ZXJB	167±3 [6.575±.12]	167±3 [6.575±.12]	8±2 [.315±.08]	17±2 [.67±.08]	ORANGE	RED	YES
OFHM0002ZXJC	467±6.4 [18.386±.25]	127±3 [5.0±.12]	5.5±2 [.22±.08]	15.88±2 [.625±.08]	ORANGE	RED	YES
OFHM0002ZXJD	193.8±5 [7.236±.20]	183.8±5 [7.236±.20]	14.2±2 [.56±.08]	14.2±2 [.56±.08]	ORANGE	ORANGE	YES
OFHM0002ZXJE	203.14±5 [7.998±.20]	203.14±5 [7.998±.20]	N/A	N/A	ORANGE	ORANGE	NO
OFHM0002ZXJF	60±5 [2.362±.20]	60±5 [2.362±.20]	10±2 [.394±.08]	10±2 [.394±.08]	ORANGE	ORANGE	YES
OFHM0002ZXJG	110±5 [4.331±.20]	195±5 [7.677±.20]	10±2 [.394±.08]	17±2 [.669±.08]	ORANGE	RED	YES
OFHM0002ZXJH	82.5±5 [3.25±.20]	82.5±5 [3.25±.20]	6.35±2 [.25±.08]	6.35±2 [.25±.08]	GRAY	GRAY	YES
OFHM0002ZXJK	114.3±5 [4.5±.20]	114.3±5 [4.5±.20]	6.35±2 [.25±.08]	6.35±2 [.25±.08]	GRAY	GRAY	YES
OFHM0002ZXJL	93.5±3 [3.681±.12]	93.5±3 [3.681±.12]	12.2±2 [.48±.08]	12.2±2 [.48±.08]	RED	ORANGE	YES
OFHM0002ZXJM	94±5 [3.70±.2]	94±5 [3.70±.2]	10±2 [.394±.08]	6±2 [.236±.08]	ORANGE	ORANGE	YES
OFHM0002ZXJN	94±5 [3.70±.2]	94±5 [3.70±.2]	N/A	N/A	ORANGE	ORANGE	YES
OFHM0002ZXJP	94±5 [3.70±.2]	94±5 [3.70±.2]	6.30±2 [.25±.08]	6.30±2 [.25±.08]	ORANGE	ORANGE	YES
OFHM0002ZXJR	190.5±5 [7.50±.2]	60±5 [2.36±.2]	8±2 [.32±.08]	N/A	ORANGE	ORANGE	YES

LTR	DATE	REVISION	CHK	APD
A	03/29/07	63207 - RELEASE	BRK	
B	06/06/07	85498D - CHG TOL FROM ±1 TO ±1.5, CHG NOTE 6	BRK	
C	07/24/07	85549D - CHG TO CHARTED DRAWING, HOUSING HEIGHT TO 18.0 AND STRIP TOLERANCE TO ±2.	BRK	
D	08/15/07	000138ER - ADD OFHM0002ZXJA, OFHM0002ZXJB, AND OFHM0002ZXJC.	BRK	
E	11/02/07	000283EC - CHG. STRIP_TOL FOR ZXJA-ZXJC, CHG DIM "B" FOR ZXJC TO 127mm	GMB	
F	09/19/08	000498ER - RELEASE OFHM0002ZXJD AND OFHM0002ZXJE	GMB	
G	12/22/08	000562ER - RELEASE OFHM0002ZXJF	GMB	
H	03/10/09	000608ER - RELEASE OFHM0002ZXJG	GMB	
J	03/25/09	001066EC - CHG STRIP LENGTH FROM 6 TO 10 (DIM C & D)	GMB	
K	06/04/09	001132EC - ON OFHM0002ZXJG AND OFHM0002ZXJG-F10, CHG. 105±5 TO 110±5, 225±5 TO 195±5, AND 8±2 TO 10±2	GMB	
L	01/08/10	SAB9 - ADDED VIEW WITHOUT COVER ADDED COLUMN "WITH COVER"	GMB	
M	05/26/11	502465ERA - RELEASE OFHM0002ZXJH	RLDJ	
N	09/16/11	503221ERA - RELEASE OFHM0002ZXJK	RLDJ	
P	06/21/12	505292ERA - RELEASED OFHM0002ZXJL	FYUE	
R	03/02/15	511596ERA - RELEASED OFHM0002ZXJM	FYUE	
S	04/30/15	511837ECA - REMOVE MODEL NAME OF HOLDER MATERIAL	FYUE	
T	07/Sep/15	514860GCA - RELEASED OFHM0002ZXJN	FYUE	
U	15/Oct/15	515041GCA - RELEASED OFHM0002ZXJP	FYUE	
V	18/Oct/18	520282GCC - RELEASED OFHM0002ZXJR	FYUE	



- NOTES:
- HOLDER MATERIAL: BLACK TPV, UL 94V-0
 - CONTACTS: COPPER ALLOY: TIN-PLATED
 - WIRE: 12 AWG STRANDED COPPER, 125°C RATED, GXL WIRE
 - CRIMP: MUST MEET SAE/USCAR 21 STANDARD
 - RATING: MAX. 30A, 32Vdc
 - FUSEHOLDERS SHOULD NOT BE PLACED UNDER TENSION IN FINAL APPLICATION
 - MAX TEMPERATURE 125°C

UNLESS OTHERWISE SPECIFIED, DIMENSIONS ARE IN MILLIMETERS. DIMENSIONS IN BRACKETS [] ARE INCHES			
UNLESS OTHERWISE SPECIFIED, DIMENSIONS DO NOT INCLUDE PLATING.			
⊙	DENOTES CRITICAL CHARACTERISTICS.		
CPK	DENOTES CPK DIMENSIONS, -MINIMUM CPK VALUE		
ST	DENOTES A CHARACTERISTIC THAT PROVIDES AN INDICATION OF PROCESS PERFORMANCE. PROCEDURE FOR MEASUREMENT AND TRACKING TO BE DEFINED IN LITTELFUSE INSPECTION INSTRUCTIONS		
CP	DENOTES CP DIMENSIONS, -MINIMUM CP VALUE MUST BE WITHIN THE DIMENSIONAL LIMITATIONS SHOWN ON DRAWING AND INITIALLY LOCATED TO ALLOW FOR MAXIMUM TOOL LIFE		
COPIES TO	MATL SPEC	SEE NOTES	
1 9 18	FINISH	SEE NOTES	
2 10 19	DRW	BRK	DATE 03/29/07 SCALE 1:1
3 12 20	CHK	DATE	SUPER DR
4 13 21	APPD	DATE	FINSH GOOD WT
5 14 23			GRAMS/PIECE
6 15 33	TOLERANCE UNLESS OTHERWISE SPECIFIED		
7 16 43	ONE PLACE DEC	±.3	THREE PLACE DEC ±.100
8 17 53	TWO PLACE DEC	±.15	ANGULAR ±.1°
3RD ANGLE PROJECTION	TITLE	MINI IN-LINE FUSEHOLDER	
Littelfuse	REVISION	DRWG. NO.	OUTLINE
DES PLAINES, ILLINOIS 60016	V	01-OFHM0002ZXJ	

METRIC

CAD GENERATED DRAWING - NO PENCIL CHANGES ALLOWED