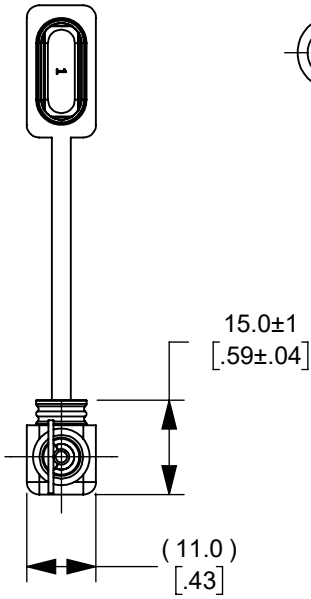
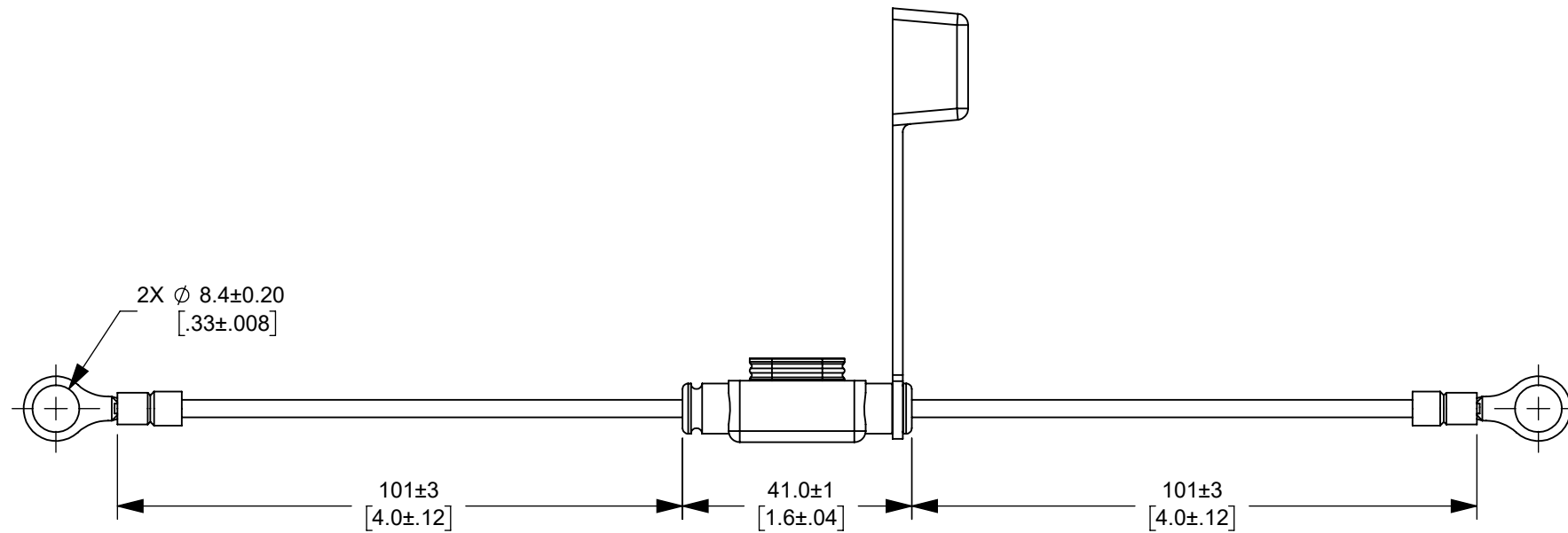
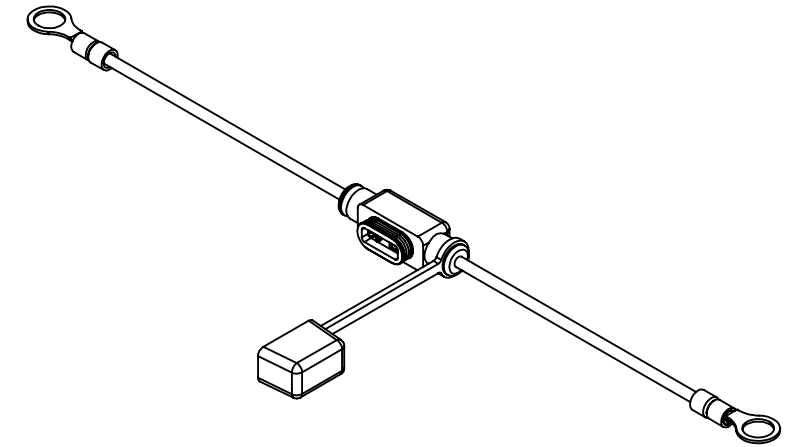
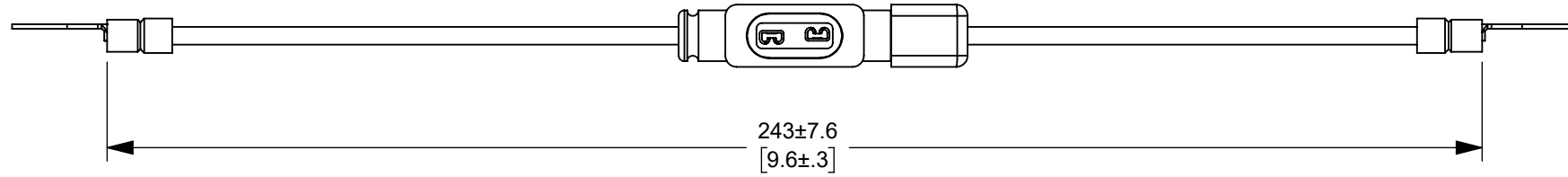


THIS DRAWING AND THE INFORMATION CONTAINED WITHIN IT ARE CONFIDENTIAL AND MAY NOT BE COPIED OR DISCLOSED WITHOUT THE WRITTEN PERMISSION OF LITTELFUSE.

REVISIONS				
ZONE	REV.	DESCRIPTION	DATE	APPROVED
	A	PCO #5300044. INITIAL RELEASED. DSILVA	4/21/2022	L.ARGIL



NOTES: (UNLESS OTHERWISE SPECIFIED)

- NOTES:
- #14 GXL WIRE LEADS NOM. O.D. .122 COLOR: RED.
- HOLDER AND COVER MATERIAL: BLACK PVC.
- CONTACTS: COPPER ALLOY.
- MAX. RATING: 20 AMPS, 58Vdc.

TOLERANCES UNLESS OTHERWISE SPECIFIED (REF. ISO 2768-FH)											
.5 to 3	>3 to 6	>6 to 30	>30 to 120	>120 to 400							ANGLE
±0.10	±0.10	±0.20	±0.30	±0.50							NONE

DIMENSIONS ARE SHOWN IN MILLIMETERS. DIMENSIONS AND TOLERANCES ARE DEFINED ACCORDING TO ANSI/ASME Y14.5-1994.

PER CHI-NPD20-0008 PROCEDURE	SYMBOL	DESCRIPTION
	●	FIT/ FUNCTION CRITICAL CHARACTERISTICS
	<S>	SAFETY/ COMPLIANCE CRITICAL CHARACTERISTICS SYMBOL
	CPK	DENOTES CPK DIMENSIONS MINIMUM CPK VALUE
	ST	DENOTES A CHARACTERISTIC THAT PROVIDES AN INDICATION OF PROCESS PERFORMANCE PROCEDURE FOR MEASUREMENT AND TRACKING TO BE DEFINED IN LITTELFUSE INSPECTION INSTRUCTIONS
	CP	DENOTES CP DIMENSIONS. -MINIMUM CP VALUE MUST BE WITHIN THE DIMENSIONAL LIMITATIONS SHOWN ON DRAWING AND INITIALLY LOCATED TO ALLOW FOR MAXIMUM TOOL LIFE

NAME	DATE	 Littelfuse Expertise Applied Answers Delivered	TITLE
DRAWN DSILVA	4/13/2022		
CHECKED -	-	THIRD ANGLE PROJECTION	SIZE B DWG. NO. OL-0FHM0001ZXJ-T
		DO NOT SCALE DRAWING	SCALE 1:1
			REV. A
			SHEET 1 OF 1

mm
[in]