

PART NUMBER	FIGURE	"A"	"B"	"C"	"D"	LEAD "A" COLOR	LEAD "B" COLOR	INSULATION TYPE	WIRE SIZE	RATING MARK	PKG QTY
OFHJ1001G	1	102.0±5.0	102.0±5.0	9.0±2.0	9.0±2.0	RED	RED	GXL (STANDARD)	10 AWG	40A	250
OFHJ1002G	1	102.0±5.0	102.0±5.0	9.0±2.0	9.0±2.0	RED	RED	GXL (STANDARD)	8 AWG	60A	250
OFHJ1002L	1	102.0±5.0	102.0±5.0	9.0±2.0	9.0±2.0	RED	RED	GXL (STANDARD)	8 AWG	60A	50
OFHJ2001G	2	102.0±5.0	102.0±5.0	9.0±2.0	9.0±2.0	RED	RED	GXL (STANDARD)	10 AWG	40A	250
OFHJ2002G	2	102.0±5.0	102.0±5.0	9.0±2.0	9.0±2.0	RED	RED	GXL (STANDARD)	8 AWG	60A	250
OFHJ2002L	2	102.0±5.0	102.0±5.0	9.0±2.0	9.0±2.0	RED	RED	GXL (STANDARD)	8 AWG	60A	50

- NOTES:
- HOLDER MATERIAL: BLACK TPV MATERIAL
 - CONTACTS: TIN-PLATED COPPER ALLOY
 - WIRE SIZE & LENGTH: SEE CHART
 - MAX TEMPERATURE: 125° C
 - RATING MARKING: SEE CHART
 - FUSE HOLDERS SHOULD NOT BE PLACED UNDER TENSION IN FINAL APPLICATION.
 - ALL PARTS PACKAGED BULK IN QTY SHOWN.

LTR	DATE	REVISION	CHK	APD
A	11/19/09	000847ER-RELEASED	CAD	
B	08/17/12	505869ECA-REMOVAL OF MOUNTING HOLE	DPL	
C	04/16/15	511793ECA-COMPILED ALL OFHJ HOLDERS ONTO ONE PRINT; ADDED PKG NOTES; ADDED BRACKET VERSION VIEWS; PRINT NAME CHANGED FROM OFHJ0000G TO OFHJ00000. FYUE		

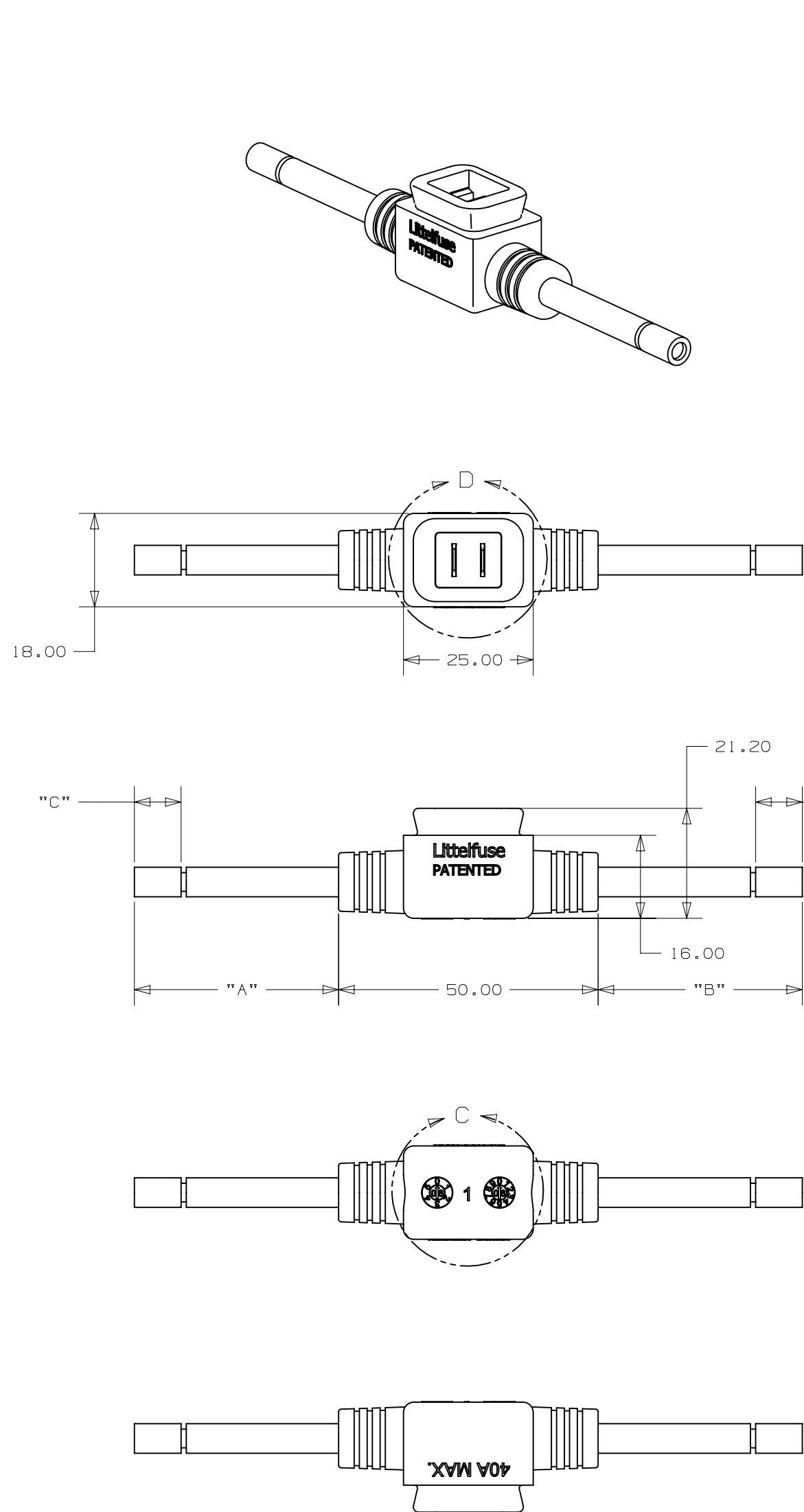


FIGURE 1. STANDARD HOLDER

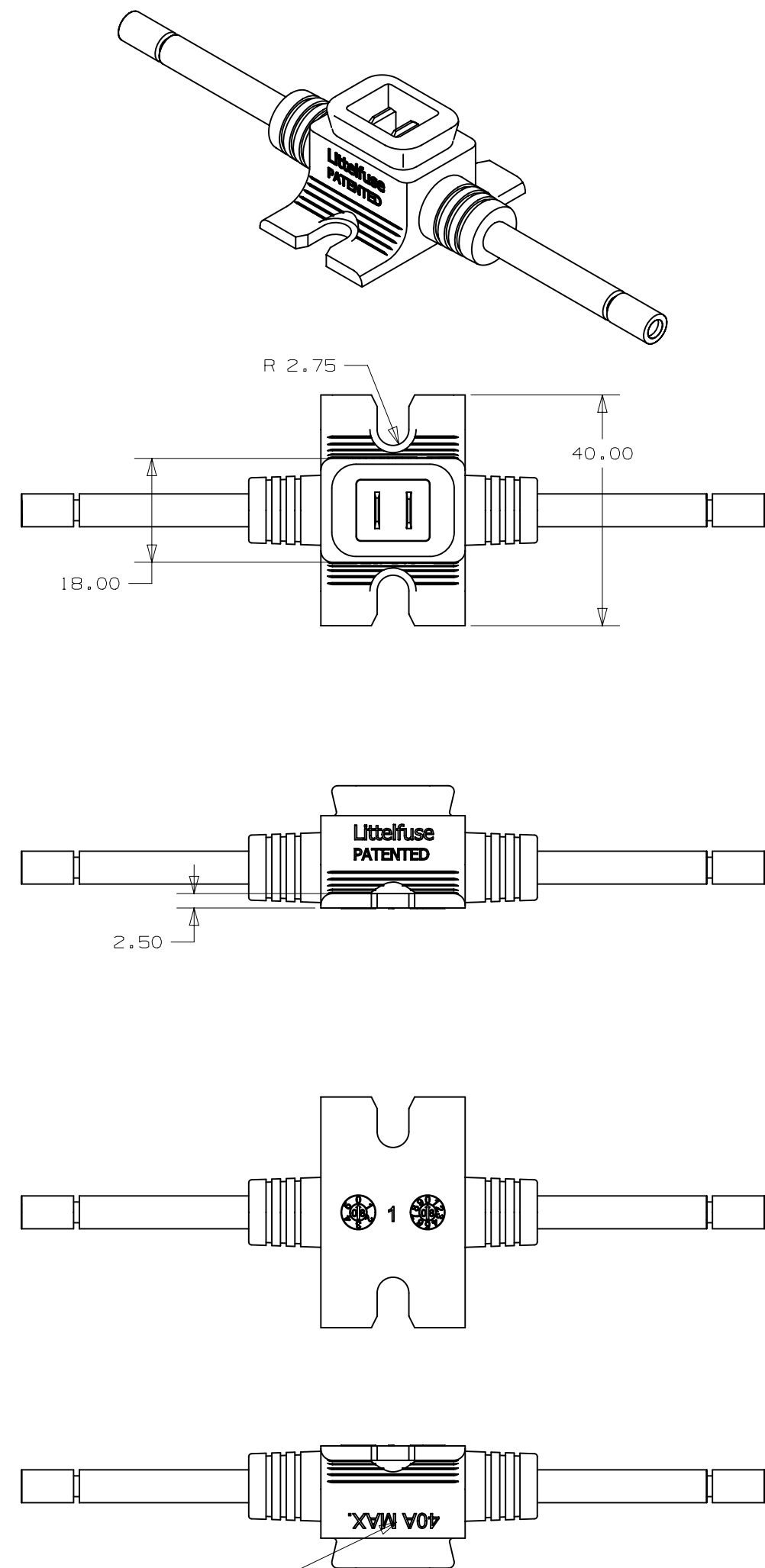
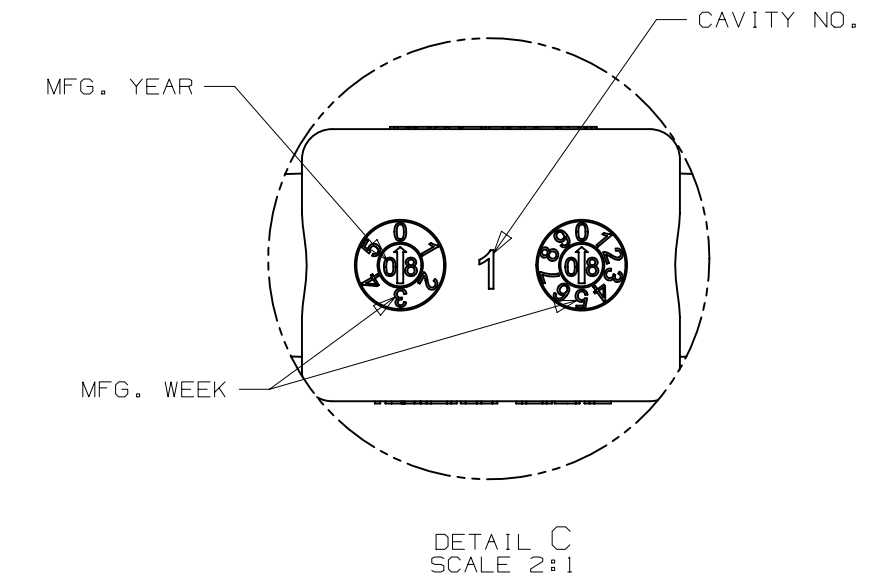
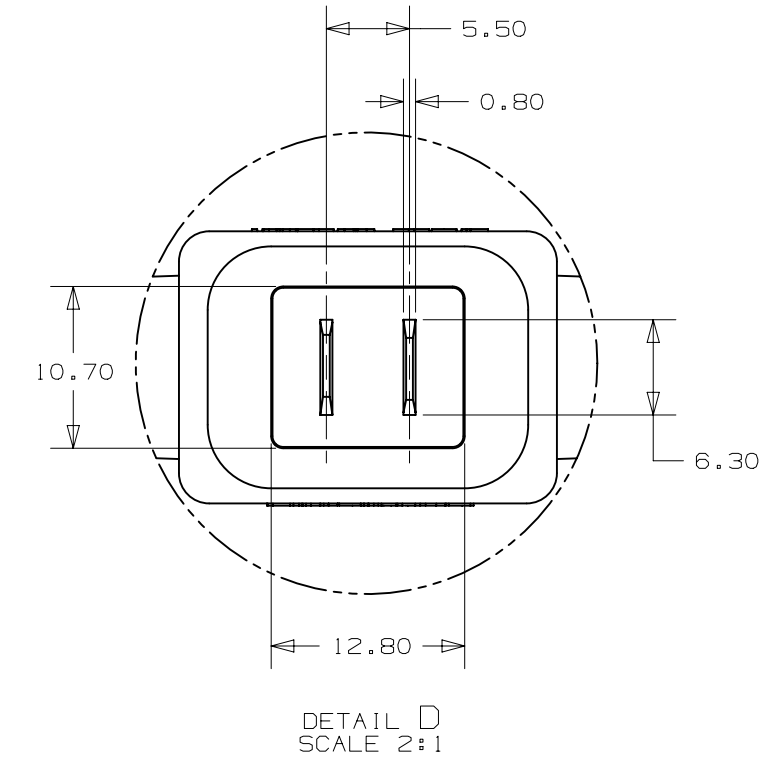


FIGURE 2. HOLDER WITH MOUNTING BRACKET



UNLESS OTHERWISE SPECIFIED, DIMENSIONS ARE IN MILLIMETERS. DIMENSIONS IN BRACKETS [] ARE INCHES.			
UNLESS OTHERWISE SPECIFIED, DIMENSIONS DO NOT INCLUDE PLATING.			
⊙	DENOTES CRITICAL CHARACTERISTICS.		
CPK	DENOTES CPK DIMENSIONS, -MINIMUM CPK VALUE		
ST	DENOTES A CHARACTERISTIC THAT PROVIDES AN INDICATION OF PROCESS PERFORMANCE. PROCEDURE FOR MEASUREMENT AND TRACKING TO BE DEFINED IN LITTELFUSE INSPECTION INSTRUCTIONS		
CP	DENOTES CP DIMENSIONS, -MINIMUM CP VALUE MUST BE WITHIN THE DIMENSIONAL LIMITATIONS SHOWN ON DRAWING AND INITIALLY LOCATED TO ALLOW FOR MAXIMUM TOOL LIFE		
COPIES TO		MATL SPEC	
1	9	18	
2	10	19	
3	12	20	
4	13	21	
5	14	23	
6	15	33	
7	16	43	
8	17	53	
FINISH			
DRW	CAD	DATE	11/19/09
SCALE	1:1		
CHK	DATE		SUPER DR
APPD	DATE		FINSH GOOD WT
TOLERANCES UNLESS OTHERWISE SPECIFIED (REF. ISO 2768-mK)		GRAMS/PIECE	
DIMENSION	0.5 - 3	3 - 6	6 - 30
TOLERANCE	+0.1	+0.2	+0.3
3RD ANGLE PROJECTION		TITLE	
		INLINE JCASE HOLDER WITHOUT COVER	
Littelfuse		REVISION	DRWG. NO.
DES PLAINES, ILLINOIS 60016		C	OL-OFHJ00000
		OUTLINE	

METRIC ASSEMBLY

CAD GENERATED DRAWING - NO PENCIL CHANGES ALLOWED