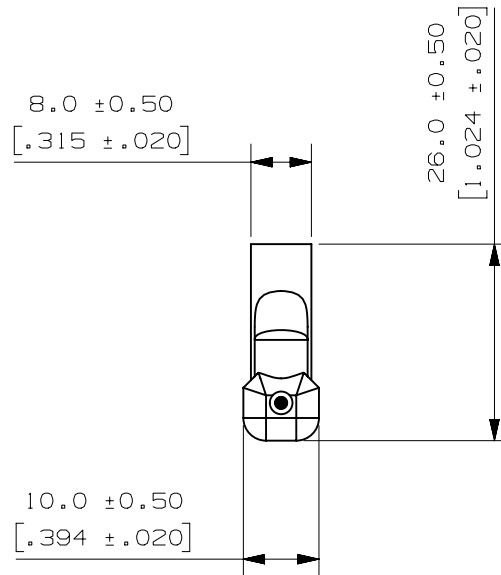
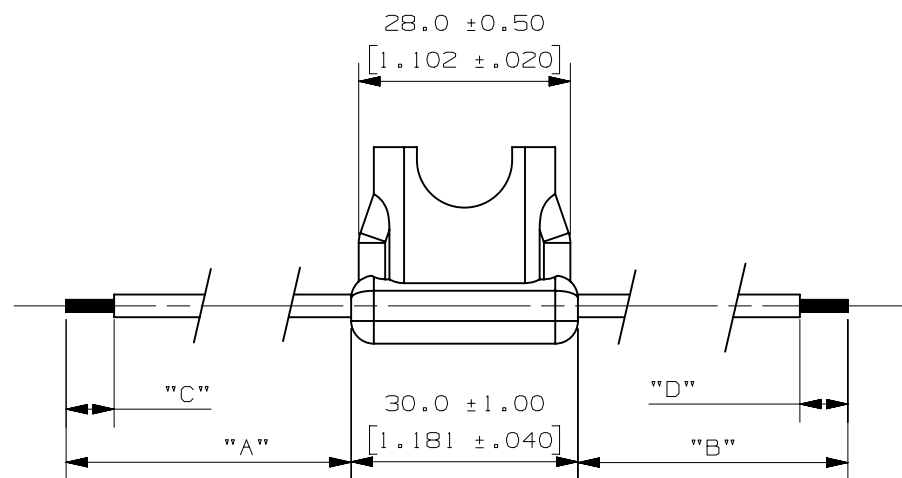
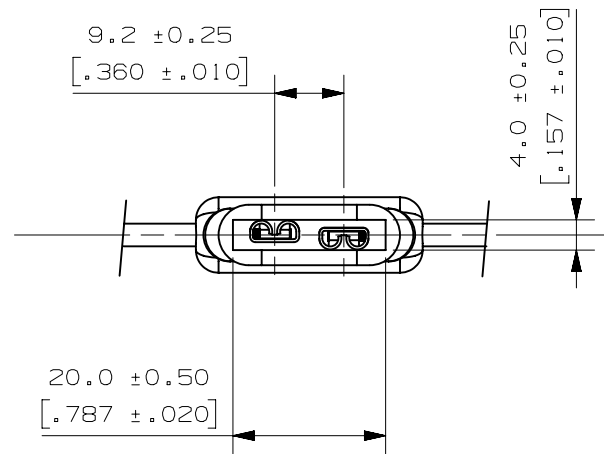


PART NUMBER	"A"	"B"	"C"	"D"	LEAD "A" COLOR	LEAD "B" COLOR	WIRE TYPE
OFHA0001ZXJ	101.6 +/- 5 (4.0)	101.6 +/- 5 (4.0)	6.35 +/- 2 (0.25)	6.35 +/- 2 (0.25)	BLACK	BLACK	16 AWG STRANDED COPPER 125C, GXL WIRE
OFHA0001ZXJA	177.8 +/- 5 (7.0)	177.8 +/- 5 (7.0)	6.35 +/- 2 (0.25)	6.35 +/- 2 (0.25)	RED	RED	16 AWG STRANDED COPPER 125C, GXL WIRE
OFHA0001ZXJB	101.6 +/- 5 (4.0)	101.6 +/- 5 (4.0)	13.0 +/- 2 (0.51)	13.0 +/- 2 (0.51)	BLACK	BLACK	16 AWG STRANDED COPPER 125C, GXL WIRE
OFHA0001ZXJD	101.6 +/- 5 (4.0)	101.6 +/- 5 (4.0)	NO STRIP	NO STRIP	BLACK	BLACK	16 AWG STRANDED COPPER 125C, GXL WIRE



METRIC  
ASSEMBLY

- NOTES:
- HOLDER MATERIAL : BLACK TPV.
  - CONTACTS : COPPER ALLOY, TIN PLATED.
  - WIRE : 16AWG STRANDED COPPER, 125 °C RATED, GXL WIRE
  - CRIMP : MUST MEET SAE/USCAR 21 STANDARD.
  - RATING : MAX. 20A, 32VDC.
  - MAX. TEMP. : 105 °C.
  - FUSEHOLDERS SHOULD NOT BE PLACED UNDER TENSION IN FINAL APPLICATION

NO	COMPONENT NO	DESCRIPTION	QTY/M	U/M
BILL OF MATERIAL				
UNLESS OTHERWISE SPECIFIED, DIMENSIONS ARE IN MILLIMETERS. DIMENSIONS IN BRACKETS [ ] ARE INCHES				
UNLESS OTHERWISE SPECIFIED, DIMENSIONS DO NOT INCLUDE PLATING.				
⊙		DENOTES CRITICAL CHARACTERISTICS.		
CPK		DENOTES CPK DIMENSIONS, -MINIMUM CPK VALUE		
ST		DENOTES A CHARACTERISTIC THAT PROVIDES AN INDICATION OF PROCESS PERFORMANCE. PROCEDURE FOR MEASUREMENT AND TRACKING TO BE DEFINED IN LITTELFUSE INSPECTION INSTRUCTIONS		
CP		DENOTES CP DIMENSIONS, -MINIMUM CP VALUE MUST BE WITHIN THE DIMENSIONAL LIMITATIONS SHOWN ON DRAWING AND INITIALLY LOCATED TO ALLOW FOR MAXIMUM TOOL LIFE		

COPIES TO		MTRL SPEC		REFER TO NOTES	
1	9				
2	10				
3	12				
4	13	DRW	7/19/10	SCALE	1:1
5	14	CHK		SUPER DR	
6	15	APPD		FINISH GOOD WT	
7	16				
8	17				
18					
19					
20					
21					
22					
23					
33					
43					
53					
TOLERANCES UNLESS OTHERWISE SPECIFIED (REF. ISO 2768-FH)					
DIMENSION	UP TO 0.5	OVER 0.5 - 3	UP TO 6	OVER 6 - 30	UP TO 120
TOLERANCE	+0.05	+0.05	+0.1	+0.15	+0.2
3RD ANGLE PROJECTION					
LITTELFUSE					
LIPA CITY, BATANGAS, PHILIPPINES					
TITLE		AUTOFUSE HOLDER			
IN-LINE					
REVISION		DRWG. NO.		OUTLINE	
D		OL-OFHA0001ZXJ			