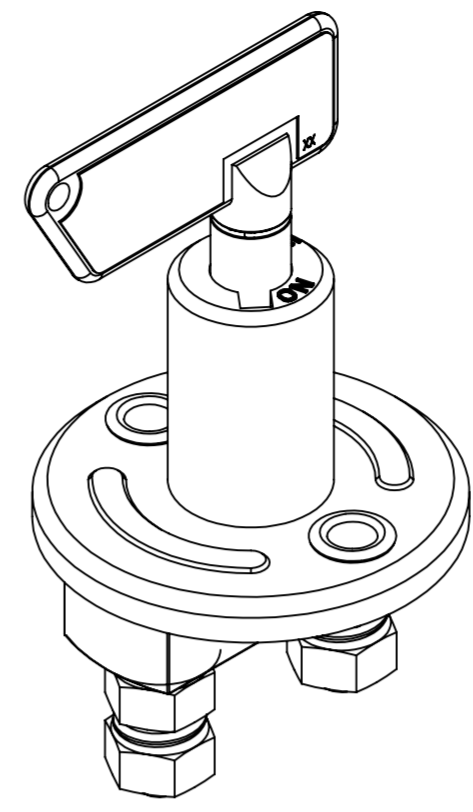
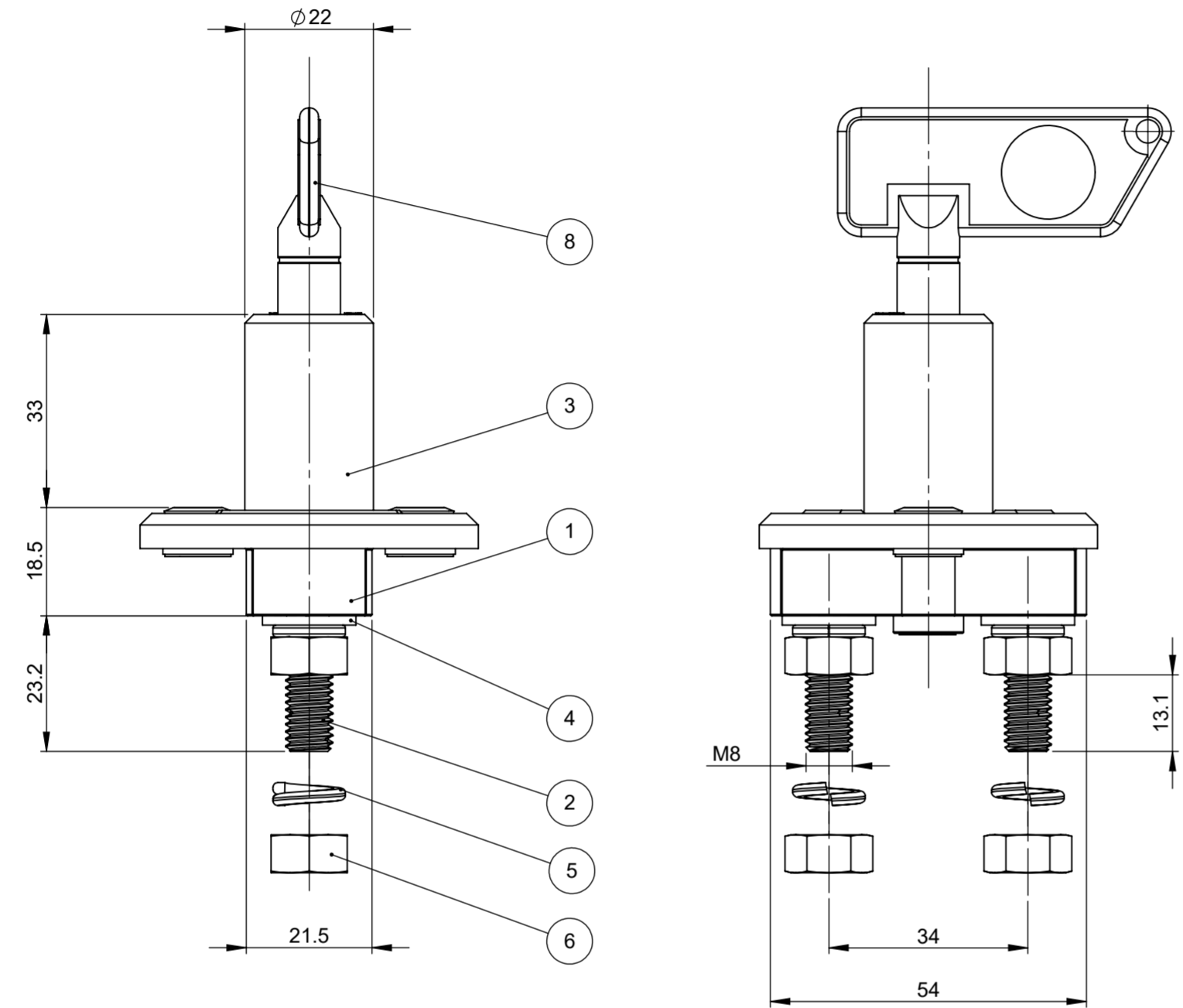


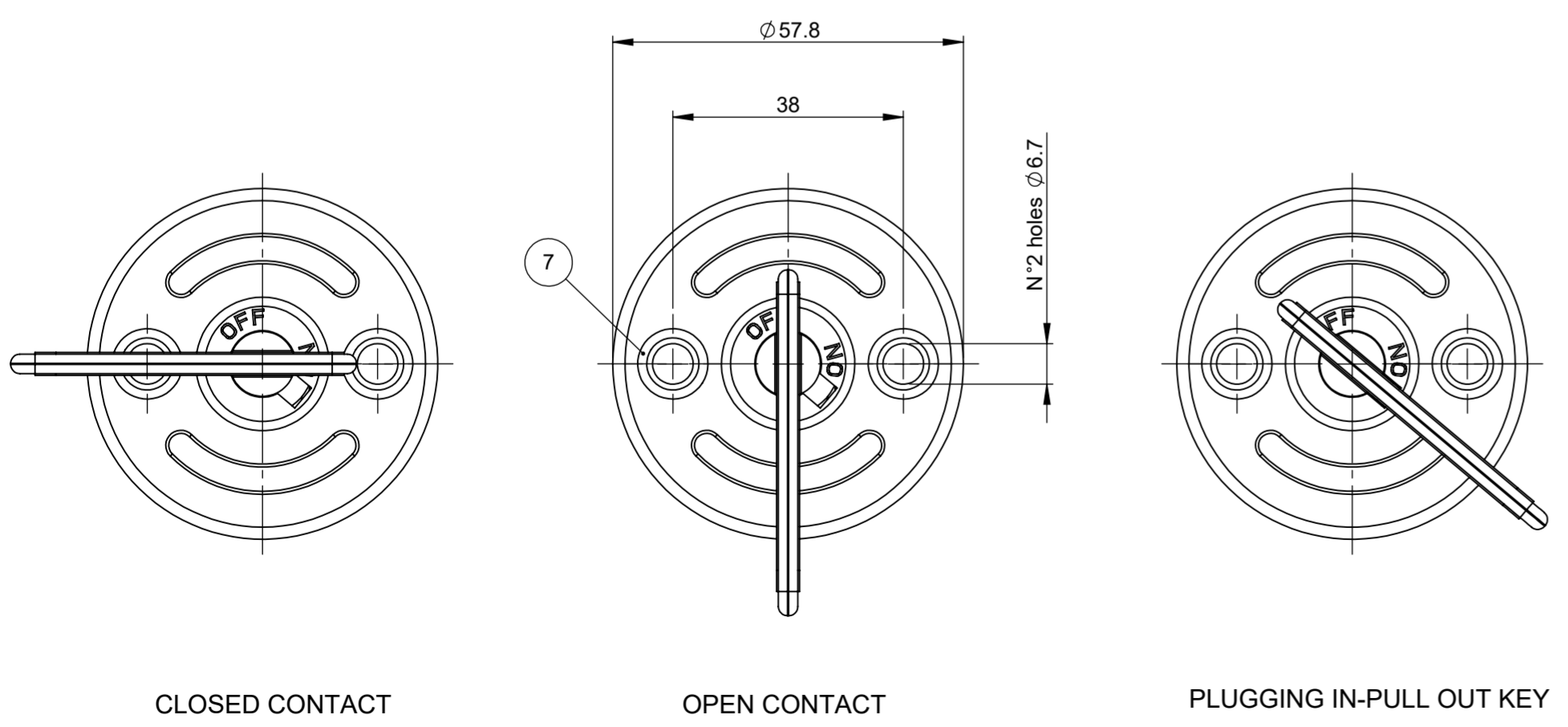
THIS DRAWING AND THE INFORMATION CONTAINED WITHIN IT ARE CONFIDENTIAL AND MAY NOT BE COPIED OR DISCLOSED WITHOUT THE WRITTEN PERMISSION OF LITTELFUSE.

REVISIONS				
REV.	DESCRIPTION	DATE	DESIGNED	APPROVED
A	First issue of outline drawing	22-May-20	L.Dal Molin	M.Tinto



SCALE 1:1

POS.	DESCRIPTION	MATERIAL	QTY.	U/M
8	Key no logo red complete		1	EA
7	Eyelet	Iron	2	EA
6	Nut M8	Brass	4	EA
5	Spring washer	Bronze	4	EA
4	Washer Te 8.4x16		2	EA
3	Upper body cam double	Polyamide	1	EA
2	Power stud	Copper	2	EA
1	Lower body cont.-holder hole	Polyamide	1	EA



CHARACTERISTICS AND PRESCRIPTIONS

- Rated voltage: 14V ÷ 28 V
- Maximum direct current: 100A
- Maximum short time current: 500A for 5sec at 23°C
- Number of electrical operations: 5000
- Number of mechanical operations: 5000
- Tightening torque M8 nuts provided in the kit: 6 ± 1Nm
- Tightening torque M6 nuts: 3.5 ± 0.5 Nm

Spring washer, Nut M8 and key are provided in the kit

SAP drawing number:

Material and treatments:

DIMENSIONS AND TOLERANCES IN MILLIMETERS, DEFINED ACCORDING TO ISO 1101-2017.

linear dimensions						
0,5	>3	>6	>30	>120	>400	>1000
3	6	30	120	400	1000	2000
±0,2	±0,3	±0,5	±0,8	±1,2	±2	±3

angle (for range of lengths)				
up to	>10	>50	>120	>400
10	50	120	400	1000
±1°30'	±1°	±0°30'	±0°15'	

- FIT/ FUNCTION CRITICAL CHARACTERISTICS SYMBOL
- <S> SAFETY/ COMPLIANCE CRITICAL CHARACTERISTICS SYMBOL
- CPK DENOTES CPK DIMENSIONS MINIMUM CPK VALUE
- ST DENOTES A CHARACTERISTIC THAT PROVIDES AN INDICATION OF PROCESS PERFORMANCE.PROCEDURE FOR MEASUREMENT AND TRACKING TO BE DEFINED IN LITTELFUSE INSPECTION INSTRUCTIONS
- CP DENOTES CP DIMENSIONS. MINIMUM CP VALUE MUST BE WITHIN THE DIMENSIONAL LIMITATIONS SHOWN ON DRAWING AND INITIALLY LOCATED TO ALLOW FOR MAXIMUM TOOL LIFE

NAME	DATE
DRAWN L. Dal Molin	04-Apr-19
CHECKED -	-
-	-
-	-

Littelfuse
Expertise Applied | Answers Delivered

FORM NO. CVP-PE40-0013 REV A
FIRST ANGLE PROJECTION

TITLE
BATTERY MAIN SWITCH

SIZE: A2 DWG. NO. OL-08098700 OUTLINE REV. A

DO NOT SCALE DRAWING SCALE 1:1 SHEET 1 OF 1