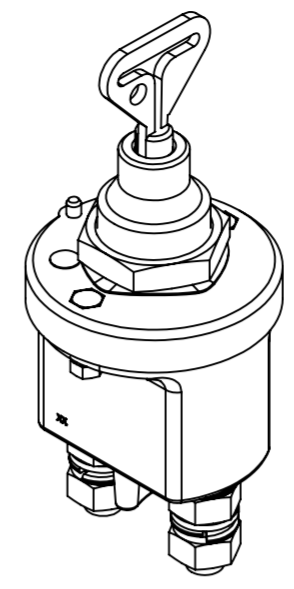
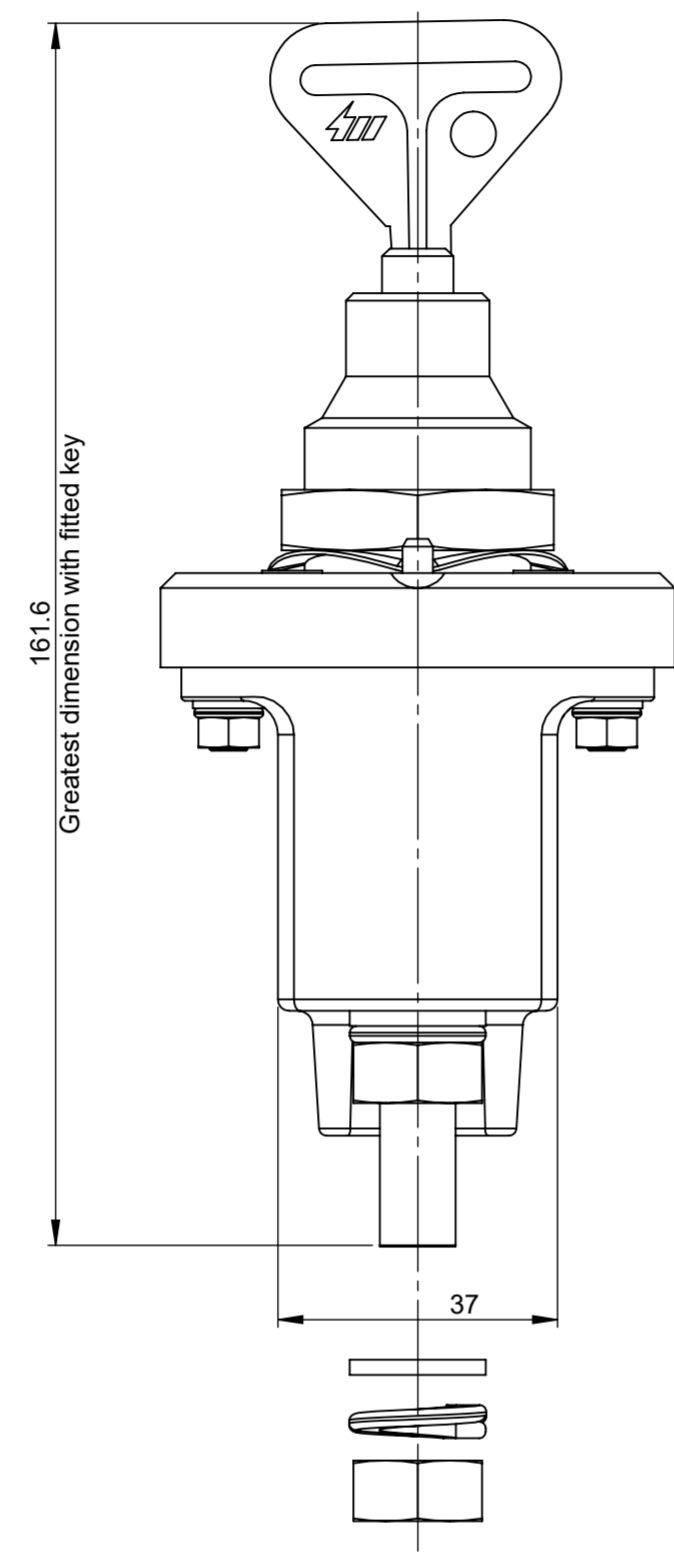
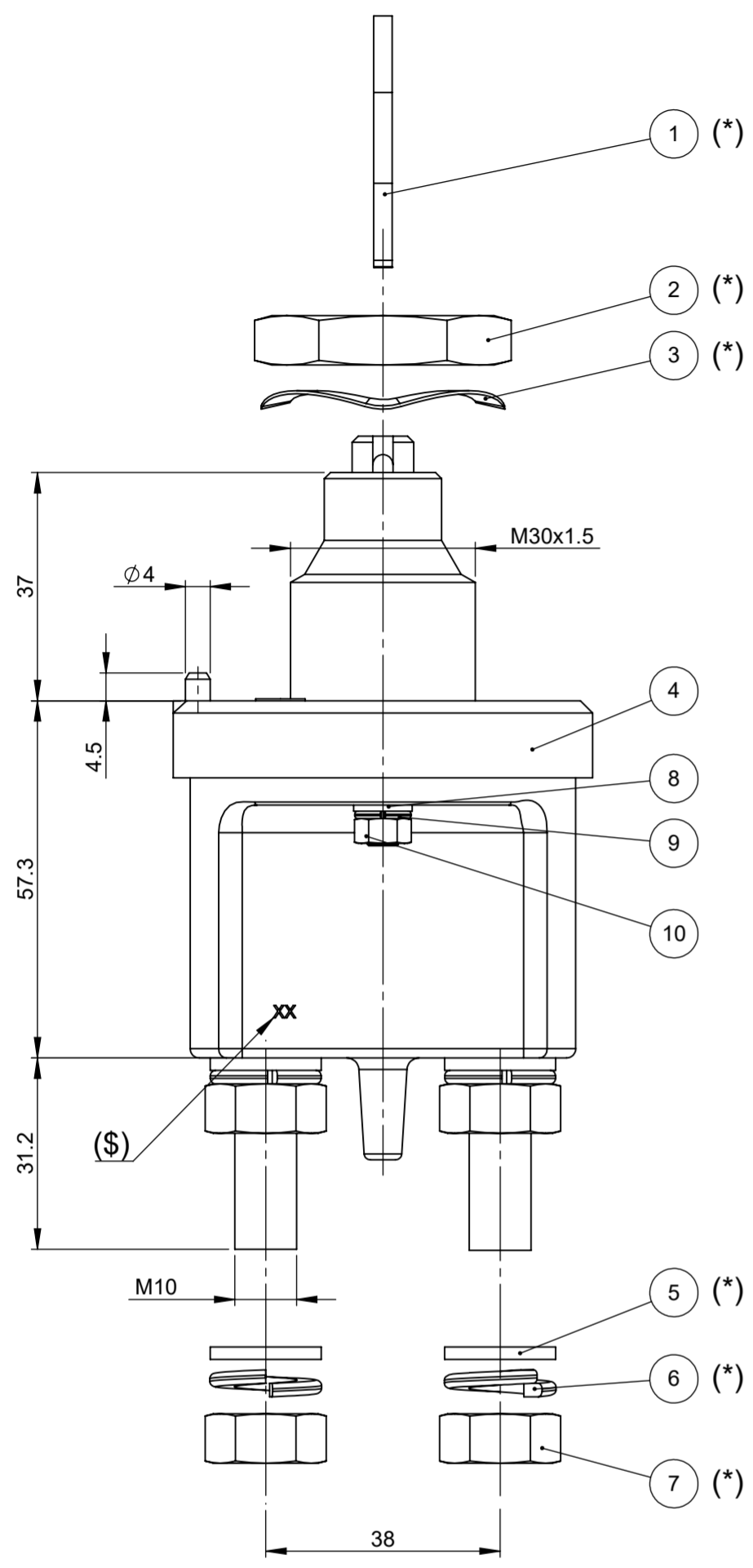
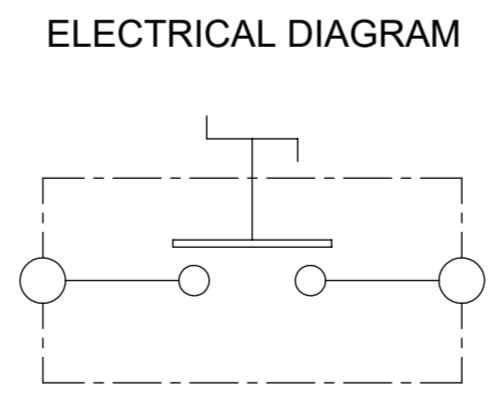
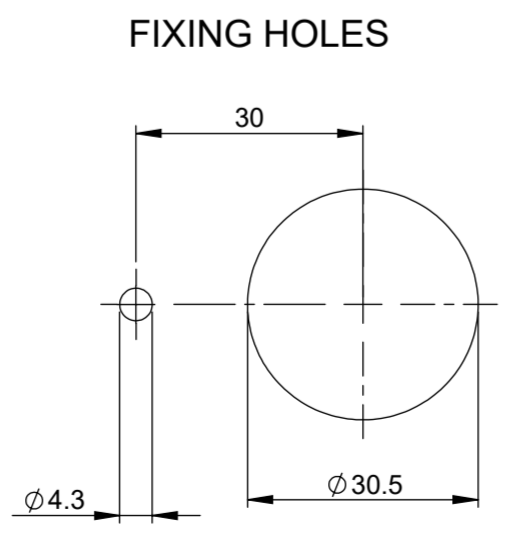
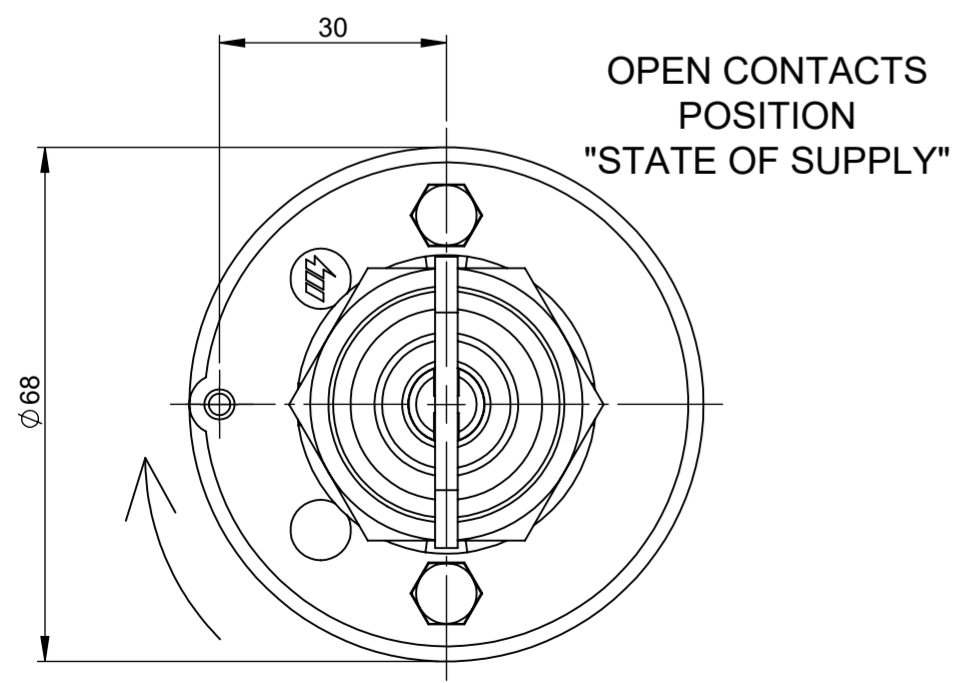


THIS DRAWING AND THE INFORMATION CONTAINED WITHIN IT ARE CONFIDENTIAL AND MAY NOT BE COPIED OR DISCLOSED WITHOUT THE WRITTEN PERMISSION OF LITTELFUSE.

REV.		REVISIONS		
REV.	DESCRIPTION	DATE	DESIGNED	APPROVED
A	First issue of outline drawing	22-Jan-21	L.Dal Molin	M.Tinto
B	Note added	26-Mar-21	L.Dal Molin	M.Tinto



POS.	P/N	DESCRIPTIONS	MATERIAL	Q.TY	U/M
10		Nut M5	Steel	2	EA
9		Grower washer To 5	Steel	2	EA
8		Plane washer Tc 5.3x9.5	Steel	2	EA
7		Nut M10	Brass	2	EA
6		Grower washer B10	Bronze	2	EA
5		Plane washer 10.3x18	Brass	2	EA
4		Complete switch		1	EA
3		Elastic ring	Steel	1	EA
2		Nut M30x1.5	Brass	1	EA
1		Key	Steel	1	EA



PRESCRIPTIONS

- Contacts lock by 90° clockwise rotation of key
- (\$) Marking of manufacturing date, indifferently on right or left terminal
- (*) Key, nut M30x1.5, elastic ring, nuts and washers supplied in the kit

CHARACTERISTICS

- Max operating voltage: 24 DC
- Max continuous current: 250A
- Intermittent current: 2500A at 3 sec.
- Handle operating torque: 1.5(±0.5) Nm
- M10 nut closing pair: 19(±3) Nm
- M5 nut closing pair: 1.5(±0.5) Nm
- Locking nut M30x1.5: 35(±5) Nm
- Maximum thickness lockable with nut M30: 12mm
- ⓑ - Key operating torque: 2±0.5 Nm

SAP drawing number: 10000106316

Material and treatments:

DIMENSIONS AND TOLERANCES IN MILLIMETERS, DEFINED ACCORDING TO ISO 1101-2017.									
linear dimensions									
0,5 3	>3 6								
±0,2	±0,3								
angle (for range of lengths)									
up to 10	>10 50								
±1°30'	±1°								
<p>● FIT/ FUNCTION CRITICAL CHARACTERISTICS SYMBOL</p> <p><S> SAFETY/ COMPLIANCE CRITICAL CHARACTERISTICS SYMBOL</p> <p>CPK DENOTES CPK DIMENSIONS MINIMUM CPK VALUE</p> <p>ST DENOTES A CHARACTERISTIC THAT PROVIDES AN INDICATION OF PROCESS PERFORMANCE. PROCEDURE FOR MEASUREMENT AND TRACKING TO BE DEFINED IN LITTELFUSE INSPECTION INSTRUCTIONS</p> <p>CP DENOTES CP DIMENSIONS. MINIMUM CP VALUE MUST BE WITHIN THE DIMENSIONAL LIMITATIONS SHOWN ON DRAWING AND INITIALLY LOCATED TO ALLOW FOR MAXIMUM TOOL LIFE</p>									
<table border="1"> <thead> <tr> <th>NAME</th> <th>DATE</th> </tr> </thead> <tbody> <tr> <td>DRAWN L. Dal Molin</td> <td>22-Jan-21</td> </tr> <tr> <td>CHECKED -</td> <td>-</td> </tr> <tr> <td>-</td> <td>-</td> </tr> </tbody> </table>	NAME	DATE	DRAWN L. Dal Molin	22-Jan-21	CHECKED -	-	-	-	<p>Littelfuse</p> <p>Expertise Applied Answers Delivered</p>
NAME	DATE								
DRAWN L. Dal Molin	22-Jan-21								
CHECKED -	-								
-	-								
<table border="1"> <thead> <tr> <th>FORM NO.</th> <th>REV A</th> </tr> </thead> <tbody> <tr> <td>CVP-PE40-0013</td> <td>REV A</td> </tr> </tbody> </table>	FORM NO.	REV A	CVP-PE40-0013	REV A	<p>250 A MANUAL BATTERY MASTER SWITCH WITH REMOVABLE KEY</p> <p>SIZE: A2 DWG. NO. OL-08098300</p>				
FORM NO.	REV A								
CVP-PE40-0013	REV A								
DO NOT SCALE DRAWING	SCALE 1:1 SHEET 1 OF 1								