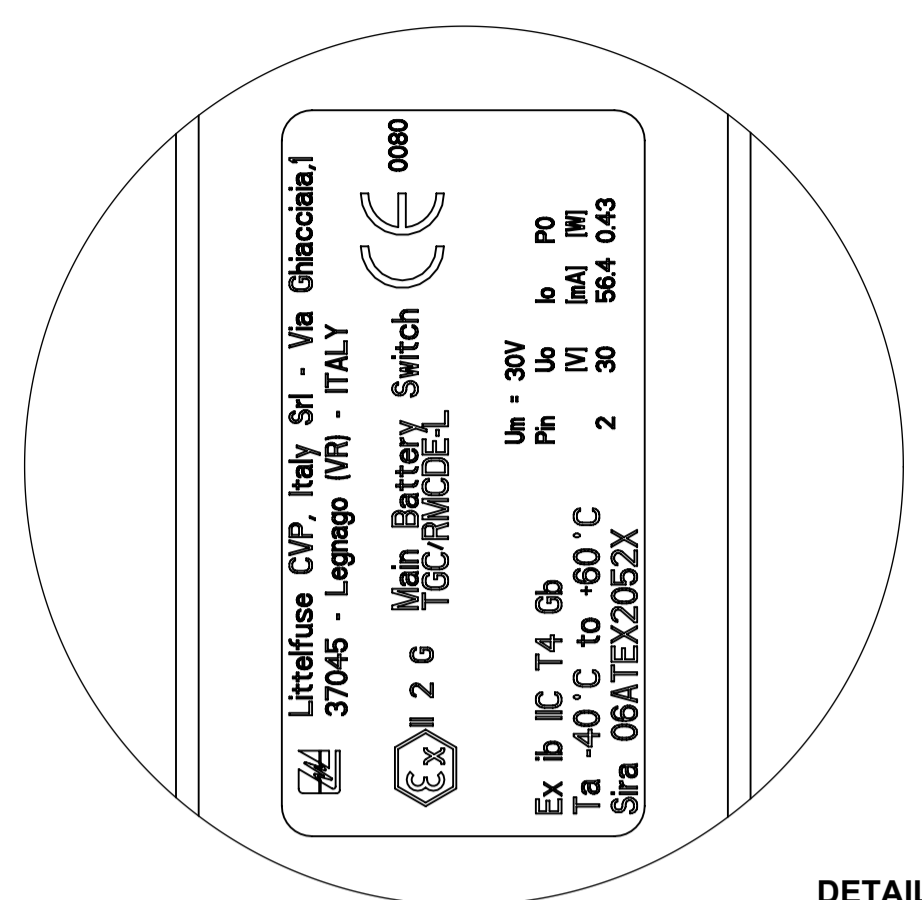
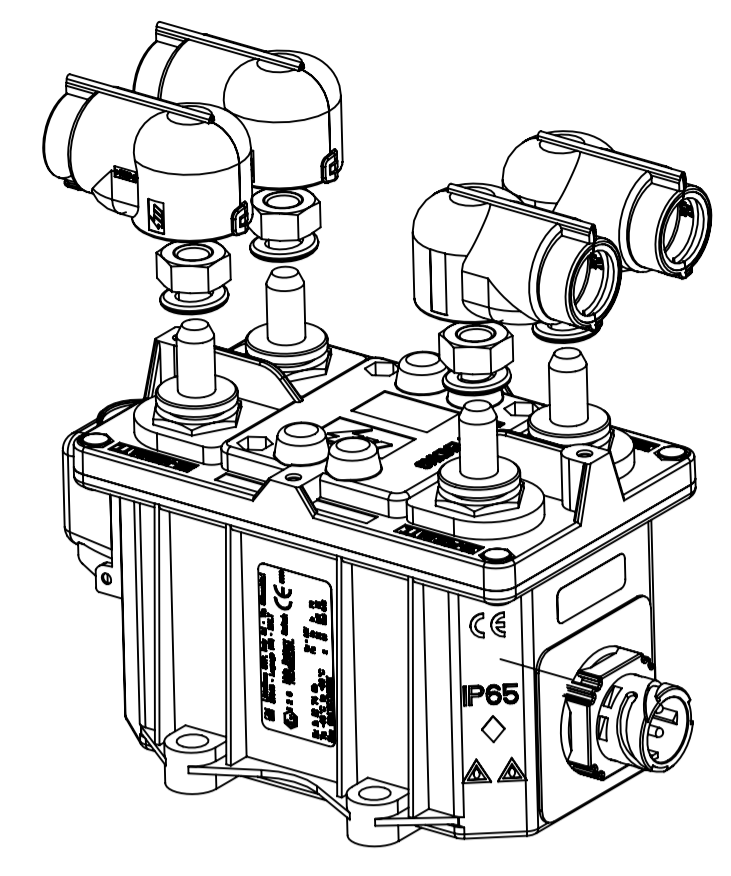
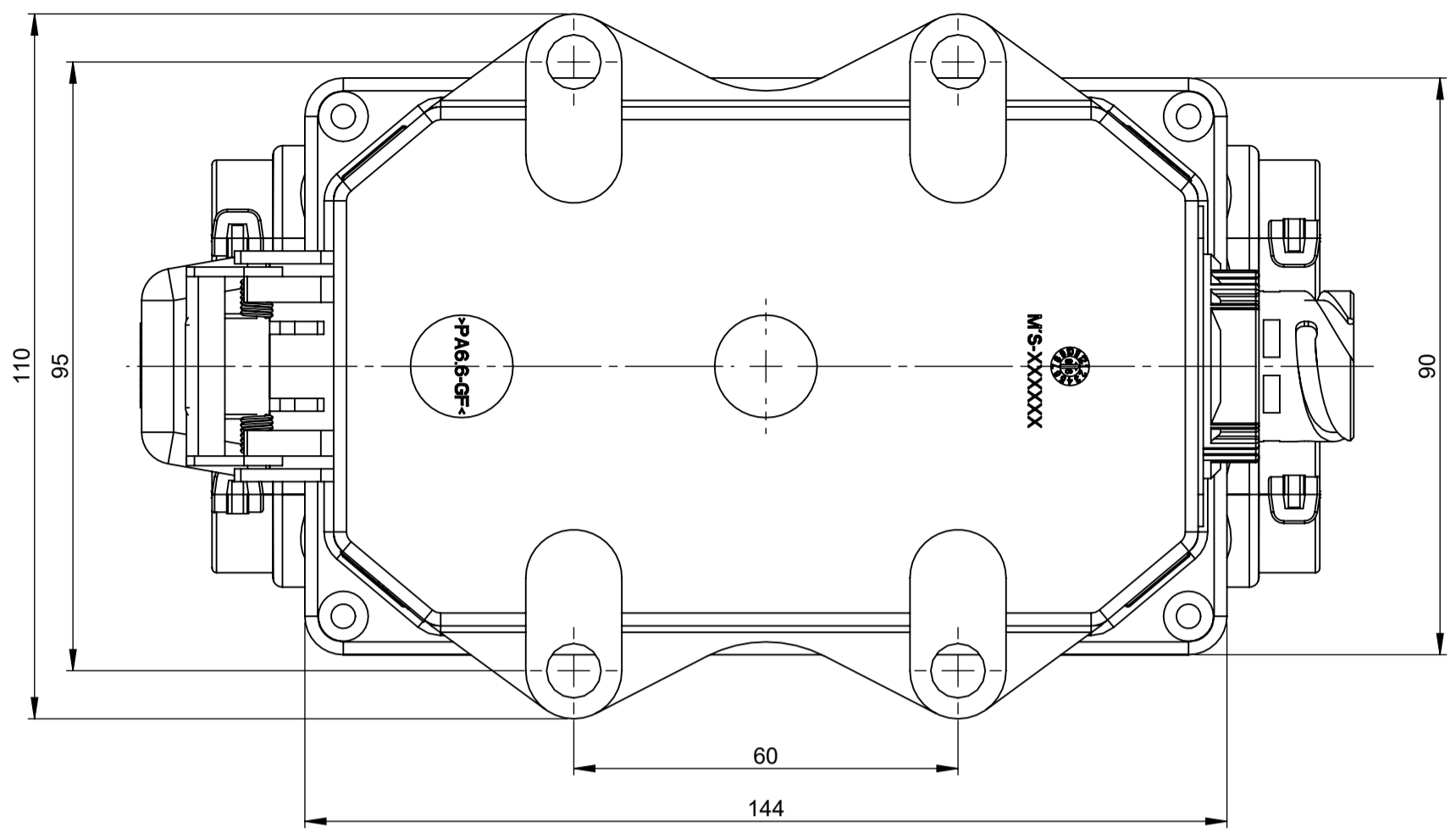


THIS DRAWING AND THE INFORMATION CONTAINED WITHIN IT ARE CONFIDENTIAL AND MAY NOT BE COPIED OR DISCLOSED WITHOUT THE WRITTEN PERMISSION OF LITTELFUSE.

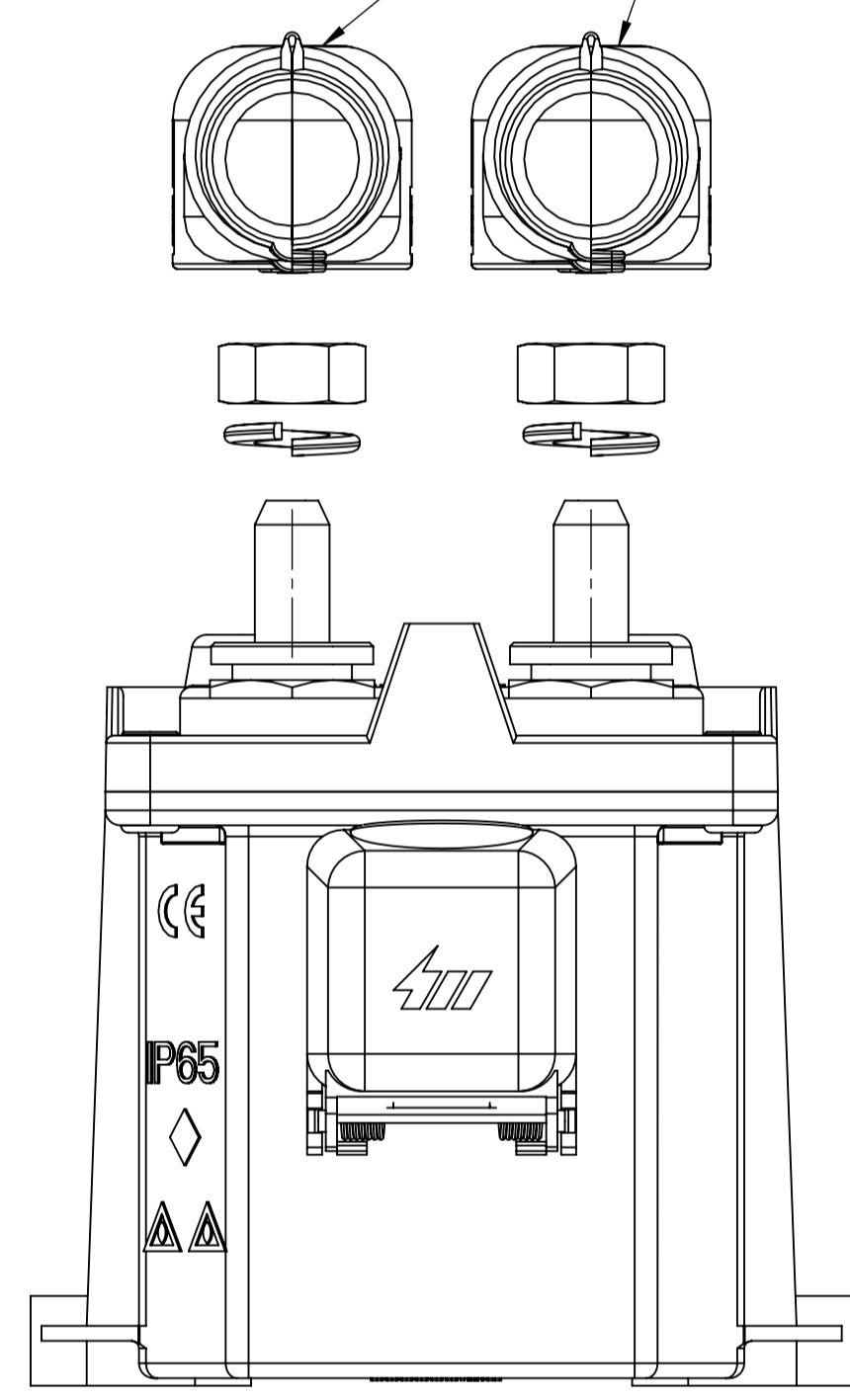
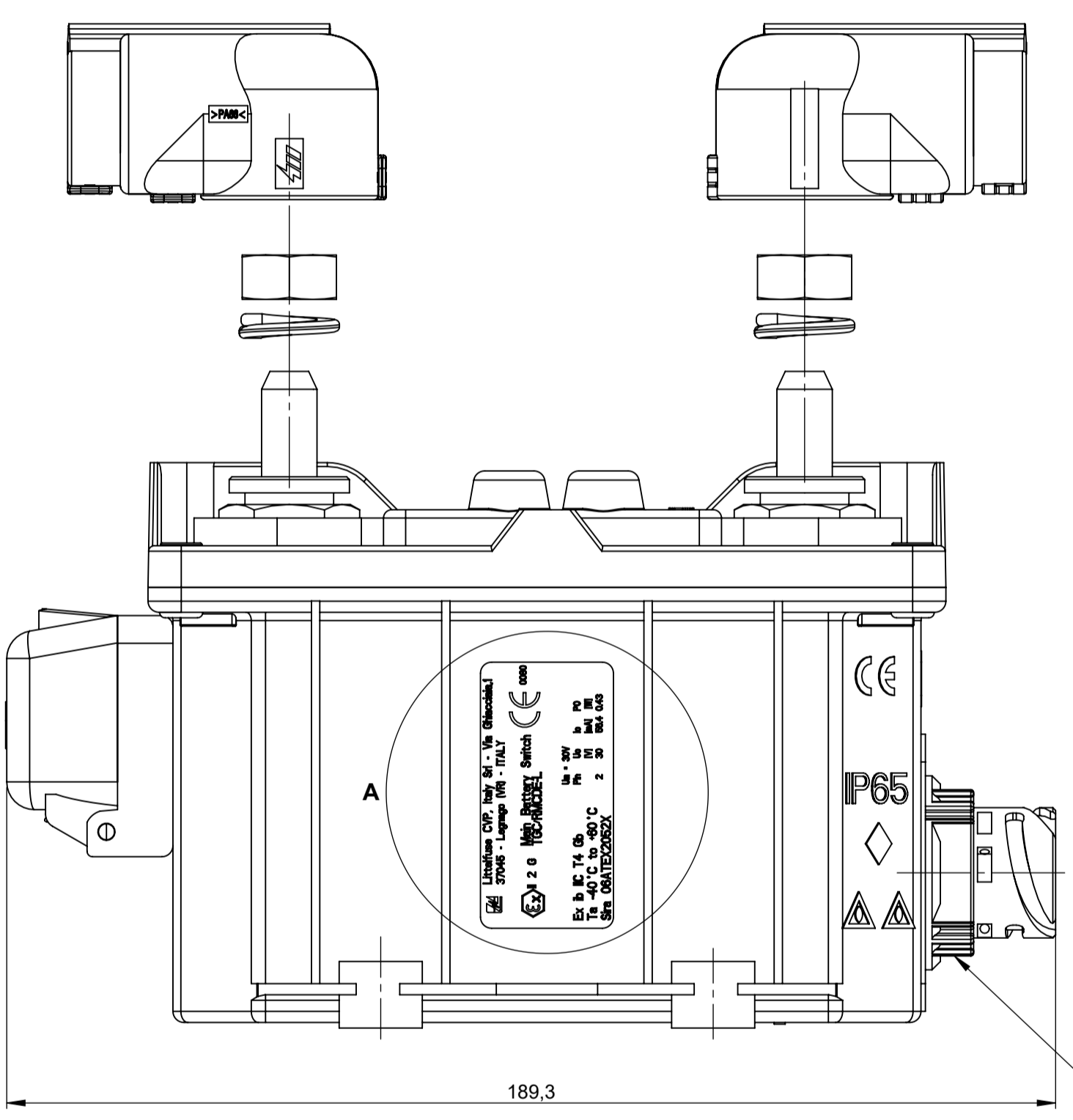
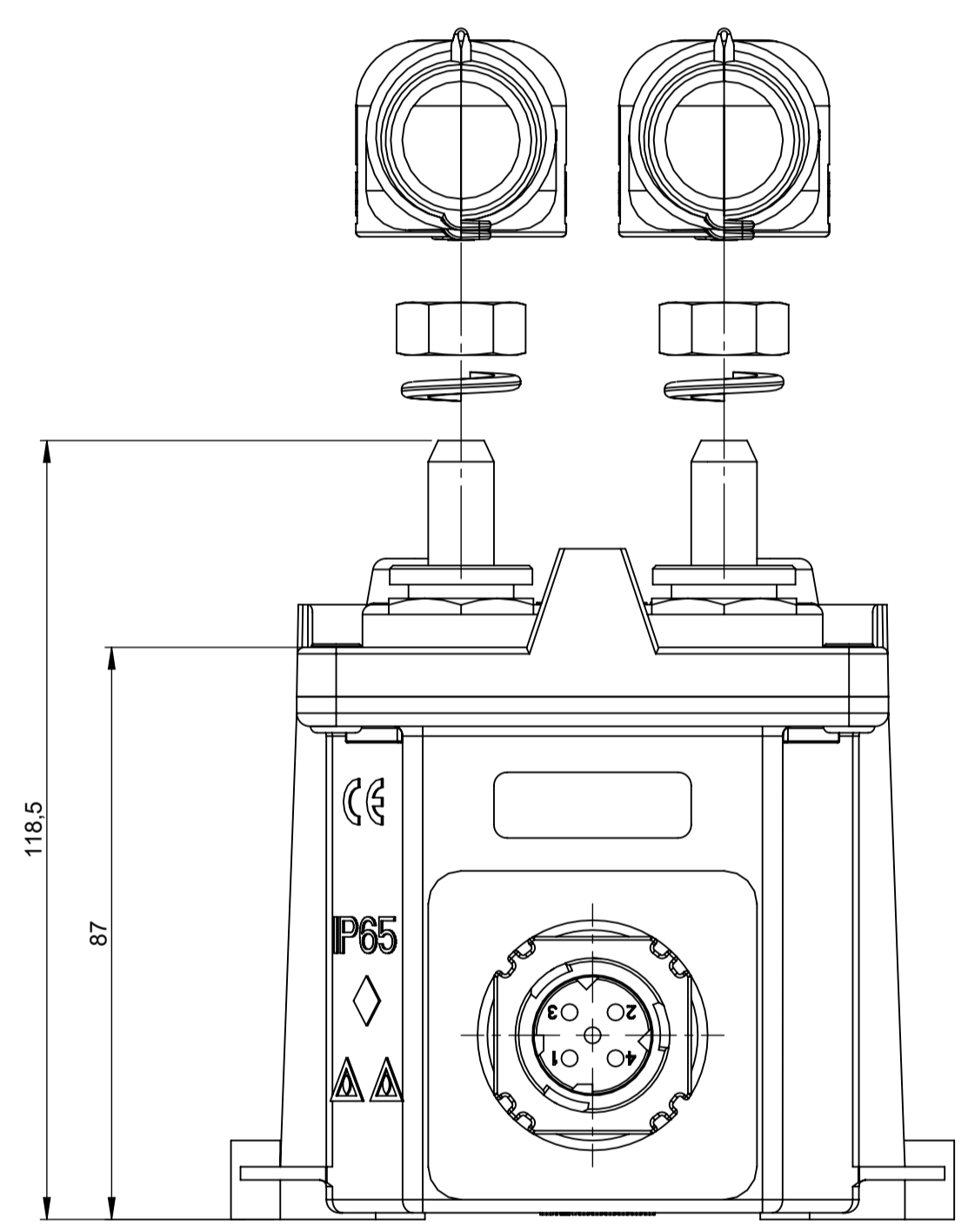
REV.	DESCRIPTION	DATE	DESIGNED	APPROVED
A	FIRST ISSUE OF OUTLINE DRAWING	08-July-2020	Gasparini	Tinto



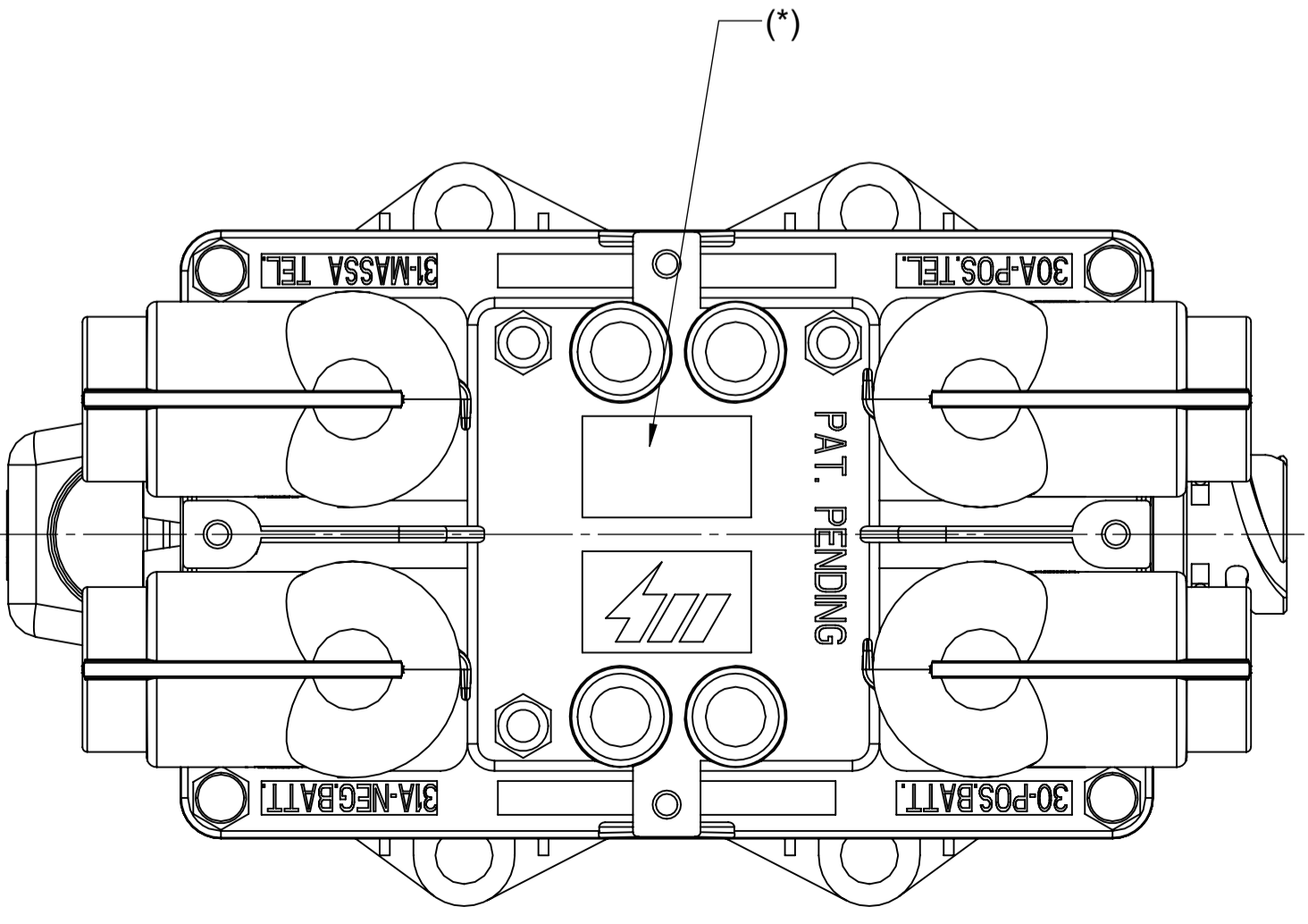
DETAIL A  
SCALE 2 : 1



Spare part cod. 00226200  
Protection open 70 mmq



Screw the connector nut  
with a pair of 7 ± 1 Nm



**ELECTRICAL CHARACTERISTICS**

- Nominal operating voltage: 12 + 24 V
- Maximum continuous current on main contacts: 250 A
- Max current short duration on contacts: 2000 A at 23°C for 30sec.

**MECHANICAL CHARACTERISTICS**

- Number of electrical and mechanical operations: 50.000
- Locking torque nuts M10/M12: 20 Nm

**PRESCRIPTION**

- Maximum torque of screws M10=20 nm
- We suggest to fix the device to the structure by screws M8 UNI 5931:1984 and plane washers 8.4x17 UNI 6592:1969 under head
- (\*): Data of production
- The distance between plunger bridge and fix contacts must be minimum 2mm

SAP drawing number:  
Material and treatments:

DIMENSIONS AND TOLERANCES IN MILLIMETERS, DEFINED ACCORDING TO ISO 1101:2017.							
linear dimensions							
0,5	>3	>6	>30	>120	>400	>1000	>2000
±0,2	±0,3	±0,5	±0,8	±1,2	±2	±3	
angle (for range of lengths)							
up to 10	>10	>50	>120	>400	>1200		
±1'30"	±1'	±0'30"	±0'15"				
● FIT: FUNCTION CRITICAL CHARACTERISTICS SYMBOL							
<S> SAFETY COMPLIANCE CRITICAL CHARACTERISTICS SYMBOL							
CPK DENOTES CPK DIMENSIONS MINIMUM CPK VALUE							
(ST) DENOTES A CHARACTERISTIC THAT PROVIDES AN INDICATION OF PROCESS PERFORMANCE PROCEDURE FOR MEASUREMENT AND TRACKING TO BE DEFINED IN LITTELFUSE INSPECTION INSTRUCTIONS							
CP DENOTES CP DIMENSIONS. MINIMUM CP VALUE MUST BE WITHIN THE DIMENSIONAL LIMITATIONS SHOWN ON DRAWING AND INITIALLY LOCATED TO ALLOW FOR MAXIMUM TOOL LIFE							
DRAWN		L. De Moin		DATE		27/05/2019	
CHECKED							
FORM NO. CVP-RE0-2019 REV. A				TITLE			
FIRST ANGLE PROJECTION				GENERAL ELECTRICAL MAIN SWITCH			
				TGC/RM/CDE 12V			
				SIZE			
				A1			
DO NOT SCALE DRAWING				SCALE 1:1			
				DWG. NO.			
				OL-08097360			
				REV. A			
				SHEET 1 OF 1			

