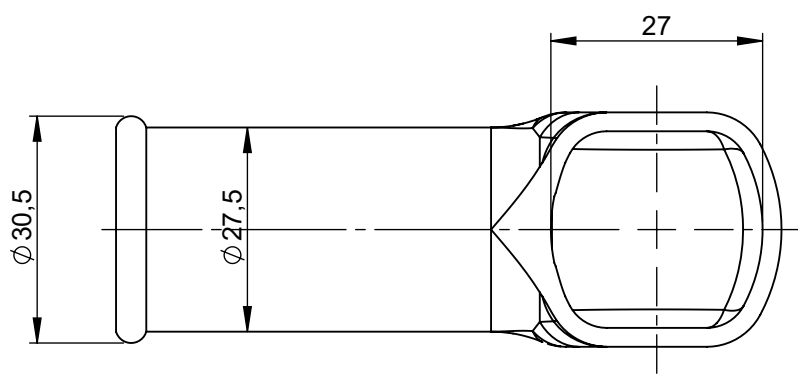


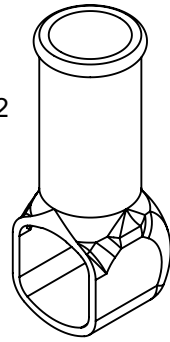
THIS DRAWING AND THE INFORMATION CONTAINED WITHIN IT ARE CONFIDENTIAL AND MAY NOT BE COPIED OR DISCLOSED WITHOUT THE WRITTEN PERMISSION OF LITTELFUSE.

REVISIONS				
REV.	DESCRIPTION	DATE	DESIGNED	APPROVED
A	FIRST ISSUE OF OUTLINE DRAWING	2-July-2020	Gasparini	Tinto

D



Scale 1:2



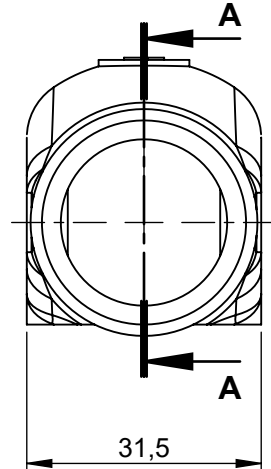
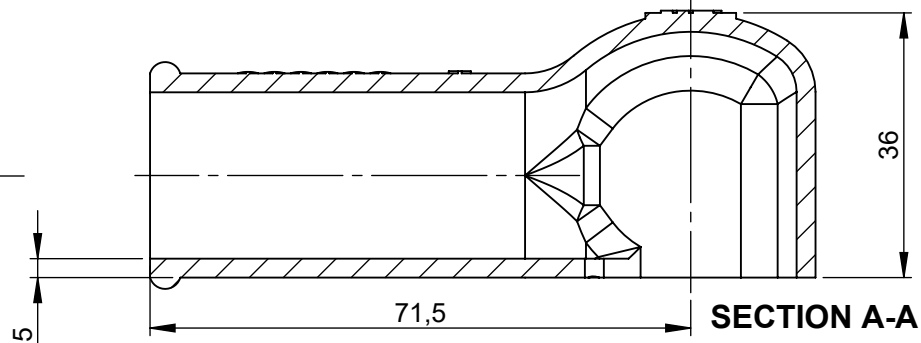
C

SAP drawing number:

Material and treatments:

Materiale <non specificato>

B



A

Material: Rubber

Logo Member's Code 634331 and number mark

DIMENSIONS AND TOLERANCES IN MILLIMETERS, DEFINED ACCORDING TO ISO 1101-2017.

	0 4	>4 6,3	>6,3 10	>10 16	>16 25
F	±0,10	±0,15	±0,20	±0,20	±0,25
	>25 40	>40 63	>63 100	>100 160	>160
F	±0,35	±0,40	±0,50	±0,70	±0,5%

●	FIT/ FUNCTION CRITICAL CHARACTERISTICS SYMBOL
<S>	SAFETY/ COMPLIANCE CRITICAL CHARACTERISTICS SYMBOL
CPK	DENOTES CPK DIMENSIONS MINIMUM CPK VALUE
ST	DENOTES A CHARACTERISTIC THAT PROVIDES AN INDICATION OF PROCESS PERFORMANCE.PROCEDURE FOR MEASUREMENTAND TRACKINGTO BE DEFINED IN LITTELFUSE INSPECTION INSTRUCTIONS
CP	DENOTES CP DIMENSIONS, -MINIMUM CP VALUE MUST BE WITHIN THE DIMENSIONAL LIMITATIONS SHOWN ON DRAWING AND INITIALLY LOCATED TO ALLOW FOR MAXIMUM TOOL LIFE

	NAME	DATE
DRAWN	L. Dal Molin	23/05/2019
CHECKED	-	-
	-	-
	-	-



FORM NO.	CVP-PE40-0013 REV A
FIRST ANGLE PROJECTION	
DO NOT SCALE DRAWING	

TITLE		CABLE LUG PROTECTION	
SIZE:	A4	DWG. NO.	OL-08095500
		OUTLINE REV.	A
SCALE 1:1			SHEET 1 OF 1

THIS DRAWING AND THE INFORMATION CONTAINED WITHIN IT ARE CONFIDENTIAL AND MAY NOT BE COPIED OR DISCLOSED WITHOUT THE WRITTEN PERMISSION OF LITTELFUSE.

THIS DRAWING AND THE INFORMATION CONTAINED WITHIN IT ARE CONFIDENTIAL AND MAY NOT BE COPIED OR DISCLOSED WITHOUT THE WRITTEN PERMISSION OF LITTELFUSE.