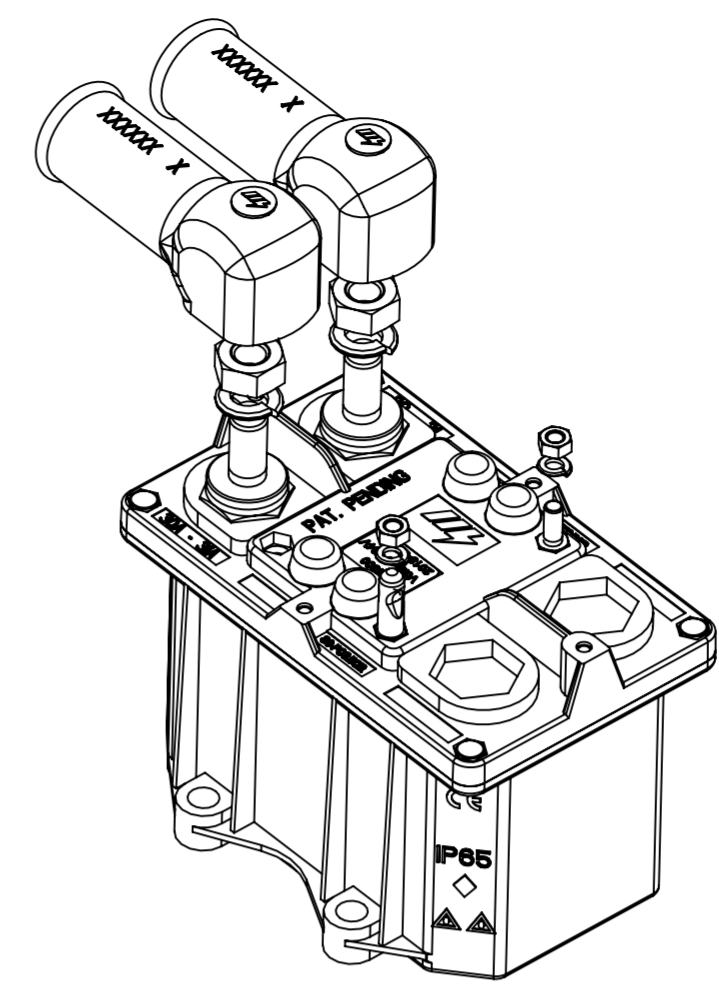
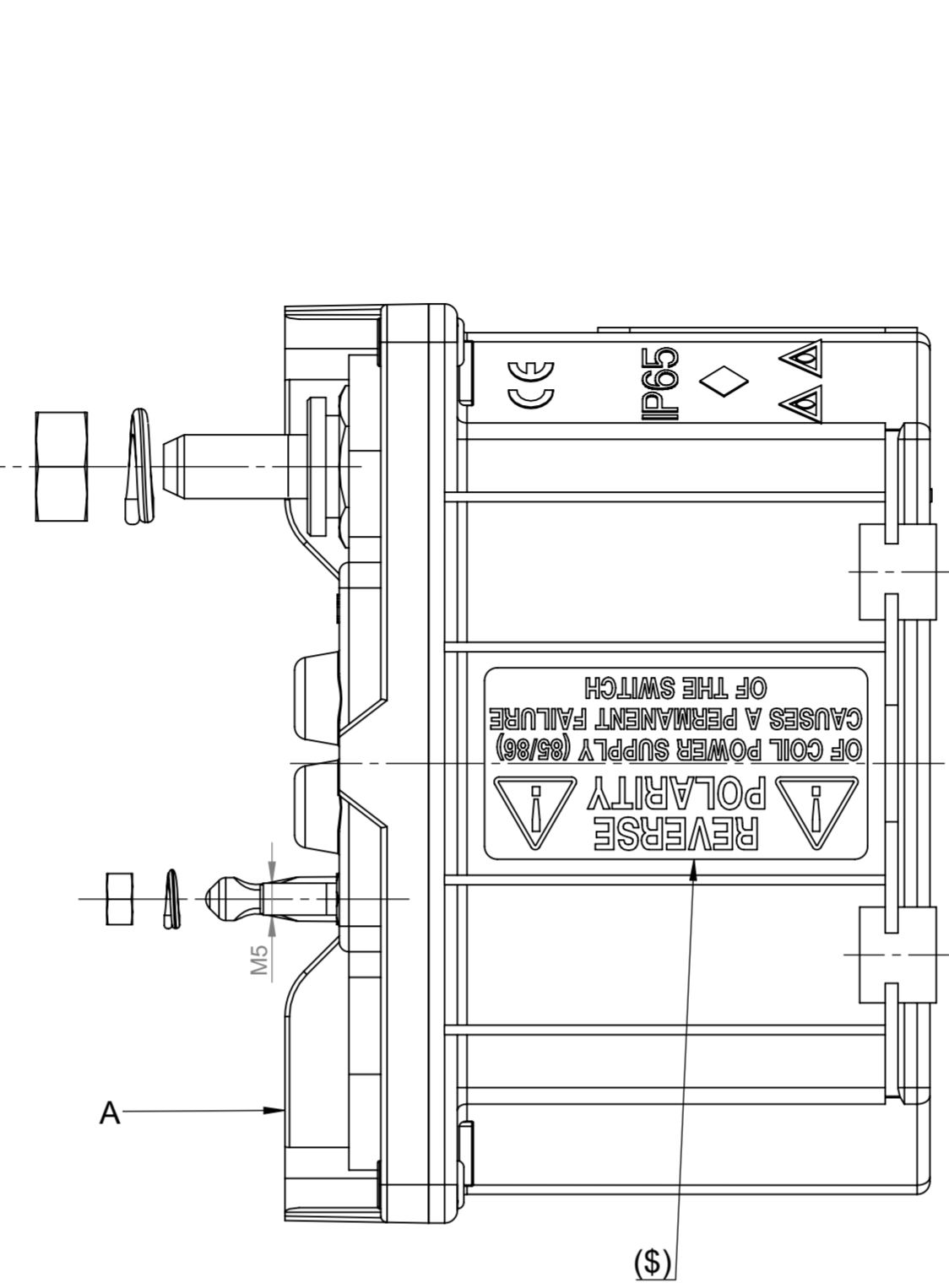
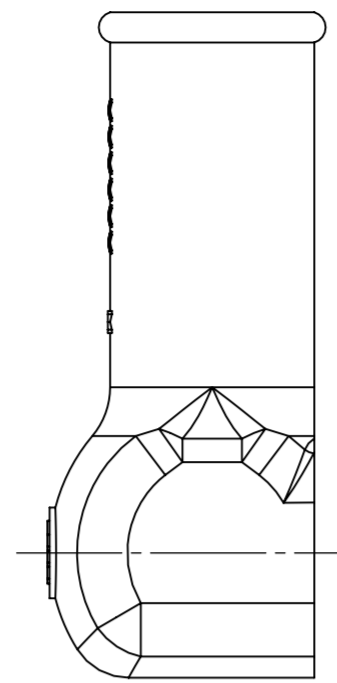
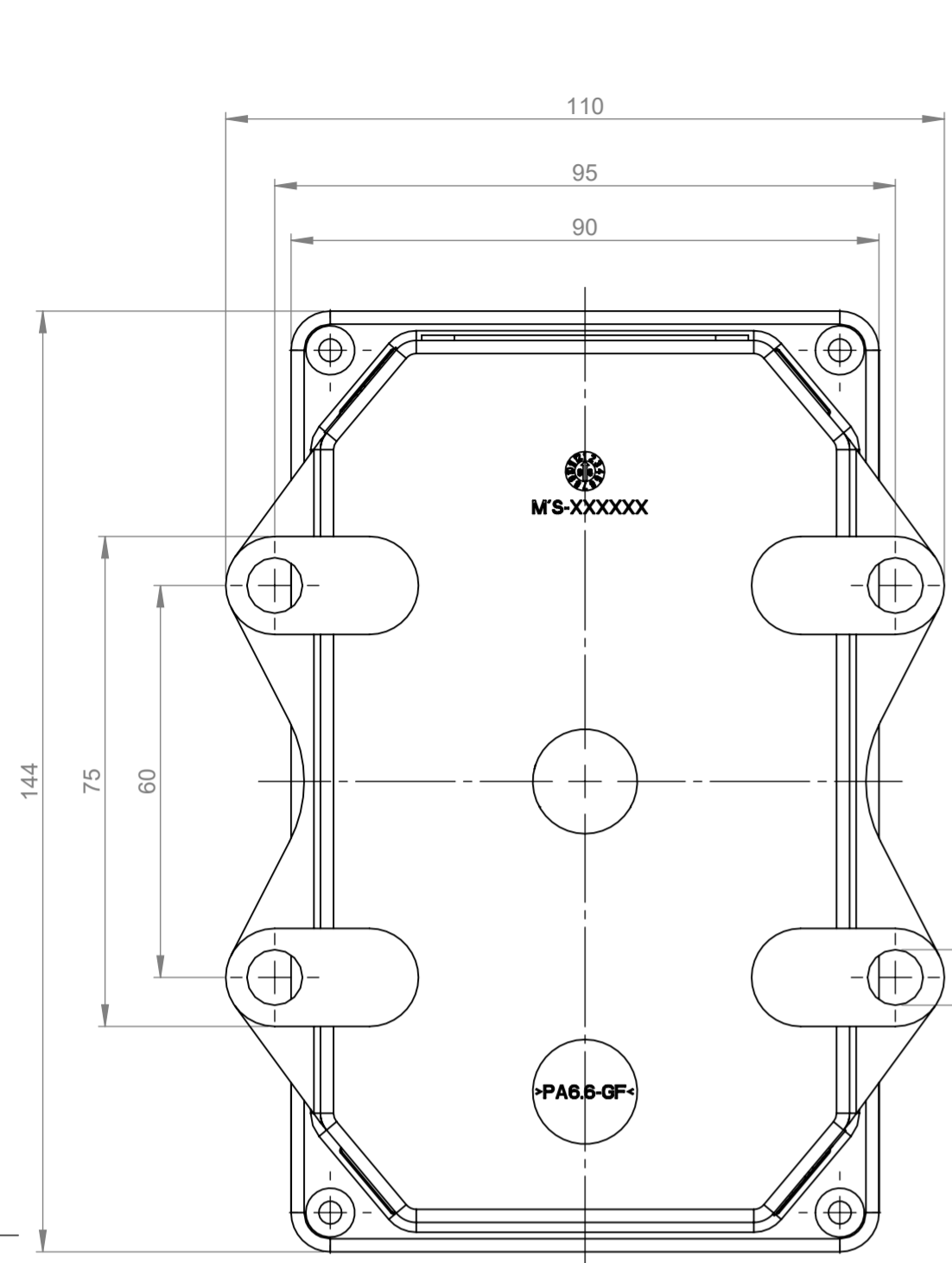


THIS DRAWING AND THE INFORMATION CONTAINED WITHIN IT ARE CONFIDENTIAL AND MAY NOT BE COPIED OR DISCLOSED WITHOUT THE WRITTEN PERMISSION OF LITTELFUSE.

		REVISIONS		
REV.	DESCRIPTION	DATE	DESIGNED	APPROVED
A	FIRST ISSUE OF OUTLINE DRAWING	25-June-2020	Gasparini	Tinto



**MECHANICAL CHARACTERISTICS**

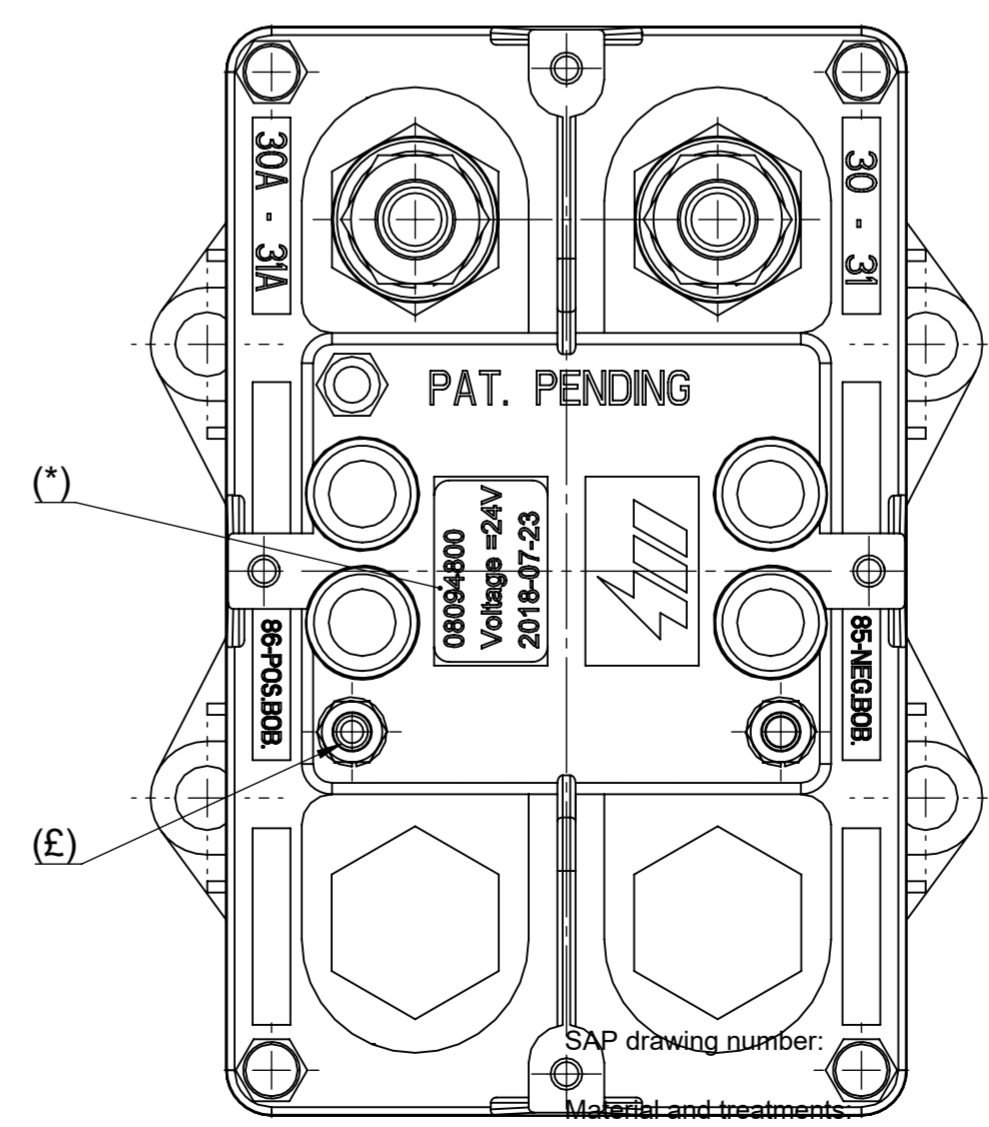
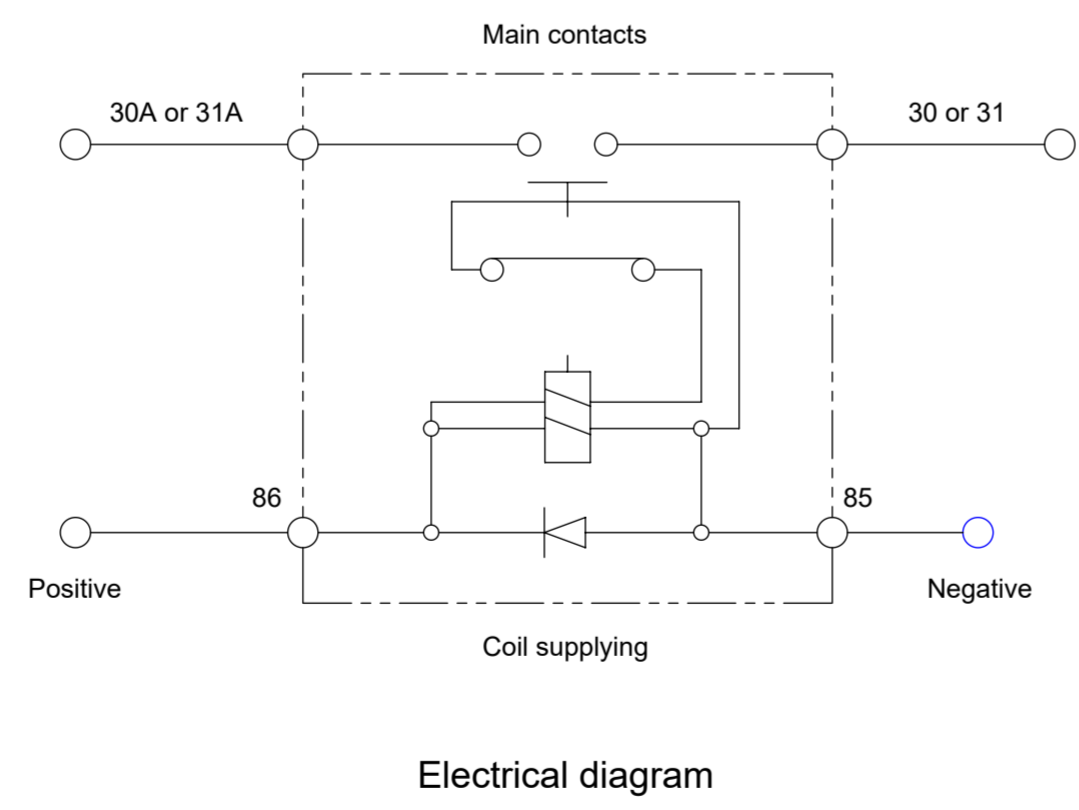
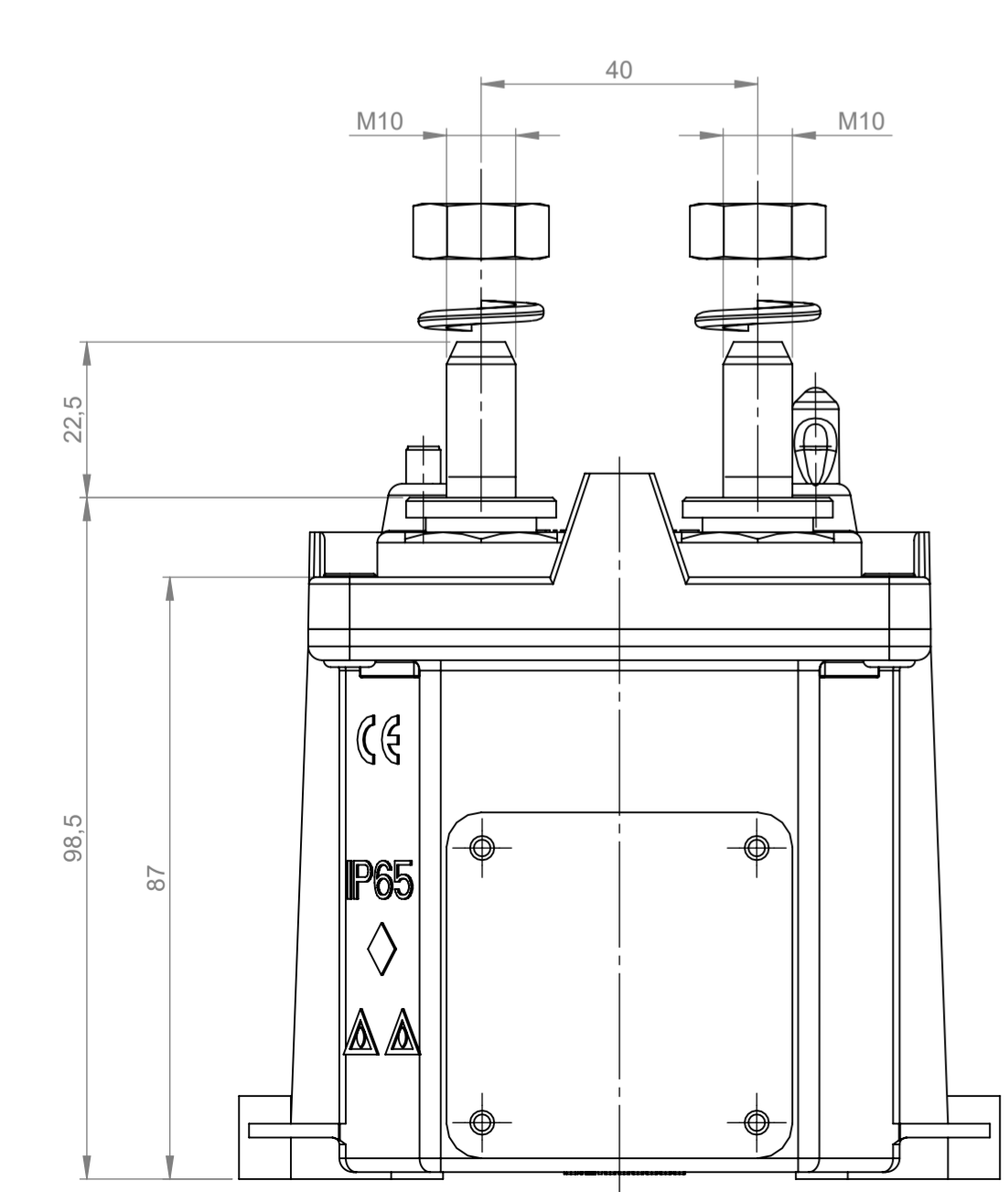
- Number of mechanical and electrical operations: 100.000
- Tightening torque nuts M10/M12: 20 Nm
- Tightening torque nuts M5/M6: 1.6 ± 0.4 Nm

**ELECTRICAL CHARACTERISTICS**

- Nominal voltage range: 12 + 24 V
- Maximum continuous current on main contacts: 250A
- Maximum short time current on main contacts: 2000A at 23°C for 30 sec

**PRESCRIPTIONS**

- (\*): Manufacturing date according to LITTELFUSE Technical Standard
- (\$): To apply the label indifferently on one box side or the opposite
- (£): Cap for M5 pos. coil pin identification, to remove during TGC installation on vehicle
- It is recommended to fix the TGC to the structure by means of screws M8 UNI 5931:1984 and flat washers 8.4x17 UNI 6592:1969



DIMENSIONS AND TOLERANCES IN MILLIMETERS, DEFINED ACCORDING TO ISO 1101:2017.						
<b>linear dimensions</b>						
0,5 3	>3 6	>6 30	>30 120	>120 400	>400 1000	>1000 2000
±0,2	±0,3	±0,5	±0,8	±1,2	±2	±3
<b>angle (for range of lengths)</b>						
up to 10	>10 50	>50 120	>120 400	>400	>1200	>2000
±1°30'	±1°	±0°30'	±0°15'			
● FIT/ FUNCTION CRITICAL CHARACTERISTICS SYMBOL						
<S> SAFETY/ COMPLIANCE CRITICAL CHARACTERISTICS SYMBOL						
CPK DENOTES CPK DIMENSIONS MINIMUM CPK VALUE						
ST DENOTES A CHARACTERISTIC THAT PROVIDES AN INDICATION OF PROCESS PERFORMANCE. PROCEDURE FOR MEASUREMENT AND TRACKING TO BE DEFINED IN LITTELFUSE INSPECTION INSTRUCTIONS						
CP DENOTES CP DIMENSIONS. MINIMUM CP VALUE MUST BE WITHIN THE DIMENSIONAL LIMITATIONS SHOWN ON DRAWING AND INITIALLY LOCATED TO ALLOW FOR MAXIMUM TOOL LIFE						
NAME	DATE					
DRAWN: L. Dal Molin	20/05/2019					
CHECKED: -	-					
Littelfuse Expertise Applied   Answers Delivered						
FORM NO. CVP-PE40-0013 REV A		TITLE				
FIRST ANGLE PROJECTION		General Electrical Main Switch TGC/S				
SIZE: A2		DWG. NO. OL-08094800		OUTLINE REV. A		
DO NOT SCALE DRAWING		SCALE 1:1		SHEET 1 OF 1		