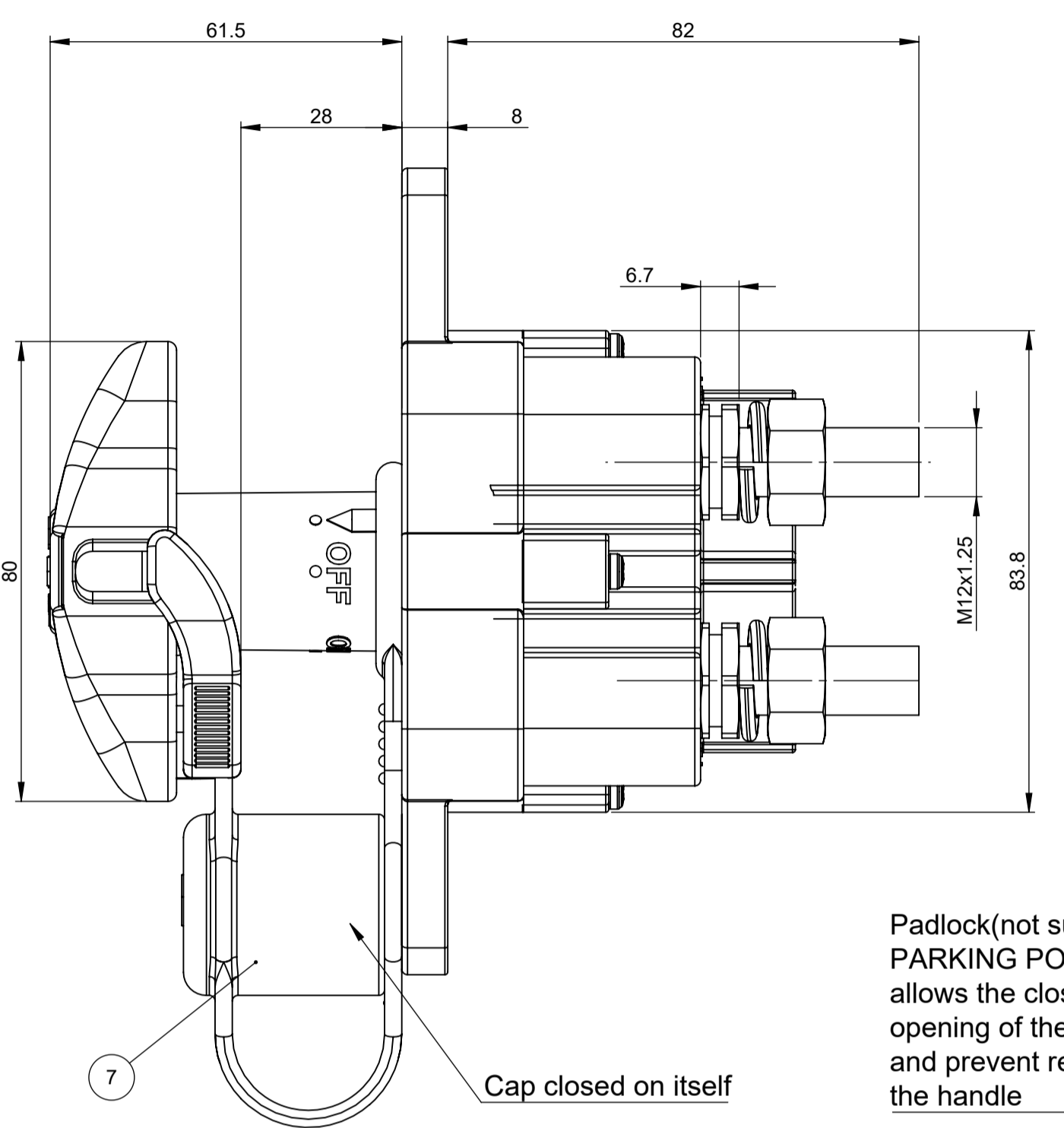
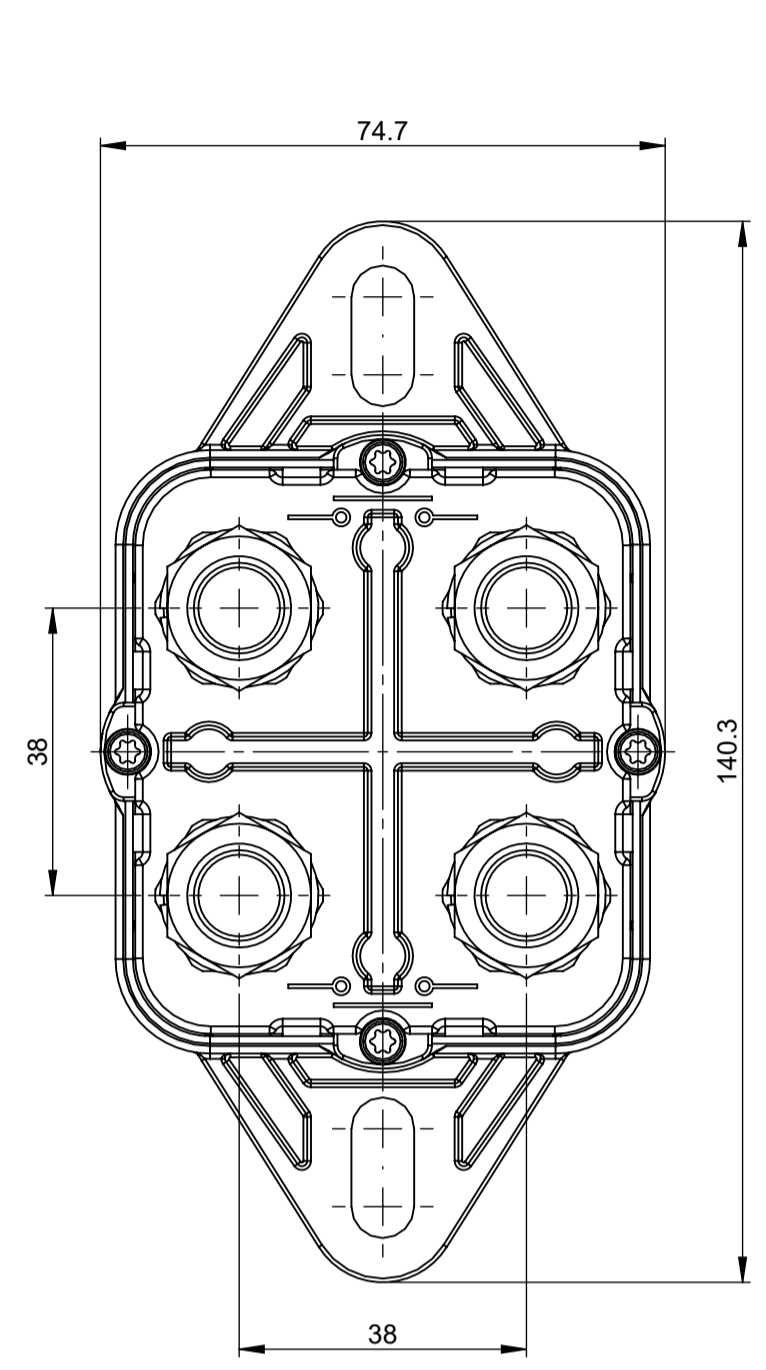
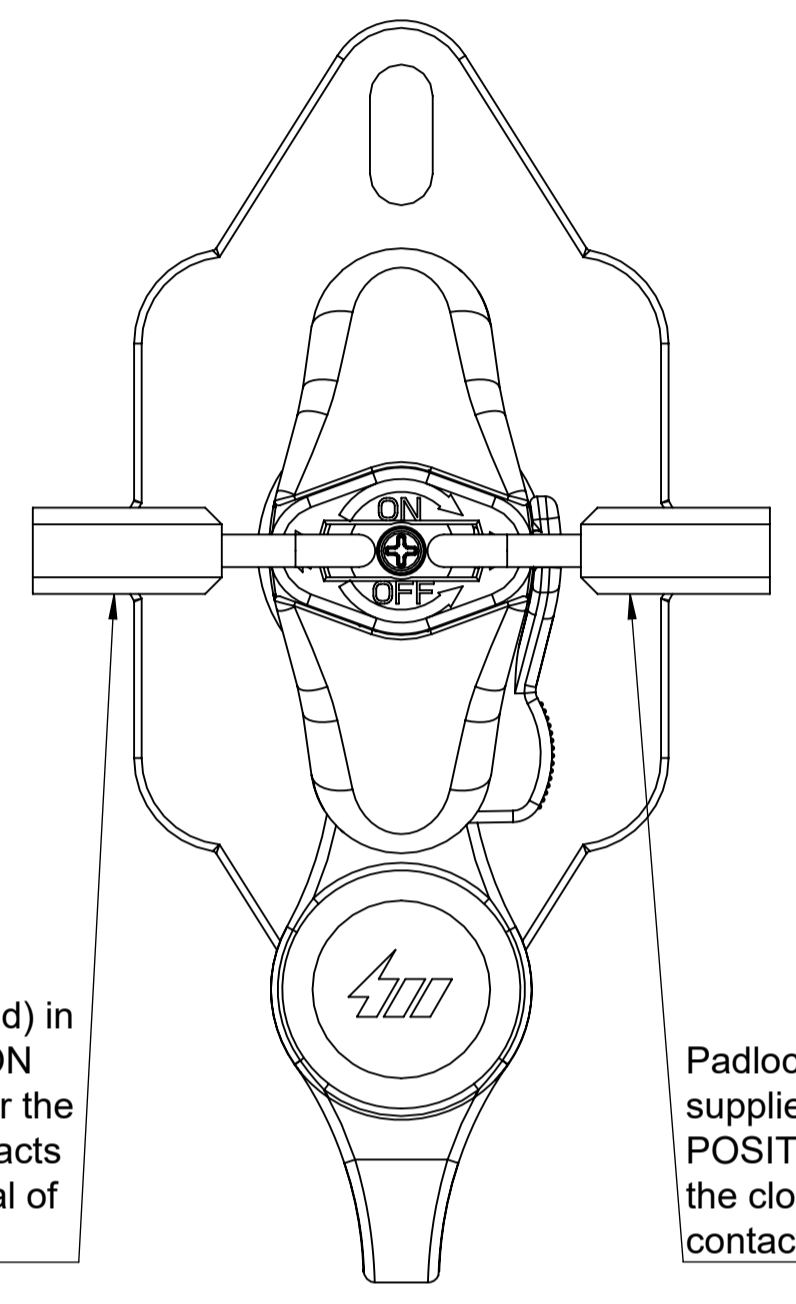


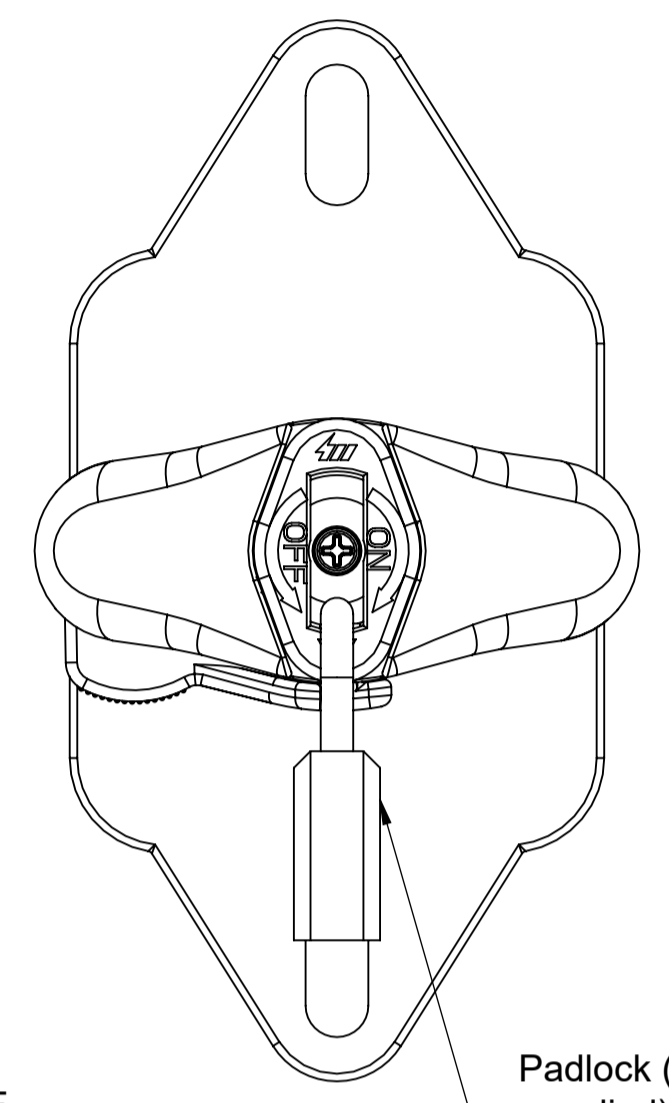
REV. DESCRIPTION		REVISIONS		
REV.	DESCRIPTION	DATE	DESIGNED	APPROVED
A	First issue of outline drawing	14-Apr-21	L.Dal Molin	M.Tinto



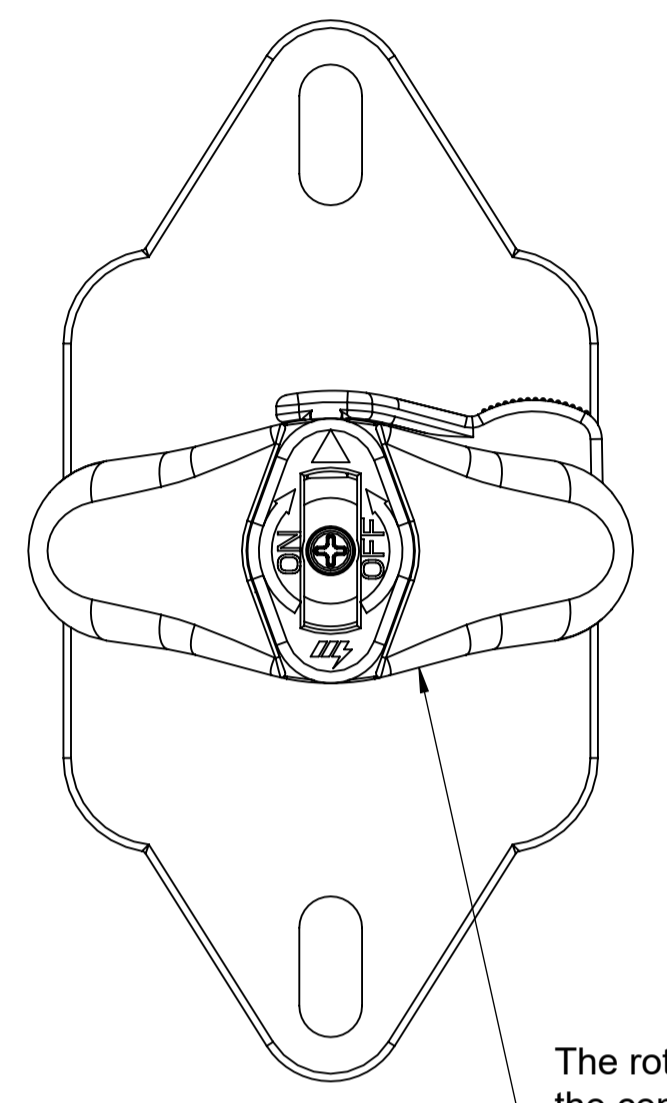
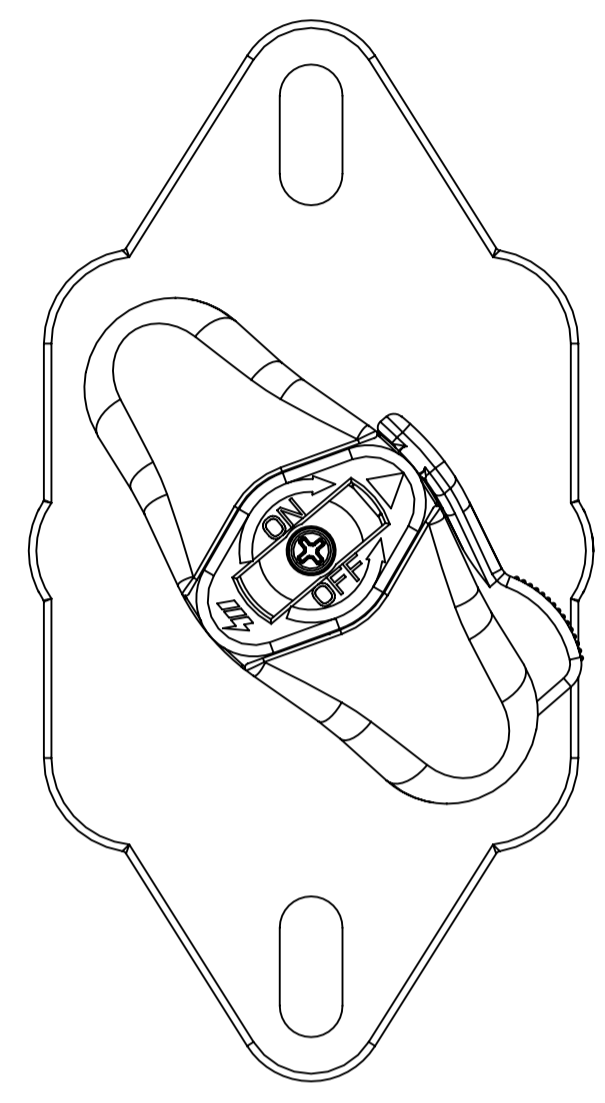
Padlock(not supplied) in PARKING POSITION allows the closing or the opening of the contacts and prevent removal of the handle



Padlock(not supplied) in OFF POSITION prevent the closing of the contacts



Padlock (not supplied) in ON POSITION prevent the opening of the contacts



The rotation of the central insert allows to obtain removable or not removable handle

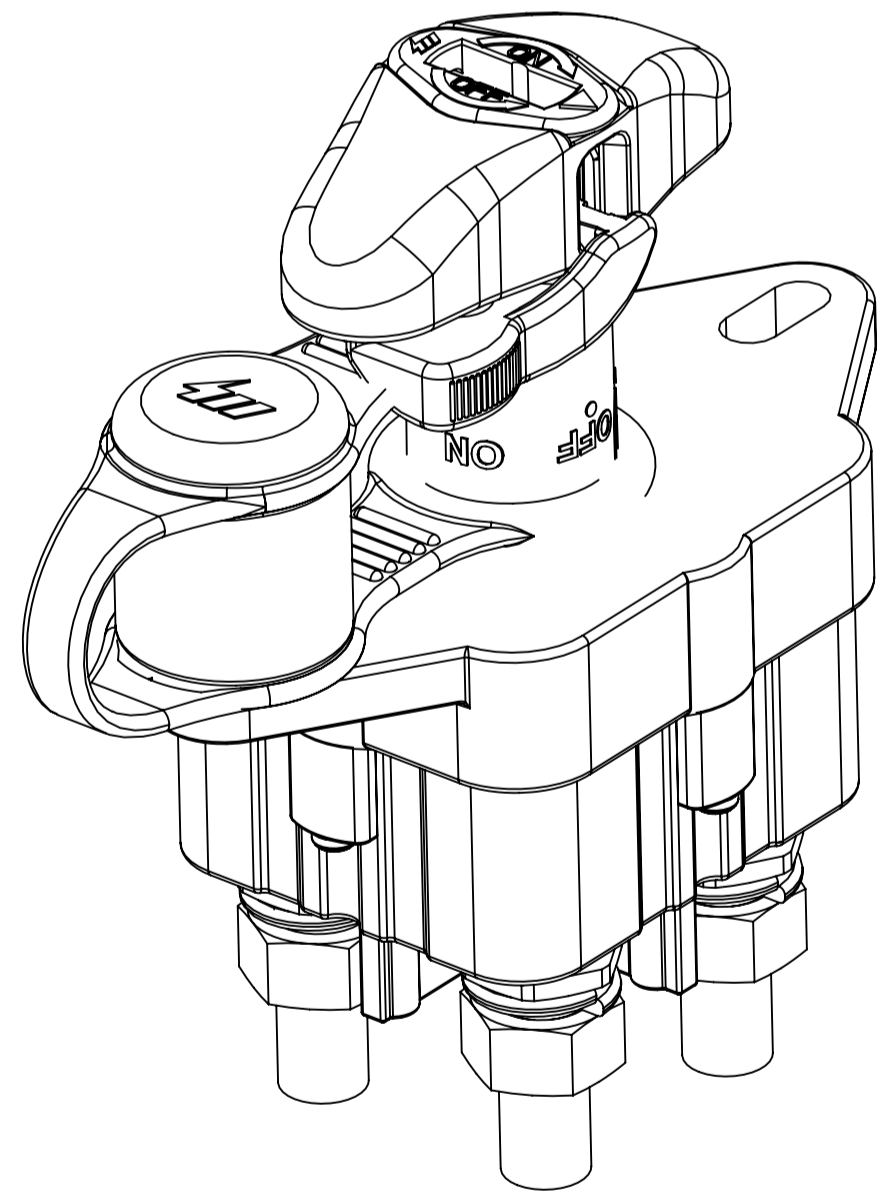
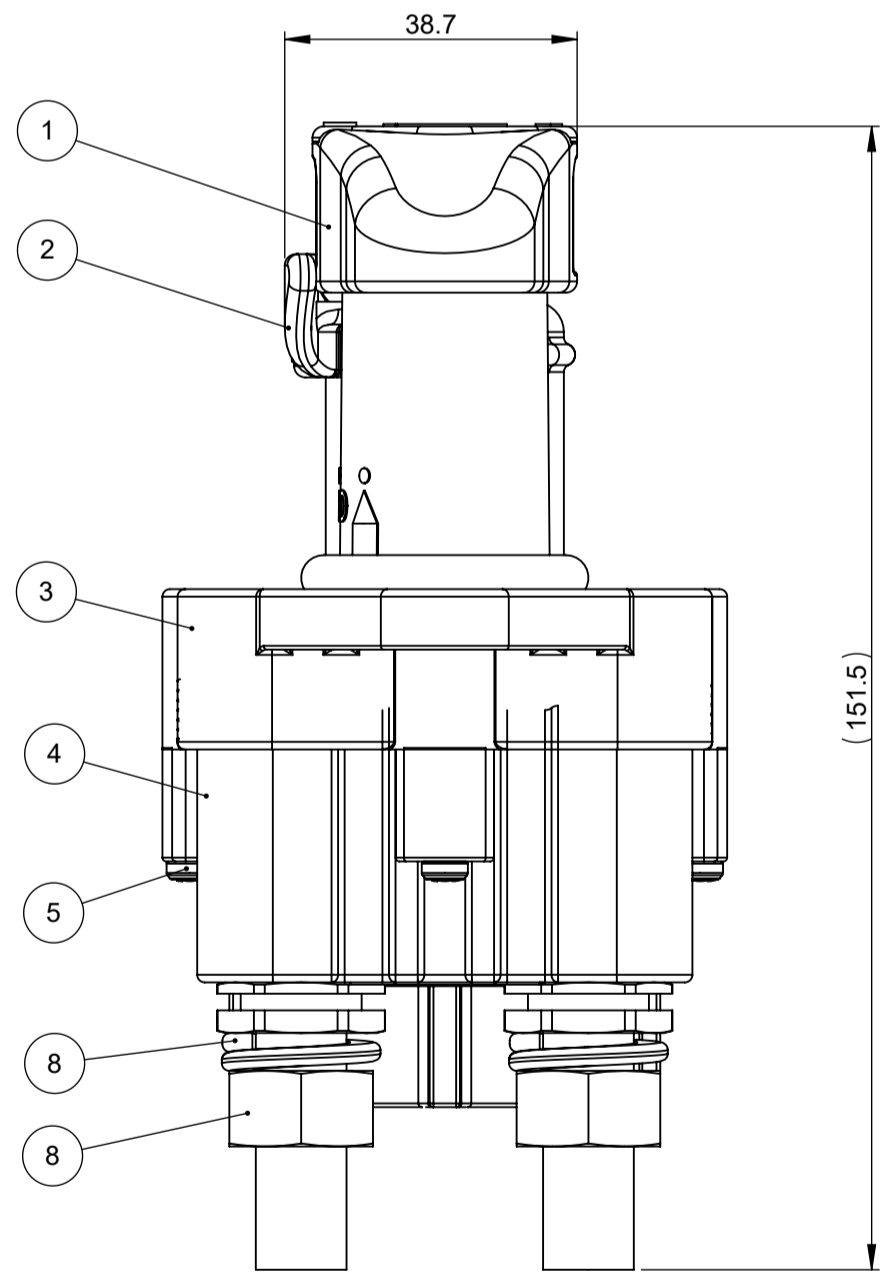
STATE OF SUPPLY

Removable handle in OFF position

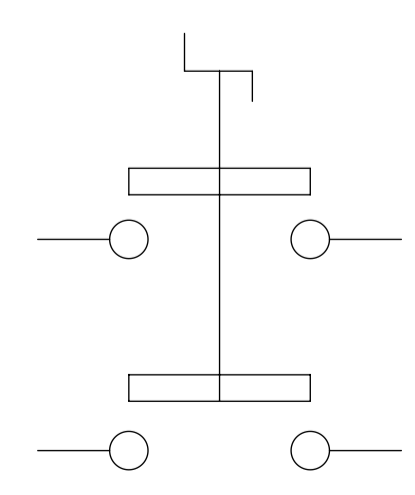
Removable handle in ON position

Insert of the removable handle

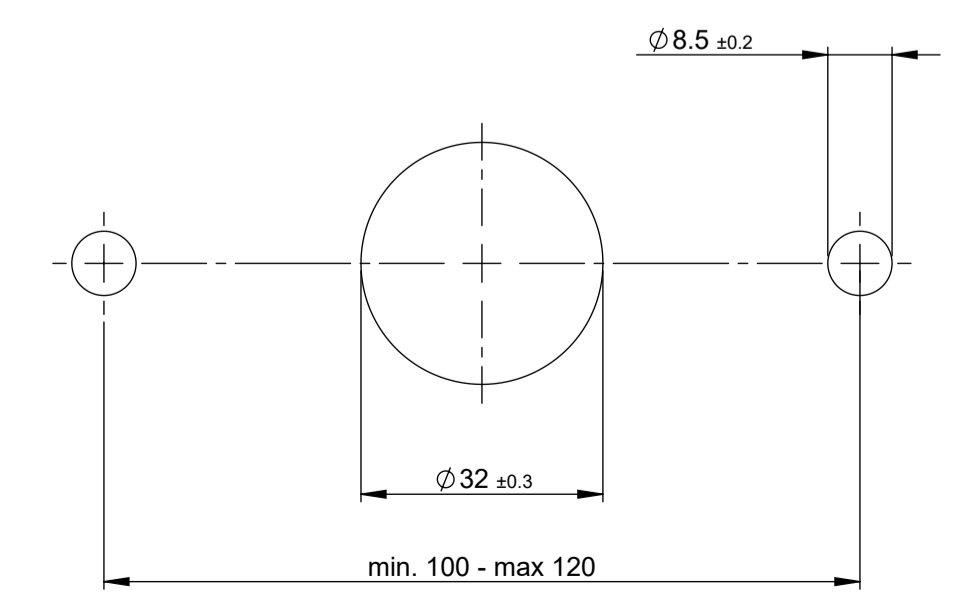
Not removable handle in OFF position



SCHEMA ELETTRICO
Electrical diagram



FIXING HOLES



- ELECTRICAL CHARACTERISTICS**
- Working voltage range: from 8V to 34V
 - Working permanent current: 200A
 - Maximum permanent current: 500A for 4h
 - Maximum current 1500A for 10s
 - Minimum current: 30mA
 - Voltage drop max 200mV at 250A
 - Insulation resistance min 10 Mohm
 - Discharge voltage min 1000V
 - Cable cross-section 8x120 mm² min

- MECHANICAL ENVIRONMENTAL CHARACTERISTICS**
- Number of mechanical and electrical operations: 5.000
 - Max handle locking torque recommended: 7Nm
 - In "NOT REMOVABLE HANDLE" configuration, the max torque from "OFF" to "removable position" is 2.5 Nm
 - Screws recommended to fix the chassis M8 with locking torque of 8 ± 1.5 Nm and with elastic washers and plain washers against the plastic
 - Screwing torque on main contacts M12 = 18 ± 4 Nm
 - Diameter of padlock shackle section = 4.2-4.5 Nm

USING

- For every operation, must push click block button
- Closing contacts: turn in a clockwise direction for 90°
- Opening contacts: turn in a counter-clockwise direction for 90°
- Removable-not removable handle: to have not removable handle mount the handle and turn 180° the green insert on its top
- Lock out by padlock: a padlock can be used for lock out the IGC in ON position or OFF position or UNLOCKED POSITION (parking padlock)
- Handle removed: When the handle is removed it is necessary to apply the rubber cap for prevent the ingress of the water
- When the cap is not used it is necessary to close on itself, as shown on the drawing, to prevent accumulation water inside.

TESTING

- To test characteristics according Littelfuse CPP00003 test specifications

△: provided in the kit

SAP drawing number:

Material and treatments:

POS.	P/N	DESCRIPTION	MATERIAL	Q.TY	U/M
8	△	Washers and nuts		4	EA
7	△	Rubber cap	Rubber	1	EA
6		Contacts M12	Copper	4	EA
5		Screw self-threading 3.5x25	Steel	4	EA
4		Lower housing	Thermoplastic	1	EA
3		Upper housing	Thermoplastic	1	EA
2		Safety button	Thermoplastic	1	EA
1		Handle	Thermoplastic	1	EA

DIMENSIONS AND TOLERANCES IN MILLIMETERS, DEFINED ACCORDING TO ISO 1101:2017.

linear dimensions						
0,5	>3	>6	>30	>120	>400	>1000
±0,2	±0,3	±0,5	±0,8	±1,2	±2	±3

angle (for range of lengths)

up to	>10	>50	>120	>400
±1°30'	±1°	±0°30'	±0°15'	±0°15'

● FIT/FUNCTION CRITICAL CHARACTERISTICS SYMBOL
 <S> SAFETY/ COMPLIANCE CRITICAL CHARACTERISTICS SYMBOL
 CPK DENOTES CPK DIMENSIONS MINIMUM CPK VALUE
 (ST) DENOTES A CHARACTERISTIC THAT PROVIDES AN INDICATION OF PROCESS PERFORMANCE PROCEDURE FOR MEASUREMENT AND TRACKING TO BE DEFINED IN LITTELFUSE INSPECTION INSTRUCTIONS
 CP DENOTES CP DIMENSIONS. MINIMUM CP VALUE MUST BE WITHIN THE DIMENSIONAL LIMITATIONS SHOWN ON DRAWING AND INITIALLY LOCATED TO ALLOW FOR MAXIMUM TOOL LIFE

NAME	DATE
L. Dal Molin	14-Apr-21

Littelfuse
Expertise Applied Answers Delivered

FORM NO. CPP-READ-2013 REV. A
 FIRST ANGLE PROJECTION
 TITLE: BIPOLAR IGC 4xM12 - 500A
 SIZE: A1 DWG. NO. OL-08084400
 DO NOT SCALE DRAWING SCALE 1:1 SHEET 1 OF 1