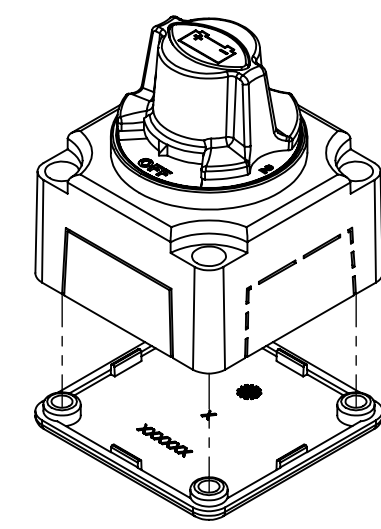
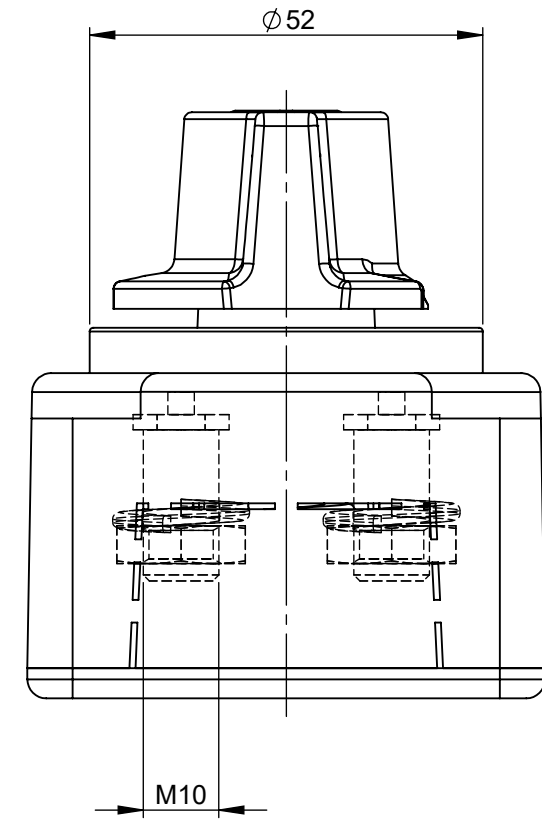
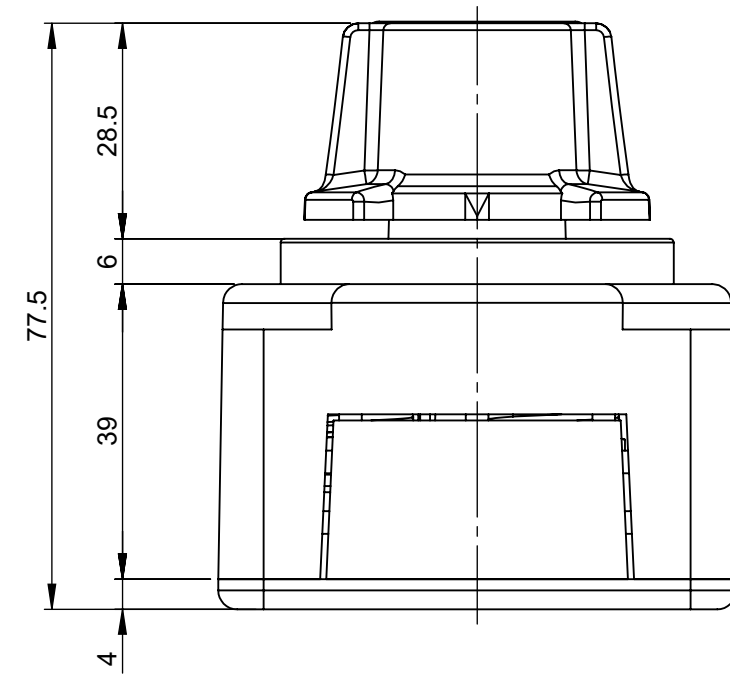
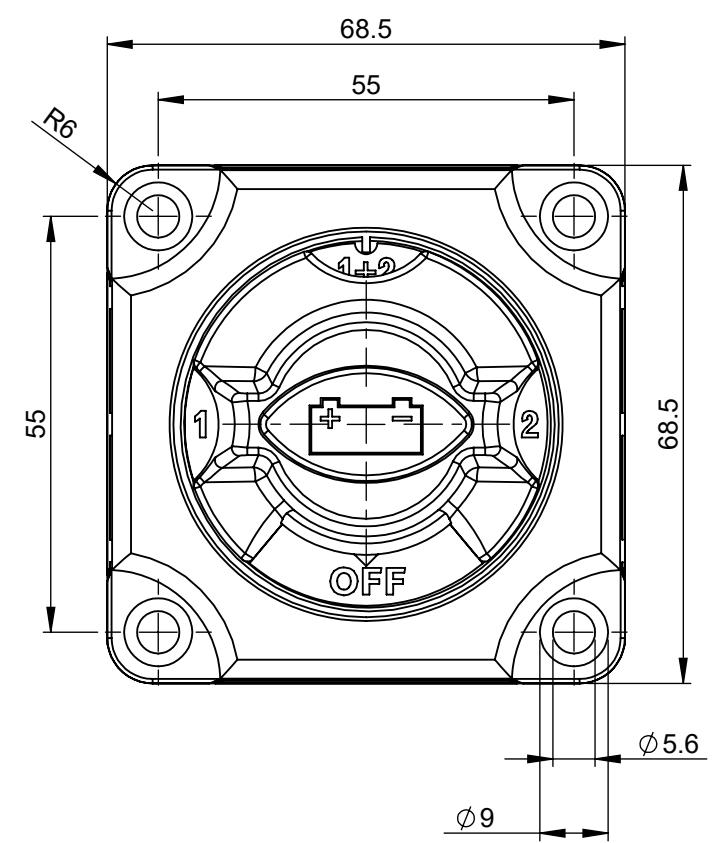


THIS DRAWING AND THE INFORMATION CONTAINED WITHIN IT ARE CONFIDENTIAL AND MAY NOT BE COPIED OR DISCLOSED WITHOUT THE WRITTEN PERMISSION OF LITTELFUSE.

REVISIONS				
REV.	DESCRIPTION	DATE	DESIGNED	APPROVED
A	First issue of outline drawing	20-May-20	L.Dal Molin	M.Tinto



SCALE 1:2



TECHNICAL DATA

- Nominal tension: 24V
- Maximum continuous operating current: 300A
- Highest load 1000A for 5 sec
- Copper contacts M10
- Brass nuts M10

SAP drawing number:

Material and treatments:

DIMENSIONS AND TOLERANCES IN MILLIMETERS, DEFINED ACCORDING TO ISO 1101-2017.

linear dimensions						
0,5	>3	>6	>30	>120	>400	>1000
3	6	30	120	400	1000	2000
±0,2	±0,3	±0,5	±0,8	±1,2	±2	±3

angle (for range of lengths)			
up to	>10	>50	>120
10	50	120	400
±1°30'	±1°	±0°30'	±0°15'

●	FIT/ FUNCTION CRITICAL CHARACTERISTICS SYMBOL
<S>	SAFETY/ COMPLIANCE CRITICAL CHARACTERISTICS SYMBOL
CPK	DENOTES CPK DIMENSIONS MINIMUM CPK VALUE
ST	DENOTES A CHARACTERISTIC THAT PROVIDES AN INDICATION OF PROCESS PERFORMANCE. PROCEDURE FOR MEASUREMENT AND TRACKING TO BE DEFINED IN LITTELFUSE INSPECTION INSTRUCTIONS
CP	DENOTES CP DIMENSIONS, -MINIMUM CP VALUE MUST BE WITHIN THE DIMENSIONAL LIMITATIONS SHOWN ON DRAWING AND INITIALLY LOCATED TO ALLOW FOR MAXIMUM TOOL LIFE

DRAWN	L. Dal Molin	02-Apr-19	<p>Littelfuse Expertise Applied Answers Delivered</p>
CHECKED	-	-	
-	-	-	
FORM NO: CVP-PE40-0013 REV A			TITLE
FIRST ANGLE PROJECTION			MARINE MANUAL BDS 24V (OFF-1-BOTH-2)
DO NOT SCALE DRAWING			SIZE: A3 DWG. NO. OL-08080900 OUTLINE REV. A SCALE 1:1 SHEET 1 OF 1