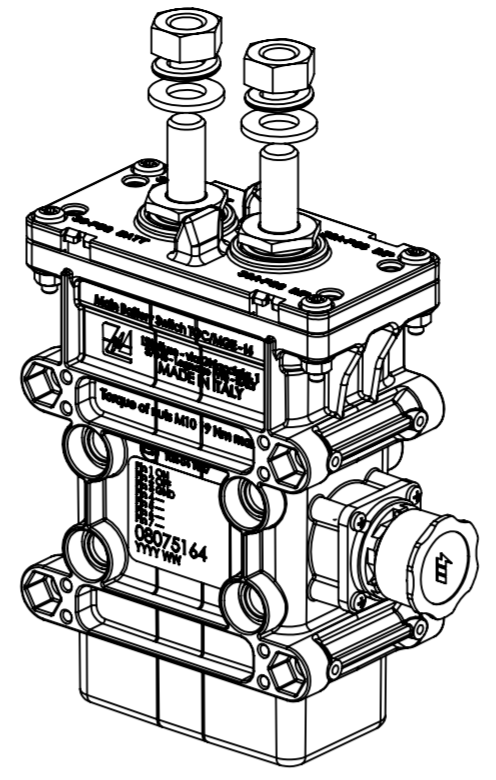
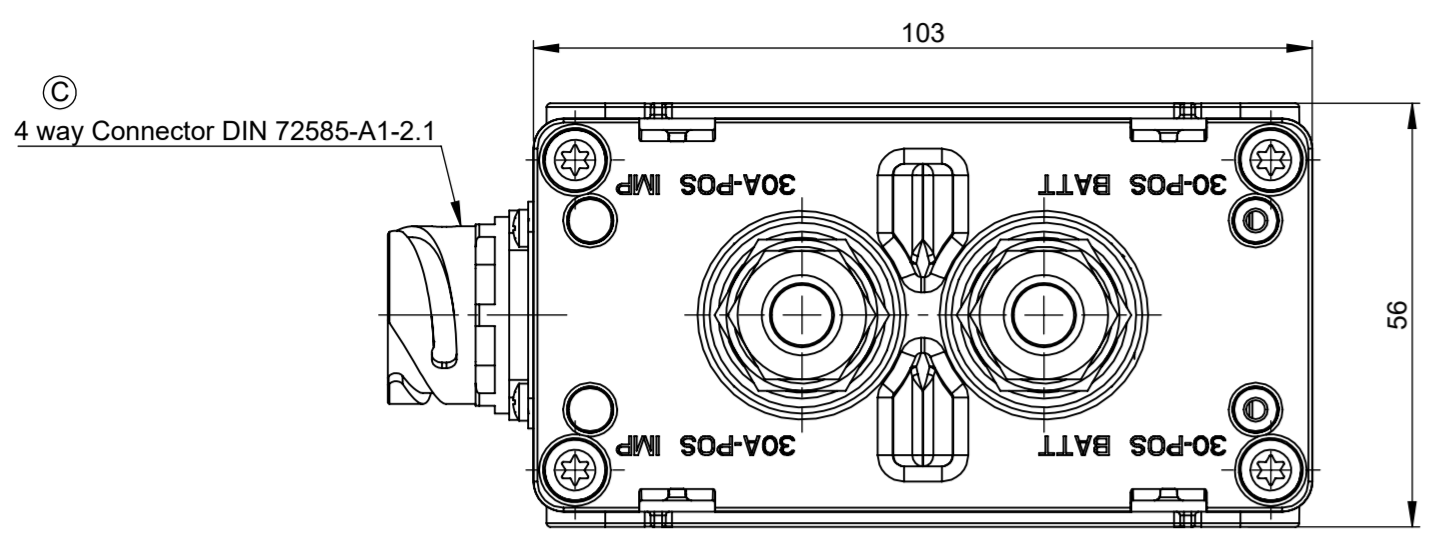
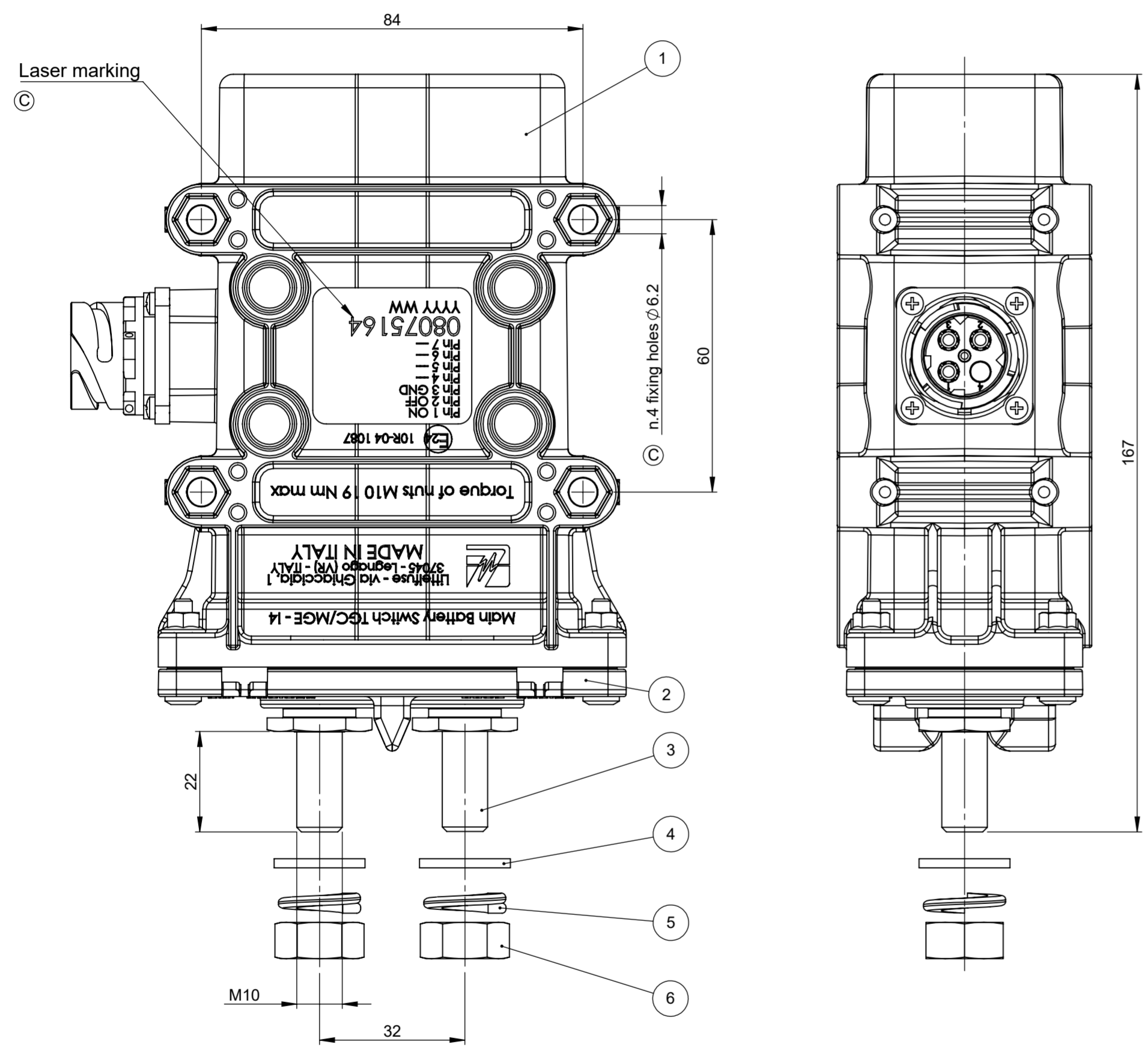
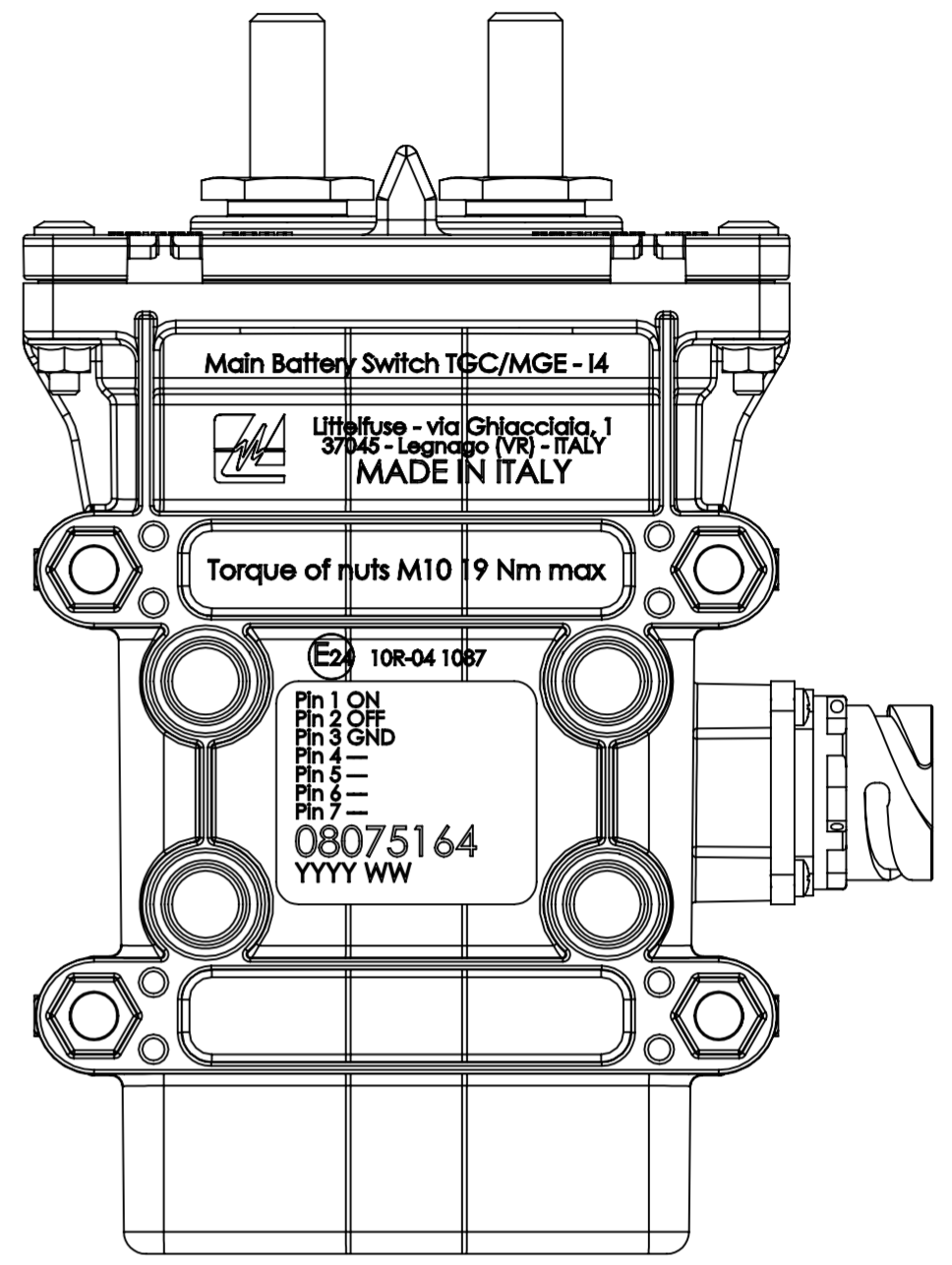


THIS DRAWING AND THE INFORMATION CONTAINED WITHIN IT ARE CONFIDENTIAL AND MAY NOT BE COPIED OR DISCLOSED WITHOUT THE WRITTEN PERMISSION OF LITTELFUSE.

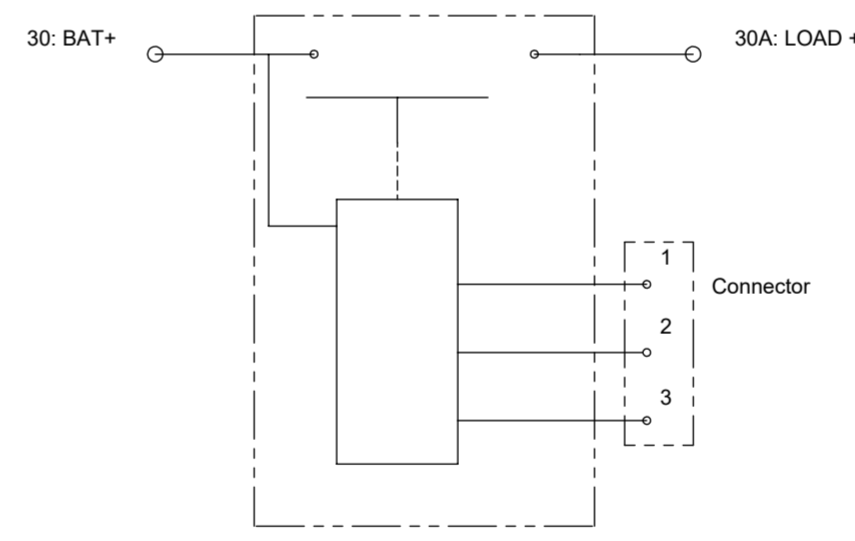
REVISIONS		DATE	DESIGNED	APPROVED
REV. A	1st issue	19-Apr-19	Dal Molin	Tinto
REV. B	Removed IP degree and working temperature	07-Feb-20	Dal Molin	Tinto
REV. C	Removed label n. serial and added new marking on the TGC box. Added notes and view for laser marking	13-Apr-21	Dal Molin	Tinto



SCALE 1 : 2



Electrical diagram



BOM#	COMPONENT NAME	QUANTITY/M	U/M
7	Plug	1	EA
6	Nut M10	2	EA
5	Spring washer	2	EA
4	Plane washer	2	EA
3	Power stud	2	EA
2	Contact-holder cover	1	EA
1	Connector box	1	EA

- NOTES**
- Test specifications: Littelfuse CPP00047
 - Torque of screw M10 = 18 ± 1 Nm
 - Fix the device with M6 screw and with torque of 6±2 Nm
 - Nuts and bolts supplied on kit Littelfuse p/N 10843650

- Characteristic:**
- Nominal working tension: 12V + 24V
 - Nominal working current: 500A (1h, at 23°C, with cables size of 90 mm² minimum)
 - Nominal max current main contact: 2000A for 5 sec. at 23±5°C
 - Number of mechanical operations: 150.000
 - Number of electrical operations: 50.000

SAP drawing number: 10000108502

Material and treatments:

PIN connector	connected to	Main contact
1	floating	OFF
2	GND	
3	GND	

PIN connector	connected to	Main contact
1	GND	ON
2	floating	
3	GND	

DIMENSIONS AND TOLERANCES IN MILLIMETERS, DEFINED ACCORDING TO ISO 1101-2017.

linear dimensions						
0,5	>3	>6	>30	>120	>400	>1000
3	6	30	120	400	1000	2000
±0,2	±0,3	±0,5	±0,8	±1,2	±2	±3

angle (for range of lengths)				
up to 10	>10	>50	>120	>400
±1°30'	±1°	±0°30'	±0°15'	

● FITI/ FUNCTION CRITICAL CHARACTERISTICS SYMBOL
 <S> SAFETY/ COMPLIANCE CRITICAL CHARACTERISTICS SYMBOL
 CPK DENOTES CPK DIMENSIONS MINIMUM CPK VALUE
 (ST) DENOTES A CHARACTERISTIC THAT PROVIDES AN INDICATION OF PROCESS PERFORMANCE. PROCEDURE FOR MEASUREMENT AND TRACKING TO BE DEFINED IN LITTELFUSE INSPECTION INSTRUCTIONS
 CP DENOTES CP DIMENSIONS. MINIMUM CP VALUE MUST BE WITHIN THE DIMENSIONAL LIMITATIONS SHOWN ON DRAWING AND INITIALLY LOCATED TO ALLOW FOR MAXIMUM TOOL LIFE

NAME	DATE
DRAWN L. Dal Molin	19-Apr-19
CHECKED -	-
-	-
-	-

Littelfuse
 Expertise Applied | Answers Delivered

FORM NO. CVP-PE40-0013 REV A
 FIRST ANGLE PROJECTION
 TITLE: ELECTRICAL BDS 500A 12/24 - TGC/MGE-I4
 SIZE: A2 DWG. NO. OL-08075164 OUTLINE REV. C
 DO NOT SCALE DRAWING SCALE 1:1 SHEET 1 OF 1