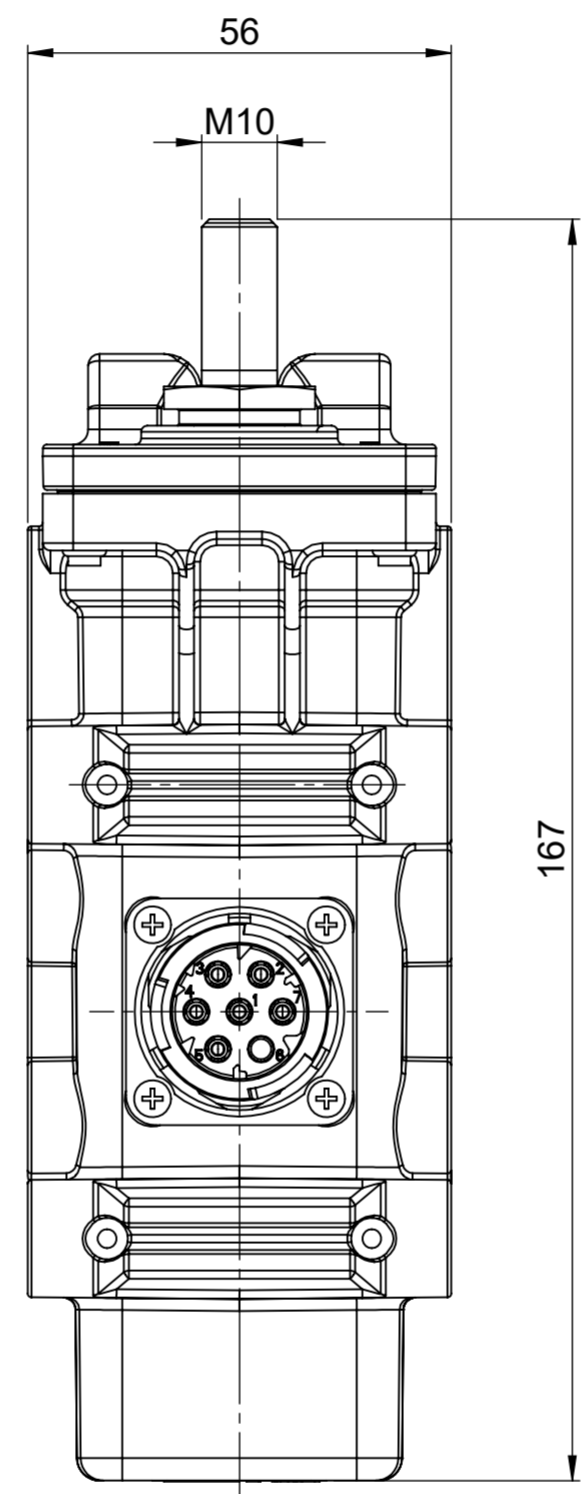
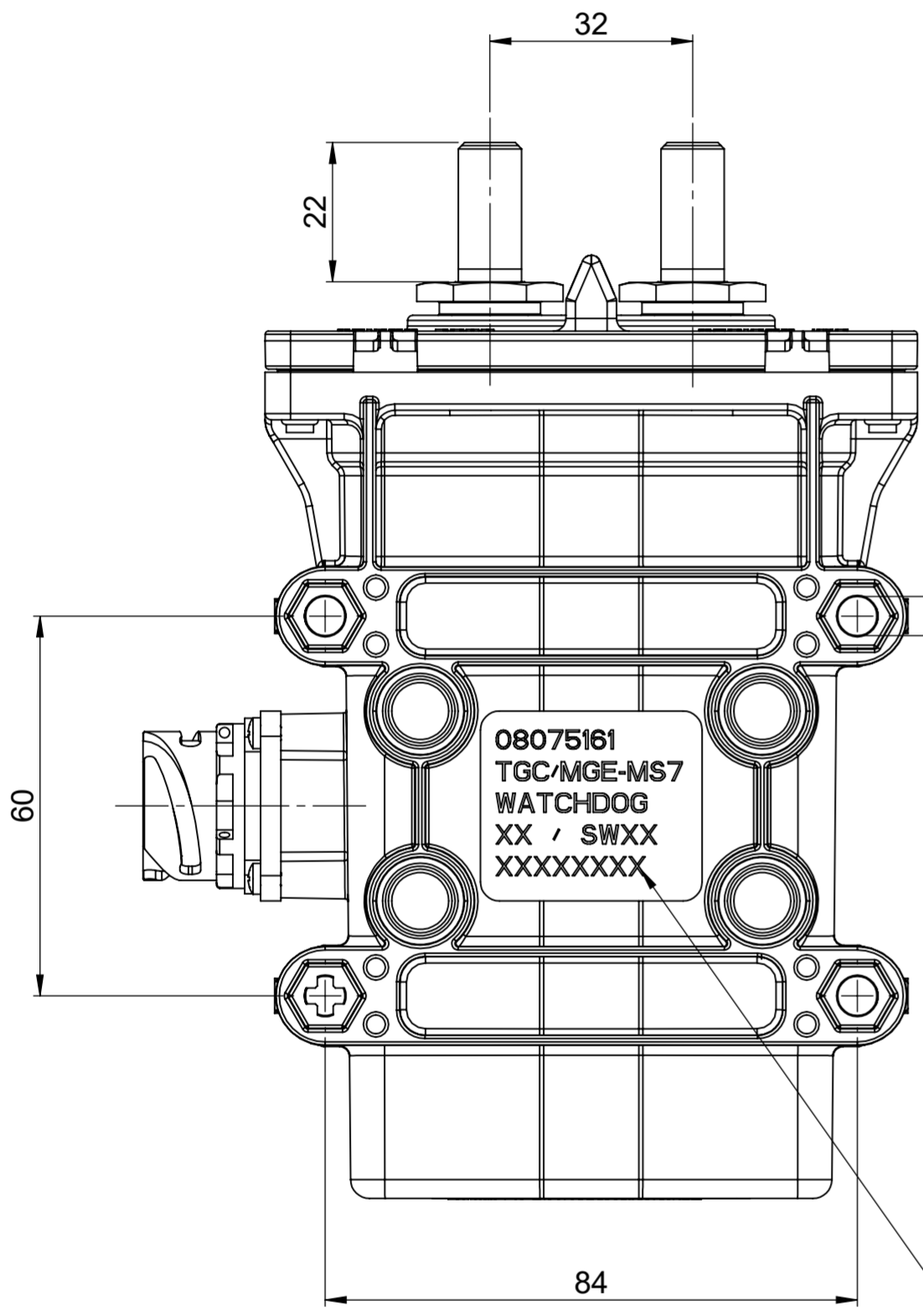
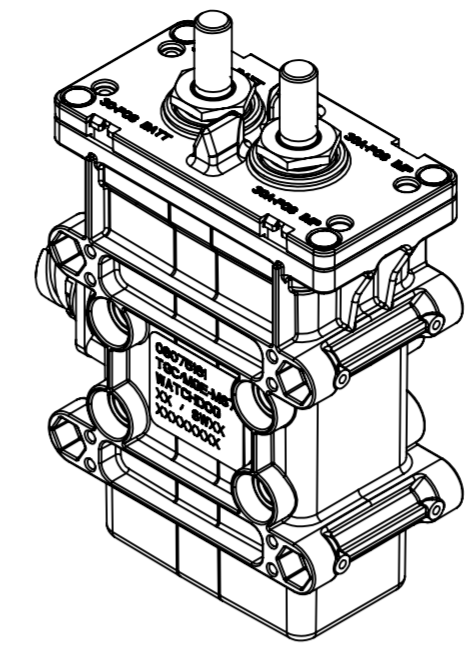
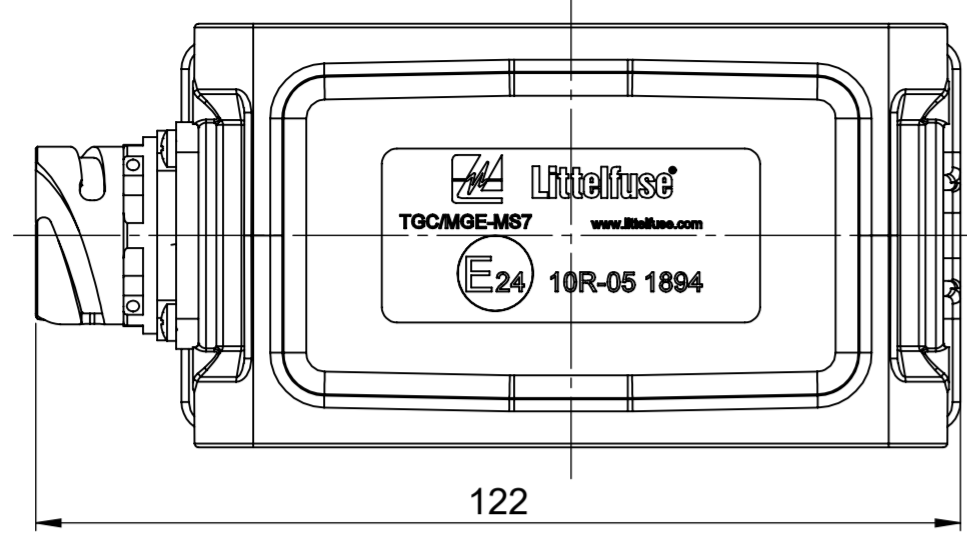


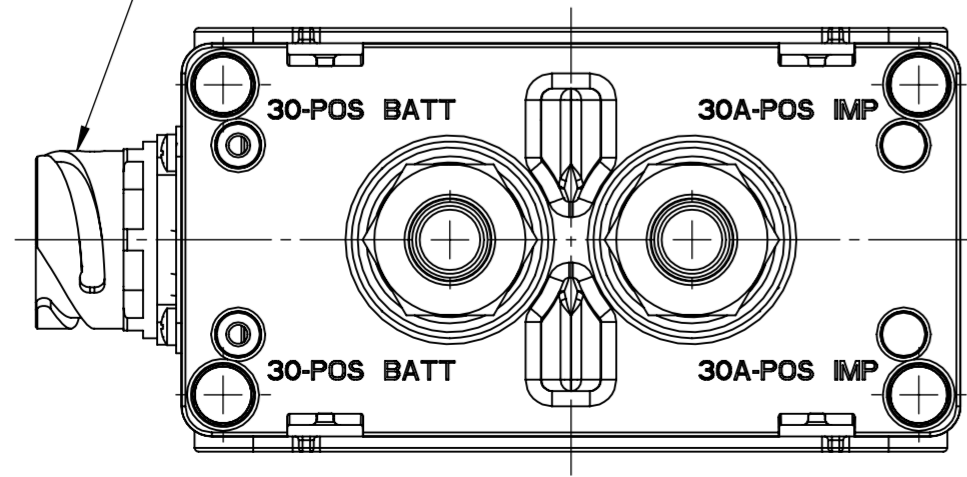
THIS DRAWING AND THE INFORMATION CONTAINED WITHIN IT ARE CONFIDENTIAL AND MAY NOT BE COPIED OR DISCLOSED WITHOUT THE WRITTEN PERMISSION OF LITTELFUSE.

| REVISIONS | | DATE | DESIGNED | APPROVED |
|-----------|--------------------------------|------------|-----------|----------|
| REV. | DESCRIPTION | | | |
| A | FIRST ISSUE OF OUTLINE DRAWING | 15-June-20 | Gasparini | Tinto |



Markinh showing:
 -Code IVECO
 -Code LITTELFUSE
 -Manufacturing date according to LITTELFUSE standard
 -Code IVECO
 -LITTELFUSE production progressive code

Connector DIN 72585-A1-7 ways



PRESCRIPTIONS:

- Torque of screw M10= 19Nm max
- Fix the device with M6 screws and with torque of 6 ± 2 Nm
- Nuts and bolts supplied on the kit LITTELFUSE code 10844041

CHARACTERISTICS:

- Nominal working tension: 11 - 28.5 V
- Nominal working current: 10A
- Nominal working current main contacts: 500 A (1h at 23°C)
- Nominal max current main contact: 2000A for 5 sec
- External emergency switch - LITTELFUSE code 00227000

SAP drawing number:

Material and treatments:

| DIMENSIONS AND TOLERANCES IN MILLIMETERS, DEFINED ACCORDING TO ISO 1101-2017. | | | | | | |
|---|---|----------------------|--------|--|-------|-------|
| linear dimensions | | | | | | |
| 0,5 | >3 | >6 | >30 | >120 | >400 | >1000 |
| 3 | 6 | 30 | 120 | 400 | 1000 | 2000 |
| ±0,2 | ±0,3 | ±0,5 | ±0,8 | ±1,2 | ±2 | ±3 |
| angle (for range of lengths) | | | | | | |
| up to | >10 | >50 | >120 | >400 | >1200 | >2000 |
| 10 | 50 | 120 | 400 | 1000 | 2000 | |
| ±1°30' | ±1° | ±0°30' | ±0°15' | | | |
| ● | FIT/ FUNCTION CRITICAL CHARACTERISTICS SYMBOL | | | | | |
| <S> | SAFETY/ COMPLIANCE CRITICAL CHARACTERISTICS SYMBOL | | | | | |
| CPK | DENOTES CPK DIMENSIONS MINIMUM CPK VALUE | | | | | |
| ST | DENOTES A CHARACTERISTIC THAT PROVIDES AN INDICATION OF PROCESS PERFORMANCE. PROCEDURE FOR MEASUREMENT AND TRACKING TO BE DEFINED IN LITTELFUSE INSPECTION INSTRUCTIONS | | | | | |
| CP | DENOTES CP DIMENSIONS. MINIMUM CP VALUE MUST BE WITHIN THE DIMENSIONAL LIMITATIONS SHOWN ON DRAWING AND INITIALLY LOCATED TO ALLOW FOR MAXIMUM TOOL LIFE | | | | | |
| NAME | | DATE | | Expertise Applied Answers Delivered | | |
| DRAWN | | L. Dal Molin | | | | |
| CHECKED | | - | | | | |
| - | | - | | | | |
| FORM NO. CVP-PE40-0013 REV A | | | | TITLE | | |
| FIRST ANGLE PROJECTION | | | | Electrical BDS | | |
| SIZE: A2 | | DWG. NO. OL-08075161 | | OUTLINE REV. A | | |
| DO NOT SCALE DRAWING | | SCALE 1:1 | | SHEET 1 OF 1 | | |