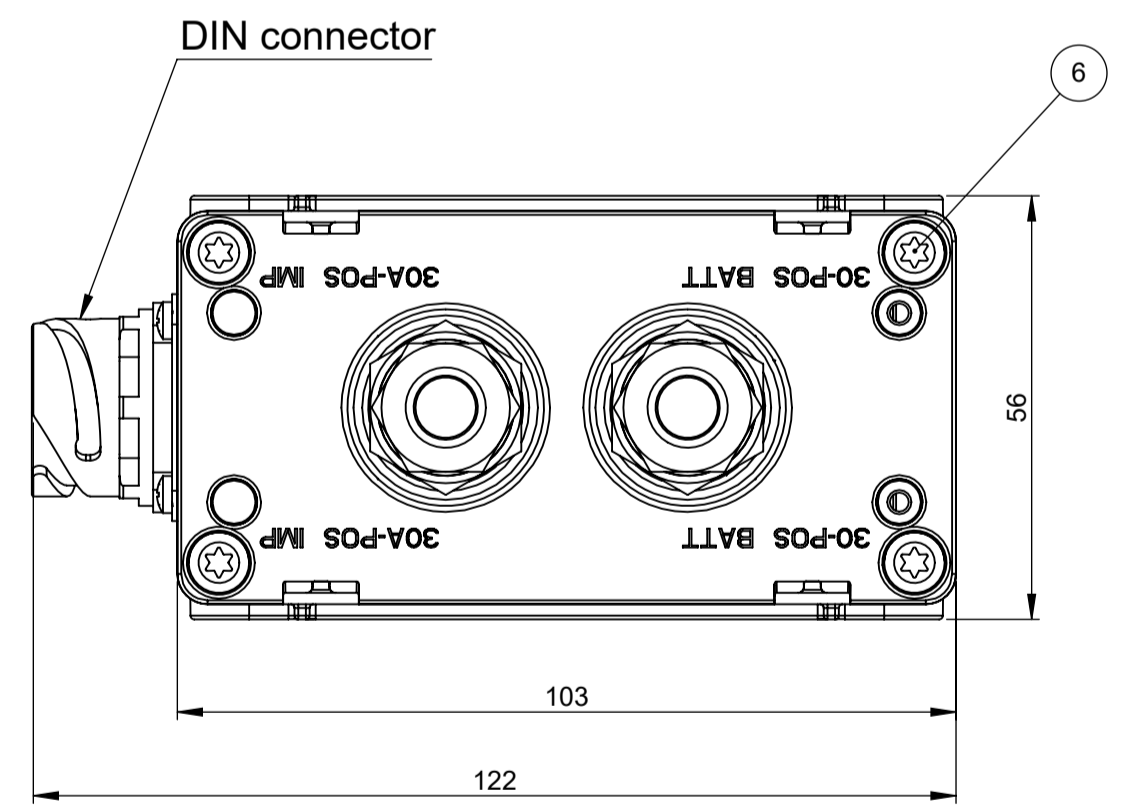
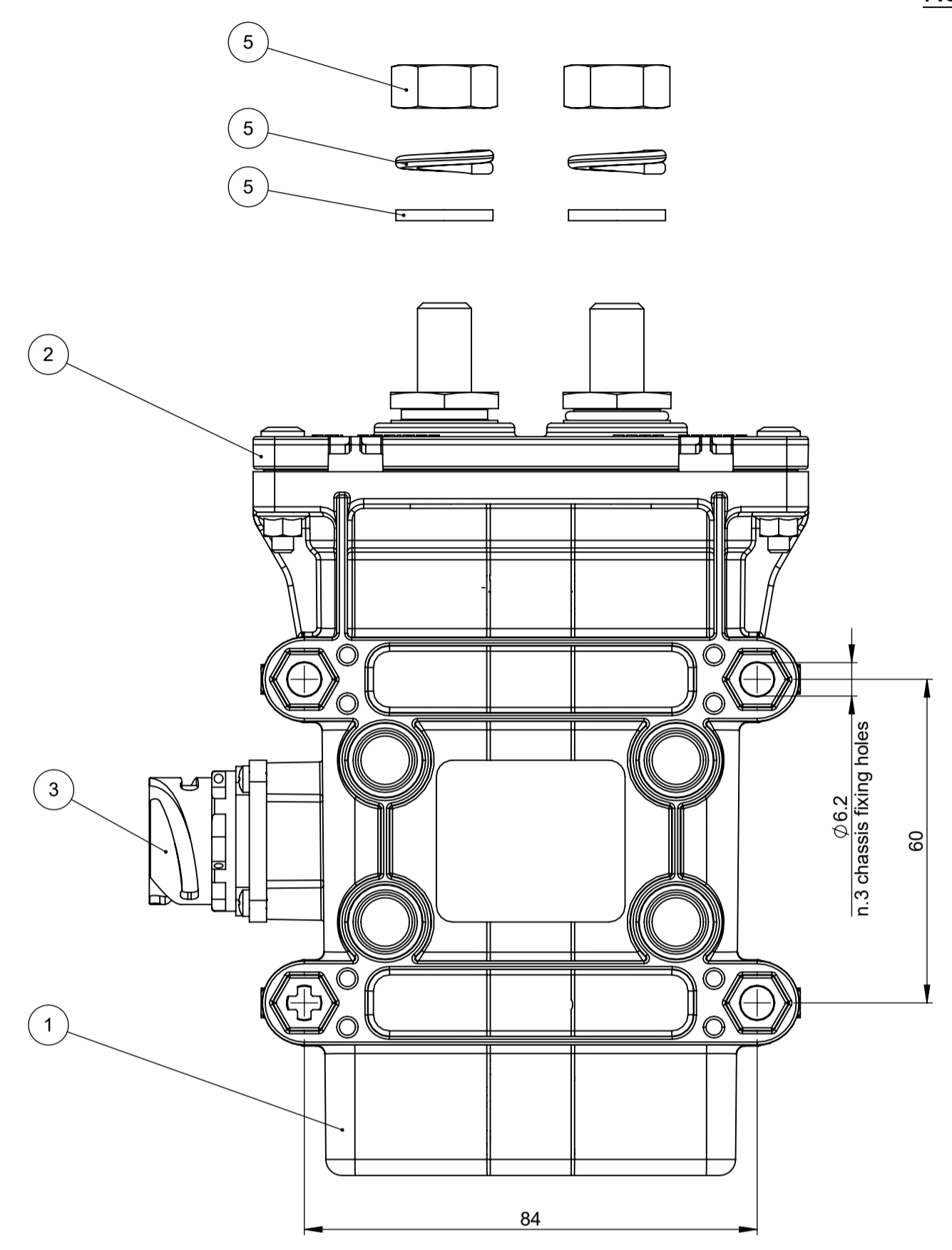
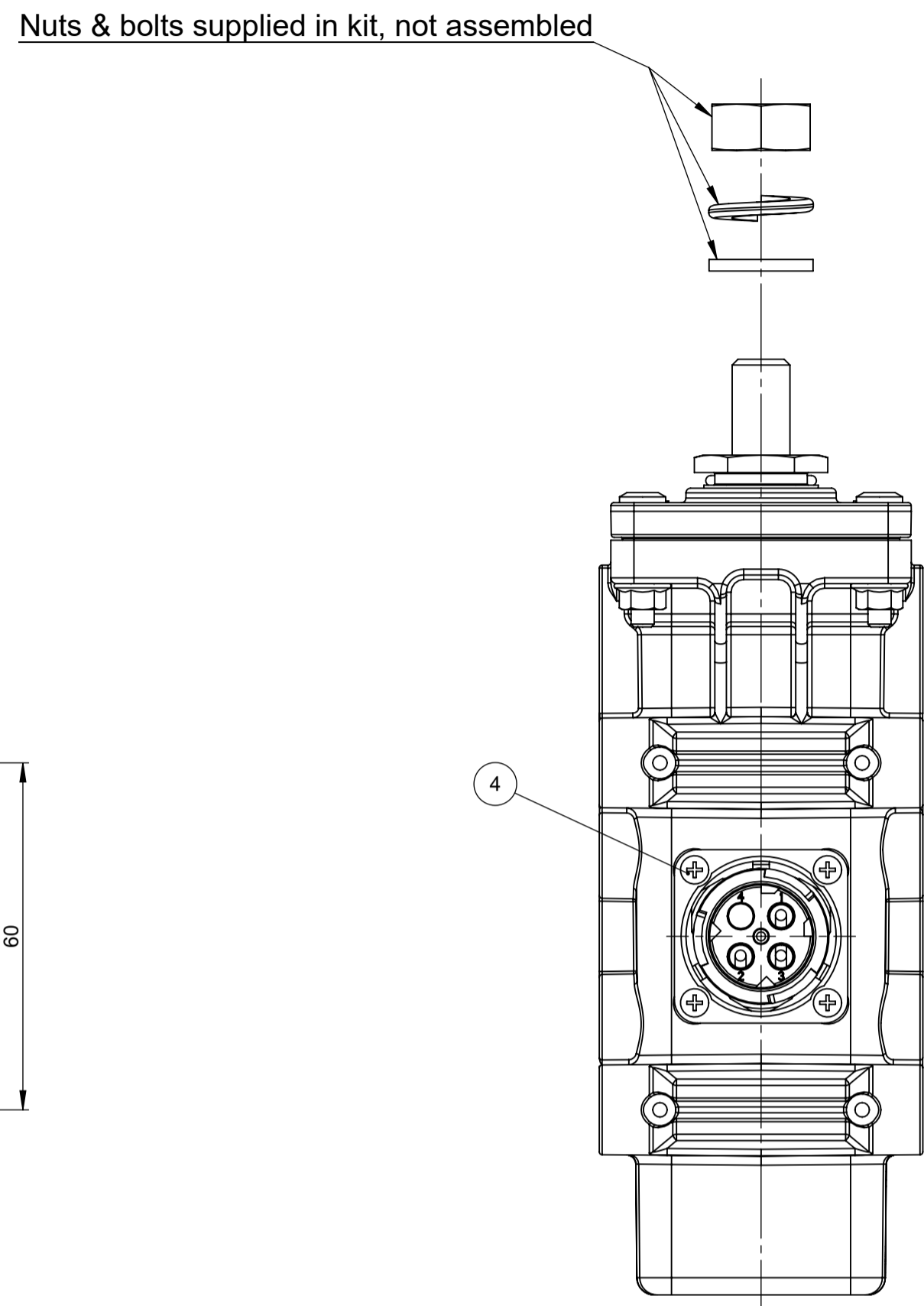
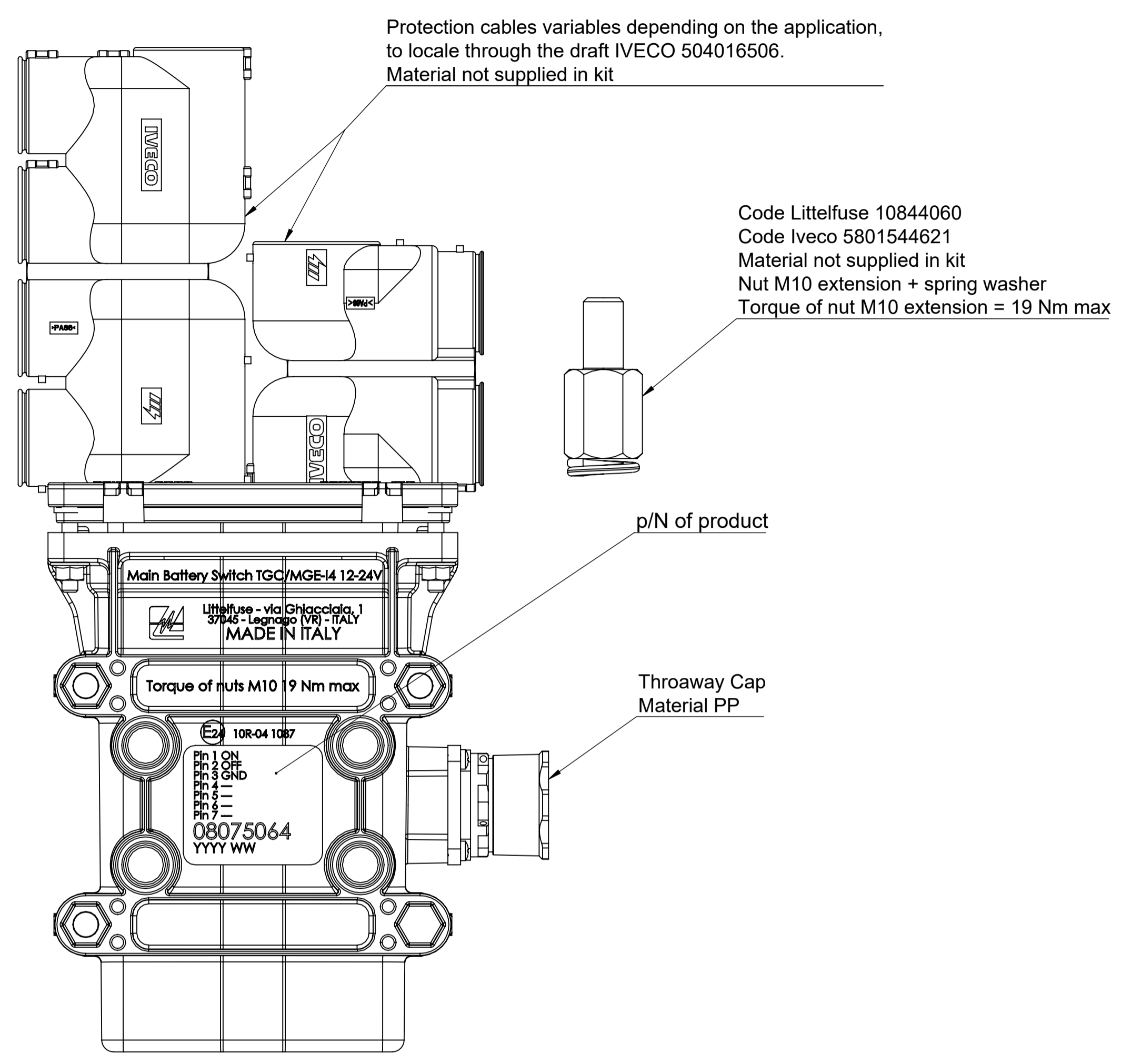


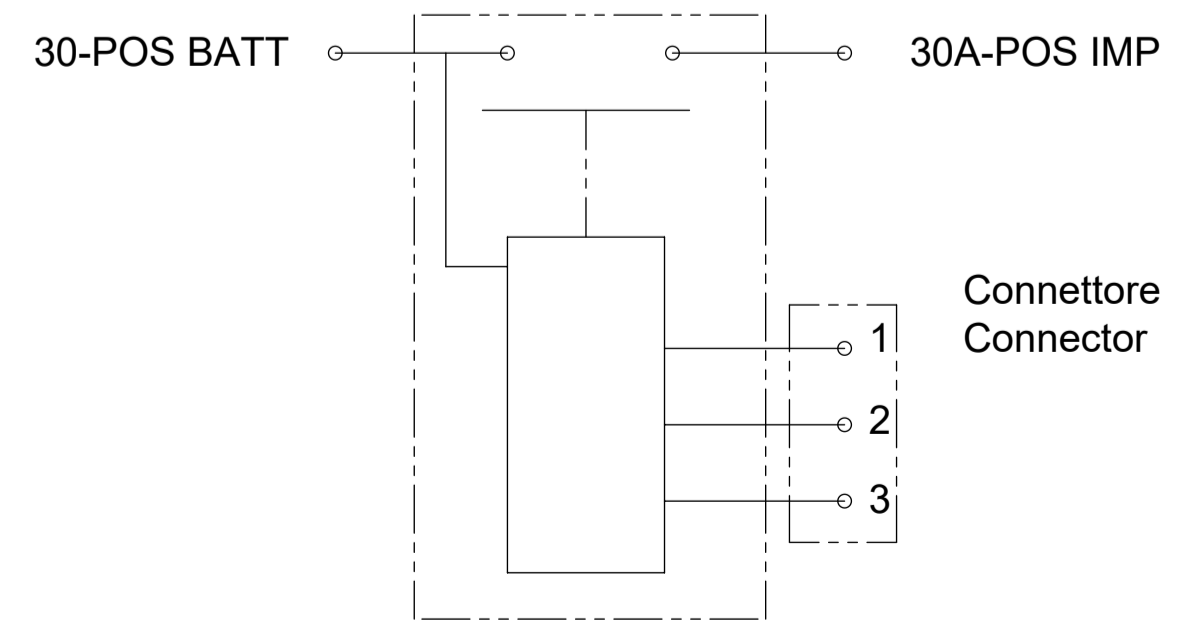
REV.		DESCRIPTION	DATE	GCF / ECR	DESIGNED	APPROVED
A	Initial Release		02-May-22		L.Dal Molin	M.Tinto

EXAMPLE OF SET UP WITH NUT M10 EXTENSION



POS.	DESCRIPTION	MATERIAL	Q.TY	U/M
1	Box	PBT	1	EA
2	Top cover complete	-	1	EA
3	Body connector	PBT	1	EA
4	Self-tapping screw 3x12	Stainless steel	1	EA
5	Kit	-	4	EA
6	Screw M4x20	Stainless steel	4	EA

Schema Elettrico
Electrical Diagram



Connettore PIN / Connector	Negativo GND	Contatto principale Main contact
1	floating	OFF
2	GND	
3	GND	

Connettore PIN / Connector	Negativo GND	Contatto principale Main contact
1	GND	ON
2	floating	
3	GND	

PRESCRIPTION
 - Torque of screw M10 = 19 Nm max
 - Fix the device with M6 screw and with torque of 6 ± 2 Nm

CHARACTERISTICS
 - Nominal working voltage: 12 / 24 V
 - Nominal working voltage range (min/max): 10 - 16 V / 18 - 32 V
 - Nominal working current: 5.2 / 10.4 A
 - Nominal working current range (min/max): 4.3 - 7 A / 7.8 - 13.9 A
 - Nominal working current main contact: 2000 A for 5 sec.

DIMENSIONS AND TOLERANCES IN MILLIMETERS, DEFINED ACCORDING TO ISO 1101-2017.

linear dimensions					
0,5	>3	>6	>30	>120	>400
±0,2	±0,3	±0,5	±0,8	±1,2	±2

angle (for range of lengths)

up to 10	>10	>50	>120	>400
±1°30'	±1°	±0°30'	±0°15'	

CPK DENOTES CPK DIMENSIONS MINIMUM CPK VALUE

CP DENOTES CP DIMENSIONS - MINIMUM CP VALUE MUST BE WITHIN THE DIMENSIONAL LIMITATIONS SHOWN ON DRAWING AND INITIALLY LOCATED TO ALLOW FOR MAXIMUM TOOL LIFE

NAME	DATE
L. Dal Molin	02-May-22

Littelfuse
Expertise Applied | Answers Delivered

FORM NO. CP-RES-2013 REV. A
 FIRST ANGLE PROJECTION
 SCALE: 1:1
 TITLE: TGC/MGE-14 12-24V OUTLET DIN 3-
 WAY
 DWG. NO. OL-08075064
 SHEET 1 OF 1