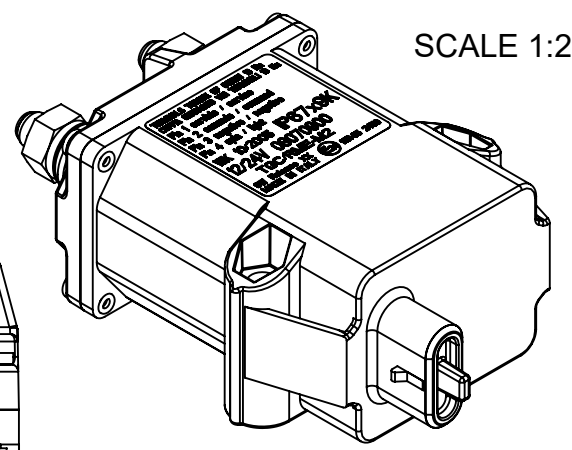
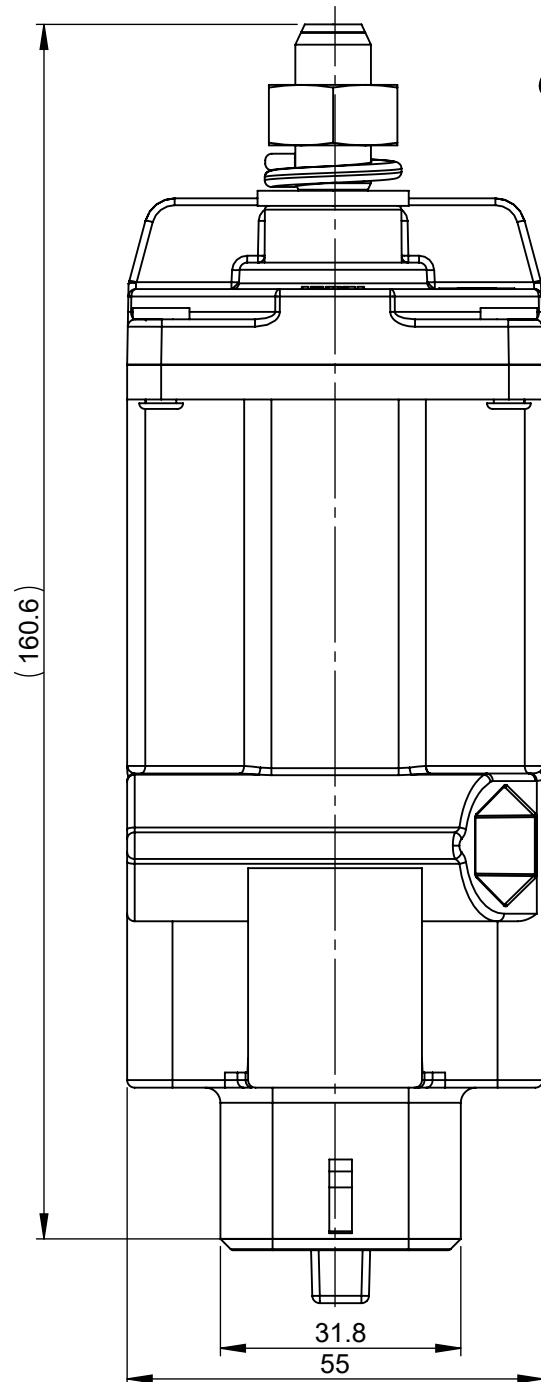
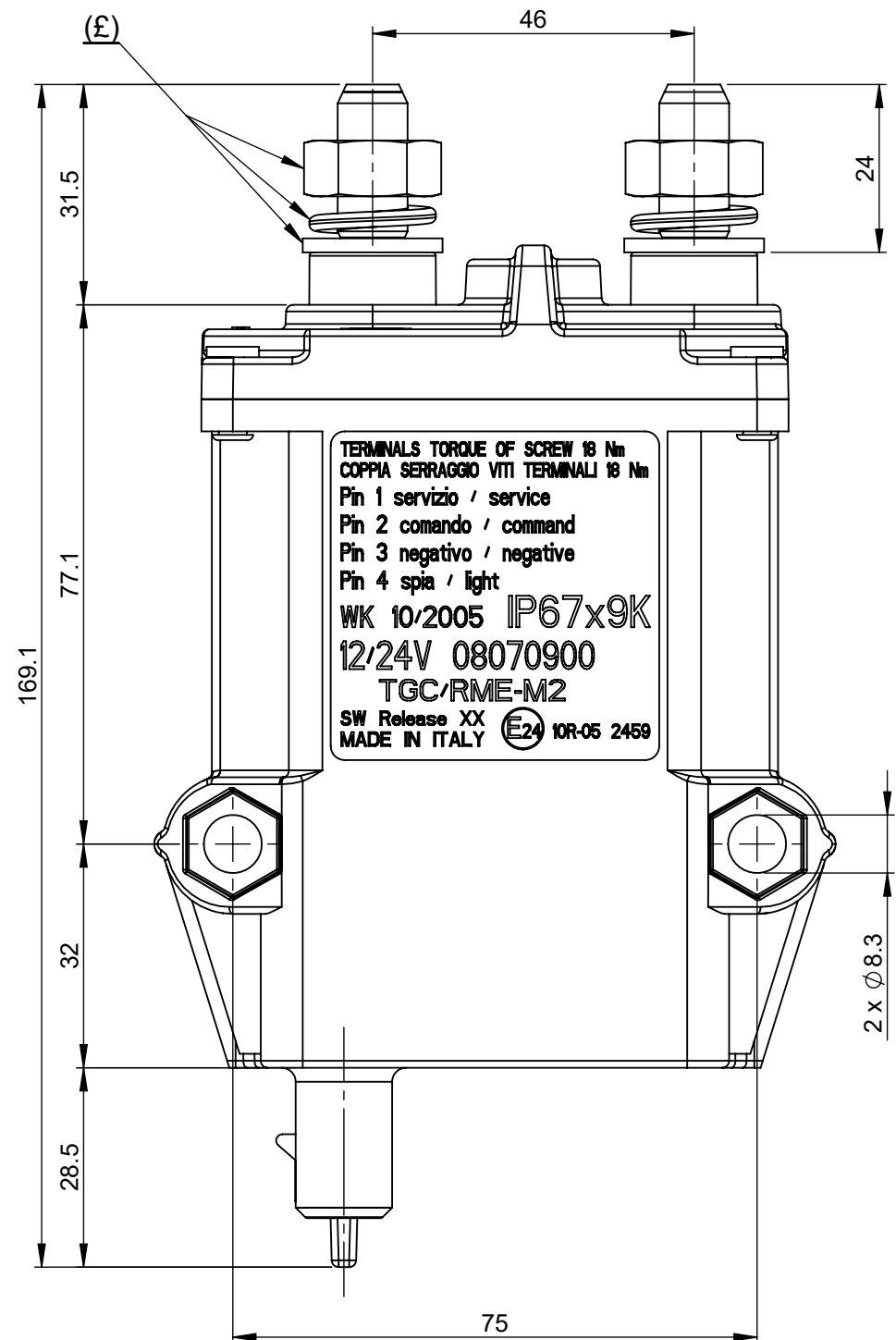
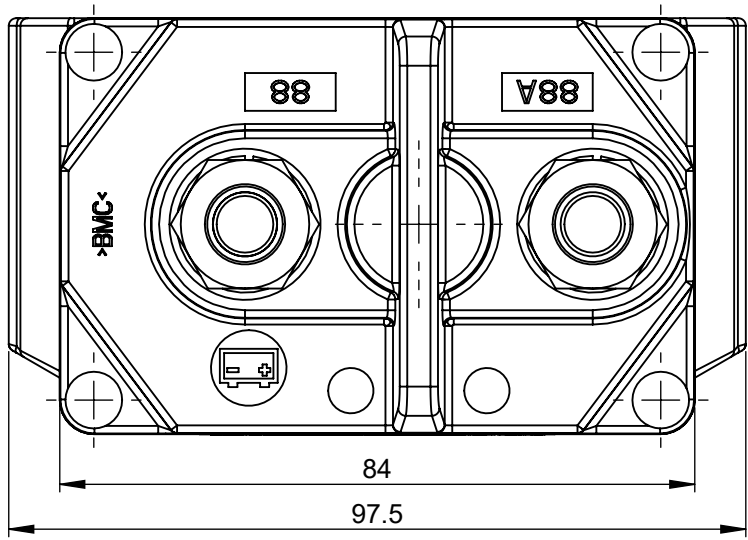
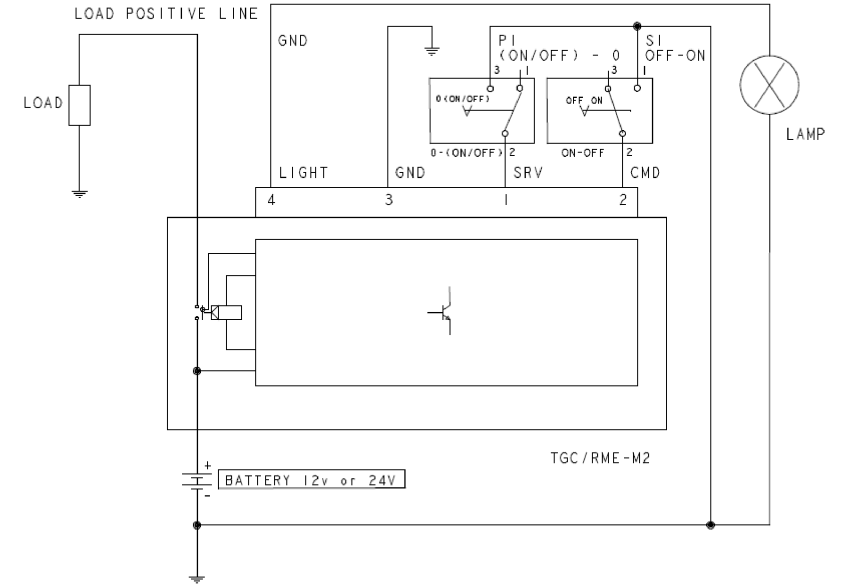


THIS DRAWING AND THE INFORMATION CONTAINED WITHIN IT ARE CONFIDENTIAL AND MAY NOT BE COPIED OR DISCLOSED WITHOUT THE WRITTEN PERMISSION OF LITTELFUSE.

REVISIONS					
REV.	DESCRIPTION	DATE	GCF / ECR	DESIGNED	APPROVED
A	Initial release	17-Jan-23		L.Dal Molin	M.Tinto



SCHEMA ELETTRICO
 Electrical diagram



CHARACTERISTICS

- Amperage: 250A
- Nominal operating voltage: 12-24V
- Voltage range: 8.5V to 32V
- Max cranking current: 800A x 30 sec.
- Max peak current: 2000A x 5 sec.
- Number of mechanical and electrical cycles: 45.000
- Tightening torque of M10 nuts: 18 ± 1 Nm
- (£) Provided in the kit

DIMENSIONS AND TOLERANCES IN MILLIMETERS, DEFINED ACCORDING TO ISO 1101-2017.

linear dimensions						
0,5	>3	>6	>30	>120	>400	>1000
3	6	30	120	400	1000	2000
±0,2	±0,3	±0,5	±0,8	±1,2	±2	±3

angle (for range of lengths)			
up to	>10	>50	>120
10	50	120	400
±1°30'	±1°	±0°30'	±0°15'

●	FIT/ FUNCTION CRITICAL CHARACTERISTICS SYMBOL
<S>	SAFETY/ COMPLIANCE CRITICAL CHARACTERISTICS SYMBOL
CPK	DENOTES CPK DIMENSIONS MINIMUM CPK VALUE
ST	DENOTES A CHARACTERISTIC THAT PROVIDES AN INDICATION OF PROCESS PERFORMANCE. PROCEDURE FOR MEASUREMENT AND TRACKING TO BE DEFINED IN LITTELFUSE INSPECTION INSTRUCTIONS
CP	DENOTES CP DIMENSIONS, -MINIMUM CP VALUE MUST BE WITHIN THE DIMENSIONAL LIMITATIONS SHOWN ON DRAWING AND INITIALLY LOCATED TO ALLOW FOR MAXIMUM TOOL LIFE

NAME	DATE	 Expertise Applied Answers Delivered
DRAWN L. Dal Molin	17 Jan 2023	
CHECKED	-	TITLE
-	-	ELECTRICAL BMS TGC/RME-M2 12V-24V (+)
-	-	FORM NO: CVP-PE40-0013 REV A
-	-	FIRST ANGLE PROJECTION
DO NOT SCALE DRAWING	SCALE 1:1	SIZE: A3 DWG. NO. OL-08070900
		OUTLINE REV. A
		SHEET 1 OF 1